

FOR EDGE GUARD MODELS:

- A528B - BEVEL EDGE
- A528S - SQUARE EDGE
- A538CB - BEVEL EDGE
- A538CS - SQUARE EDGE
- A548TB - BEVEL EDGE
- A548TS - SQUARE EDGE

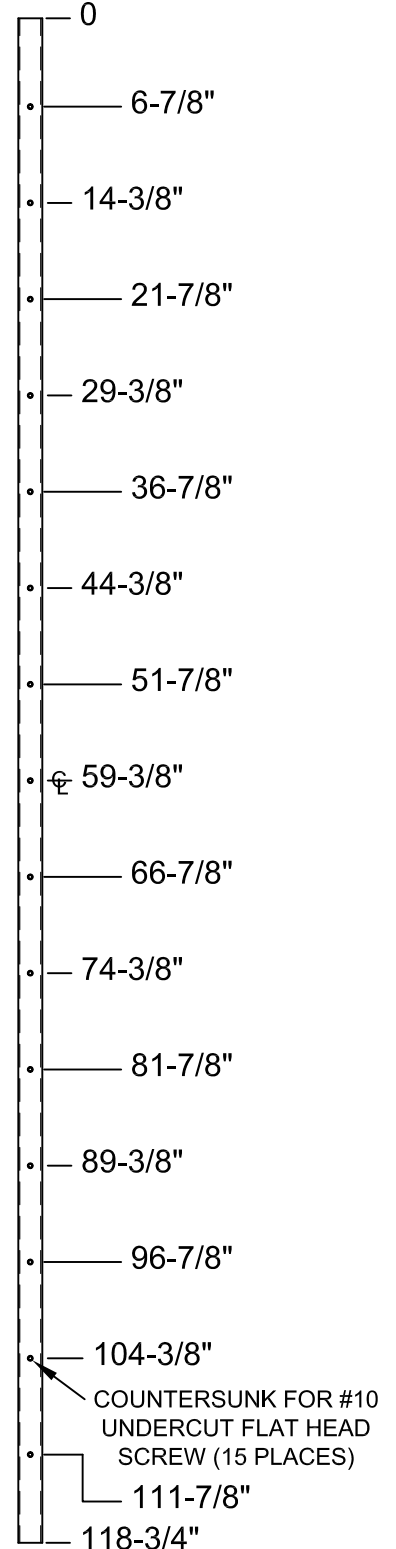
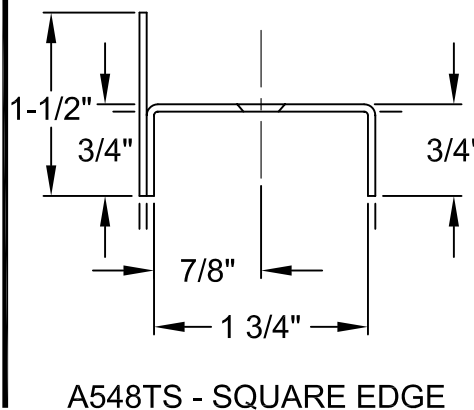
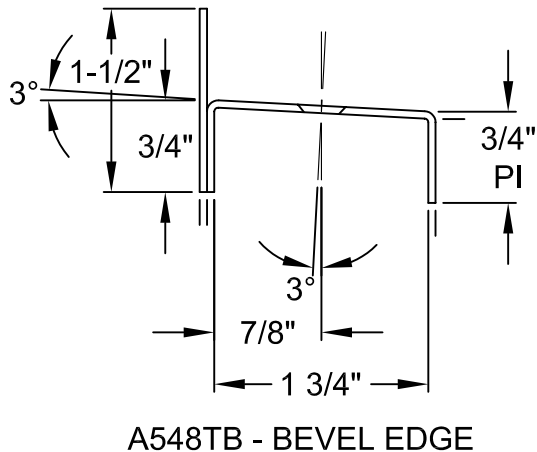
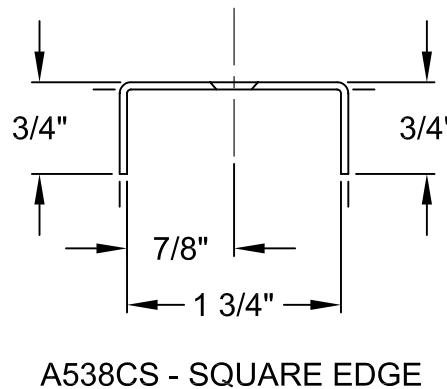
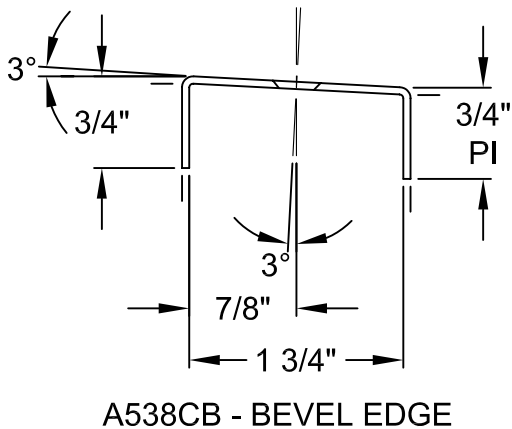
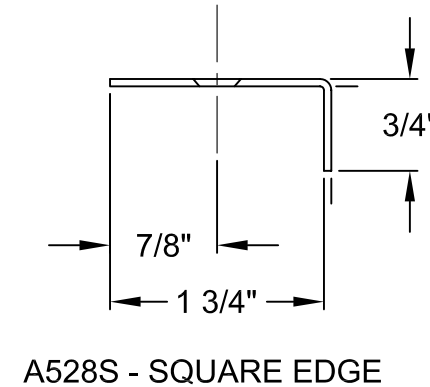
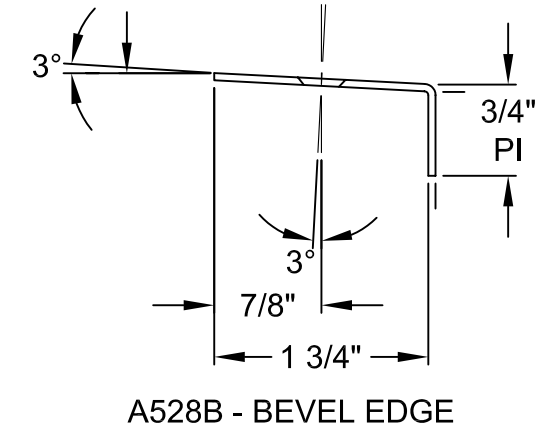
STANDARD HINGE LENGTH CONVERSION CHART

A 118.750" actual length = an 10'0" door opening

SCREW DETAIL	
QTY.	DESCRIPTION
15	#10x1.250" PHILLIPS FLAT HEAD UNDERCUT SHEET METAL SCREW

**MODEL A538CS-118.750" (10'0")
SHOWN FOR EXAMPLE**

NOTE: HOLE PATTERN USED
FOR ALL MODELS



® www.abhmfg.com
E-mail: abhinfo@abhmfg.com
Architectural Builders Hardware Mfg., Inc.
1222 Ardmore Ave., Itasca, IL 60143
630.875.9900; FAX 800.9FAXABH (932.9224)

© 2006 ABH Mfg., Inc.
printed in USA

118.750-EG-02.DWG

118.750

REVISED 05-30-06