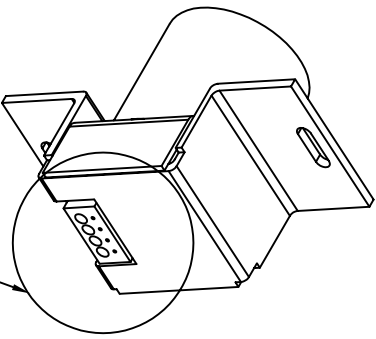


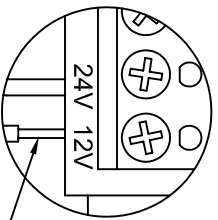
ELECTRICAL DATA SHEET

THIS PRODUCT IS AN ELECTROMAGNETIC HOLDING DEVICE INTENDED FOR USE IN FIRE DOOR APPLICATIONS, BUT CAN BE USED FOR OTHER MAGNETIC APPLICATIONS. WIRE INTO PROPER TERMINALS AS NOTED BELOW. PLEASE READ INSTRUCTIONS CAREFULLY!!

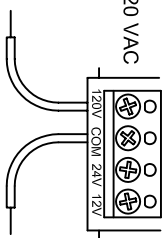
Series	Voltage	DC/mA	DC/VA	AC/mA	AC/VA	Terminals
2100	12 DC	60	.72			Com & 12 v
	24 AC/DC	30	.72	30	.72	Com & 24 v
	120 AC			30	3.60	Com & 120 v



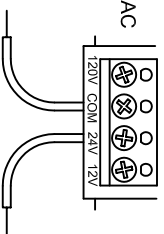
SEE WIRING DIAGRAMS TO THE RIGHT FOR YOUR APPLICATION



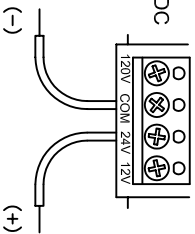
WIRING FOR 120 VAC



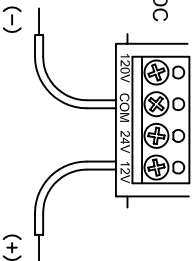
WIRING FOR 24 VAC



WIRING FOR 24 VDC



WIRING FOR 12 VDC

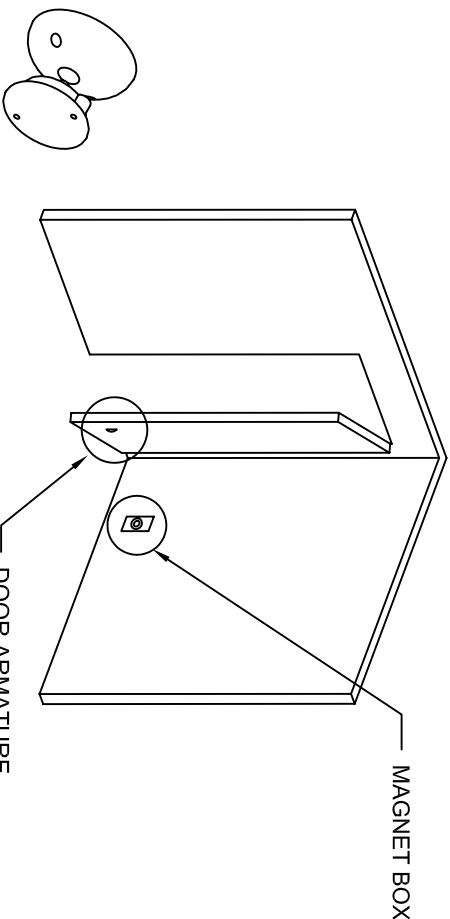


CAUTION
DO NOT LEAVE
WIRE EXPOSED

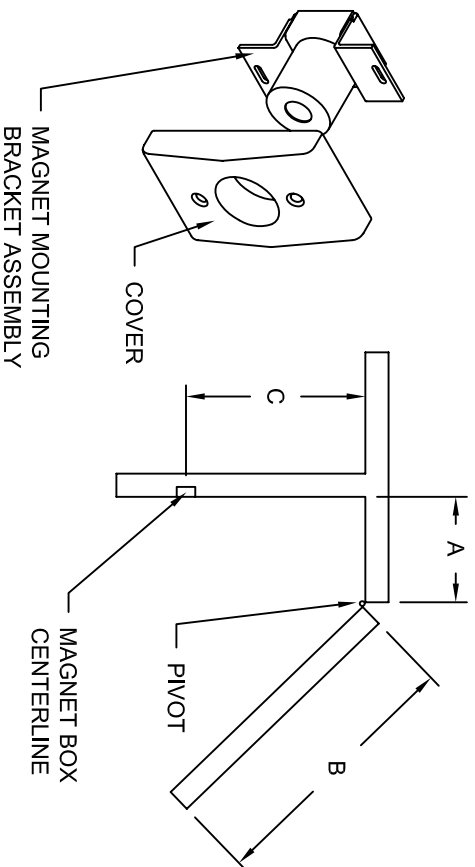
ALL SPECIFICATIONS SUBJECT TO CHANGE WITHOUT NOTICE. INFORMATION FURNISHED BY ARCHITECTURAL BUILDERS HARDWARE MFG. INC. (ABH) IS BELIEVED TO BE ACCURATE AND RELIABLE HOWEVER, NO RESPONSIBILITY OR LIABILITY IS ASSUMED BY ABH FOR ITS USE NOR FOR ANY INFRINGEMENT OF PATENTS OR OTHER RIGHTS OF THIRD PARTIES WHICH MAY RESULT FROM ITS USE. NO LICENSE IS GRANTED BY IMPLICATION OR OTHERWISE UNDER ANY PATENT OR OTHER RIGHTS OF ABH.
2004 Architectural Builders Hardware Mfg., Inc. All right reserved

ELECTROMAGNETIC DOOR HOLDER

ASSEMBLY INSTRUCTIONS
&
ELECTRICAL CONFIGURATIONS



DOOR ARMATURE



www.abhmf.com

E-mail: abhinfo@abhmf.com

Architectural Builders Hardware Mfg., Inc.

1222 Ardmore Ave., Itasca, IL 60143

630.875.9900; FAX 800.9FAXABH (932.9224)

ABH is a minority owned and operated manufacturing company.

© 2004 ABH Mfg., Inc.
printed in USA

2100-1-00.DWG

2100

ISSUED 06-18-04

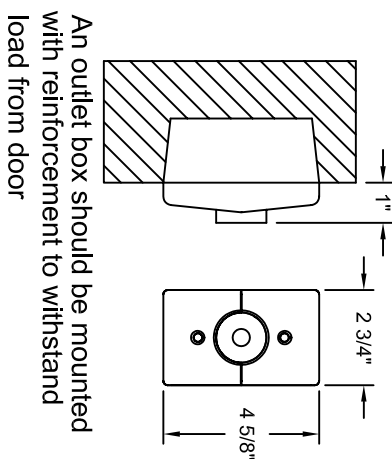
Step #1 Locations of Magnet Box:

- 1-1 Measure distance from pivot centerline to wall (Dim A)
- 1-2 Determine door width (Dim B)
- 1-3 To locate magnet box use Table below.
- 1-4 Dim C is the distance from the pivot centerline to the magnet box centerline.
Example: Dim A=10" Dim B=42" Result: Dim C=38 7/8"
- 1-5 If Dim A and Dim B falls between the numbers listed in the table allow for difference.
Example: Dim A=7" Dim B=36" Estimated Dim C=33 1/8"
- 1-6 If Dim A and Dim B intersect in the shaded area, DO NOT INSTALL magnet box:
The degree of door opening will not permit proper alignment between armature and wall magnet.
- 1-7 Suggested vertical location is on top rail approximately 5" from top of door.
- 1-8 Check degree of door opening shown in table and coordinate with door closers and other door hardware.
- 1-9 Total projection of door hardware must not be more than 3 5/8" on the pull side of door.

Dim B	28	30	32	34	36	38	40	42	44	46	48
Dim A	Dim C	Dim C	Dim C	Dim C	Dim C	Dim C	Dim C	Dim C	Dim C	Dim C	Dim C
2	25 3/8	27 1/8	29 3/8	31 3/8	33 3/8	35 3/8	37 3/8	39 3/8	41 3/8	43 3/8	45 3/8
4	25 3/8	27 3/8	29 3/8	31 3/8	33 3/8	35 3/8	37 3/8	39 3/8	41 3/8	43 3/8	45 3/8
6	25 1/4	27 1/4	29 5/8	31 1/4	33 1/4	35 1/4	37 1/4	39 1/4	41 1/4	43 1/4	45 1/4
8	25	27	29	31	33	35	37	39	41	43	45
10	24 1/2	26 5/8	28 5/8	30 3/4	32 3/8	34 3/4	36 7/8	38 7/8	41	43	45
12	24	26	28 1/8	30 1/4	32 3/8	34 3/8	36 3/8	38 1/2	40 1/2	42 1/2	44 5/8
14	23 1/8	25 1/4	27 1/2	29 5/8	31 3/4	33 7/8	35 7/8	38	40	42 1/8	44 1/8
16	22 1/8	24 3/8	26 5/8	28 7/8	31	33 1/8	35 1/4	37 3/8	39 1/2	41 5/8	43 5/8
18	22 1/8	24 3/8	26 5/8	28 7/8	31	33 1/8	35 1/4	37 3/8	39 1/2	41 5/8	43 5/8
20	22	24 1/4	26 3/4	29 1/8	31 3/8	34 1/8	36 3/4	38 3/4	41 1/8	43 3/8	45 3/8
22	22	24 1/4	26 3/4	29 1/8	31 3/8	34 1/8	36 3/4	38 3/4	41 1/8	43 3/8	45 3/8
24	22	24 1/4	26 3/4	29 1/8	31 3/8	34 1/8	36 3/4	38 3/4	41 1/8	43 3/8	45 3/8

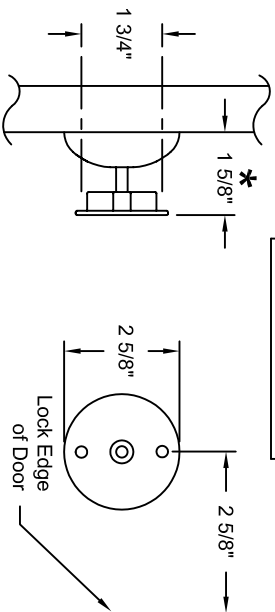
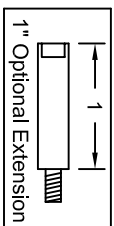
Step #2 Continued:

- 2-3 The 2 3/4 x 4 1/2 x 1 1/2 outlet box must be inserted in the wall in such a way that the center line of the outlet box coincides with the line created in 2-1.
 - 2-4 The box should be installed with reinforcement to withstand a minimum 50 lb. pull.
 - 2-5 The height of the outlet box must be chosen so the door armature can be installed at the same height on the door without interfering with the other door hardware.
 - 2-6 Install and verify the proper bracket and cover alignment.
 - 2-7 For detail on electrical wiring, read the specific "Electrical Data Sheet" at the end of this documentation.
- IMPORTANT:** Check that power voltage equals voltage labeled on back of magnet.



Step #2 Installation of In-Wall Magnet Box:

- 2-1 Locate on the wall the dimension DimC by tracing a temporary vertical line at the distance Dim C (calculated in the previous step) from corner of the wall.
- 2-2 Proper electrical wire routing must be done before installing magnet box



* For 2 5/8" use 1" Extension Rod Included.

Step #3 Installation of door armature hardware:

- 3-1 With the magnet box securely fastened, aligned and energized, place and center the door armature on the surface of the magnet with the two holes of the base aligned either vertically or horizontally.
- 3-2 Gently close the door and adjust the angle of the door armature so the base lays flat against the door.
- 3-3 While keeping slight pressure on the door, mark location of door armature through the two base rollers. The two marks should be 1 3/4" apart and the center line of the door armature should be approximately 2 5/8" from the lock edge of the door.
- 3-4 Depending of the mounting option that you choose:
For concealed Mounting
Drill a 1/2" deep hole where the two marks are located with a 1/16" maximum diameter drill as pilot holes for wood screws. In reinforced metal door, drill & tap for #10-32 screw
OR:
For through bolt Mounting
Drill through the door where the two marks are located with a 5/16" drill.
- 3-5 Mount the door armature on the door:
For concealed Mounting
Use two #10 pan head Phillips wood screws or two #10-32 screws depending on type of door (See step 3-4)
OR:
For through bolt Mounting
Use two #10-32 screws with two #10-32 x 1 1/4" sex bolt.

ABH

www.abhmf.com
E-mail: abhinfo@abhmf.com
Architectural Builders Hardware Mfg., Inc.
1222 Ardmore Ave., Itasca, IL 60143
630.875.9900; FAX 800.9FAXABH (932.9224)

ABH is a minority owned and operated manufacturing company.
©2004 ABH Mfg., Inc.
Printed in USA

2100-2-00JDWG

2100

ISSUED 06-18-04