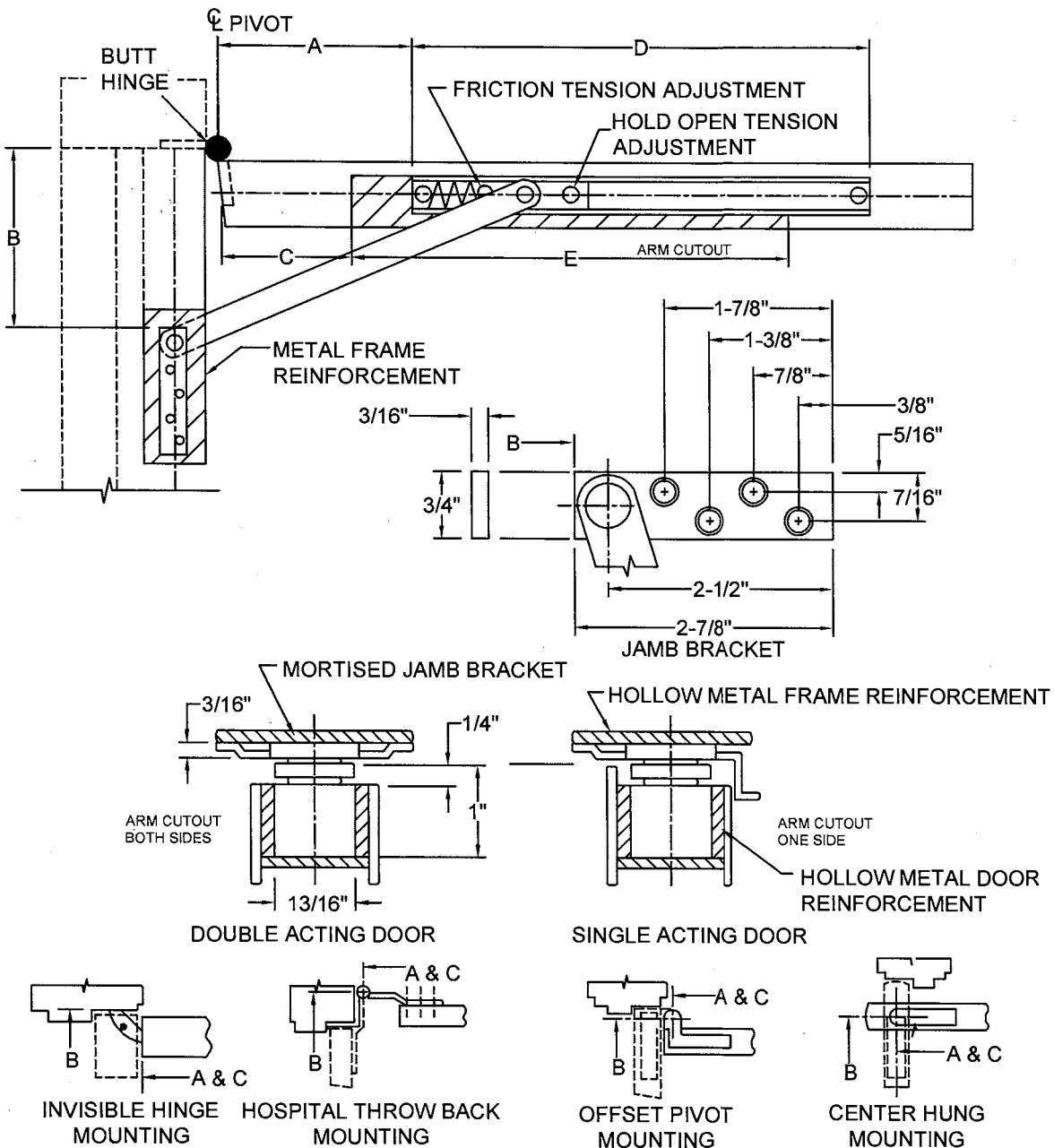


# 4000 SERIES CONCEALED HOLDERS & STOPS

REVERSIBLE

18 TO 29<sup>15</sup>/<sub>16</sub>" WIDE DOORS-  
BUTT, INVISIBLE, HOSPITAL HINGES & OFFSET PIVOTS

NON - HANDED



NOTE: A, B, & C DIMENSIONS MEASURED AS SHOWN

SCREW DETAIL			
	QTY	WOOD	METAL
JAMB	4	No.10 x 1-1/2" F.H.W.S	10-32 x 1/2" F.H.M.S
DOOR	2	No.10 x 1-3/4" R.D.H.W.S	10-32 x 1-1/2" TRUSS HEAD MS

ALWAYS REQUEST LATEST TEMPLATE DRAWINGS FOR NEW INSTALLATIONS

DO NOT SCALE DRAWINGS ALL DIMENSIONS ARE IN INCHES



® www.abhmfg.com  
E-mail: abhinfo@abhmfg.com  
Architectural Builders Hardware Mfg., Inc.  
1222 Ardmore Ave., Itasca, IL 60143  
630.875.9900; FAX 800.9FAXABH (932.9224)

© 2012 ABH Mfg., Inc.  
printed in USA

4000-1-03.DWG

4000-1

REVISED 04-23-12

# 4010 SERIES HOLDERS, 4020 SERIES STOPS, 4030 SERIES FRICTION CONCEALED MOUNTING

FOR DOOR OPENINGS 18"-23 15/16" & 24"-29 15/16"  
FOR DEAD STOP ADD 1/2" TO "A" DIMENSION

ALL DRILLING & TAPPING TO BE DONE IN FIELD  
ALL DIMENSIONS SHOWN IN INCHES

FOR DOORS OPENINGS 18 TO 23-15/16"	DOOR THICK.	MOUNTING					DOOR THICK.	MOUNTING					DOOR THICK.	MOUNTING				
		A	B	C	E			A	B	C	E			A	B	C	E	
4011 HOLDER 4021 STOP 4031 FRICTION "D" = 12-1/8"	1-3/4	4-1/2X4-1/2 BUTTS					1-3/8	3-1/2X3-1/2 BUTTS					1-3/8	3 X 3 BUTTS				
	2 & 2-1/4	5 X 5 BUTTS HOSP THROW-BACK					1-3/4	4 X 4 BUTTS HOSP THROW-BACK					1-3/4	SOSS 218				
							2	4-1/2X4-1/2 BUTTS					2	SOSS 220				
	A	B	C	E		A	B	C	E		A	B	C	E		A	B	C
85° HOLD-OPEN	3	4-1/16	1	12-1/2	3-1/8	4-5/16	2	11-3/4	2	3-3/16	4-3/8	2-1/2	11-1/4	3-3/8	4-1/2	3-3/4	10-1/4	11
90° HOLD-OPEN	2-11/16	3-13/16	0	13-1/4	2-7/8	4-1/16	1-1/4	12-1/4	1-3/4	2-15/16	4-1/8	1-3/4	11-3/4	3-1/8	4-1/4	3-1/2	10-1/4	11
95° HOLD-OPEN	2-7/16	3-9/16	0	13	2-5/8	3-13/16	0	13-1/4	0	2-3/4	3-15/16	1	12-1/2	3	4-1/8	3	10-1/2	11
100° HOLD-OPEN	2-1/4	3-3/8	0	13	2-7/16	3-5/8	0	13	0	2-9/16	3-3/4	0	13-1/4	2-3/4	3-7/8	2-1/2	11	11
105° HOLD-OPEN	2-1/16	3-3/16	0	12-3/4	2-1/4	3-7/16	0	12-3/4	0	2-3/8	3-9/16	0	13	2-1/2	3-5/8	1/2	12-3/4	11
110° HOLD-OPEN	1-15/16	3-1/16	0	12-1/2	2-1/8	3-5/16	0	12-1/2	0	2-3/16	3-3/8	0	12-3/4	2-3/8	3-1/2	0	13	13

FOR DOORS OPENINGS 24 TO 29-15/16"	DOOR THICK.	MOUNTING					DOOR THICK.	MOUNTING					DOOR THICK.	MOUNTING				
		A	B	C	E			A	B	C	E			A	B	C	E	
4012 HOLDER 4022 STOP 4032 FRICTION "D" = 14"	1-3/4	4-1/2X4-1/2 BUTTS 5 X 5 BUTTS					1-3/8	3-1/2X3-1/2 BUTTS					1-3/8	3 X 3 BUTTS				
	2 & 2-1/4	3/4 OFFSET PIVOTS					1-3/4	4 X 4 BUTTS HOSP THROW-BACK					1-3/4	SOSS 218				
		5 X 5 BUTTS HOSP THROW-BACK					2	4-1/2X4-1/2 BUTTS					2	SOSS 220				
	A	B	C	E		A	B	C	E		A	B	C	E		A	B	C
85° HOLD-OPEN	7-13/16	5-3/4	5	15-1/4	7-15/16	6	5-1/4	15-1/4	6	8-1/16	6-1/8	5-1/2	15	8-1/4	6-1/4	5-1/2	15	15
90° HOLD-OPEN	7-7/16	5-3/8	4-3/4	15-1/4	7-9/16	5-5/8	5	15	5	7-11/16	5-3/4	5	15-1/4	7-7/8	5-7/8	5-1/4	15-1/4	15-1/4
95° HOLD-OPEN	7-1/8	5-1/16	3-3/4	16	7-1/4	5-5/16	4-1/2	15-1/4	4-3/4	7-3/8	5-7/16	4-3/4	15-1/4	7-9/16	5-9/16	4-3/4	15-1/4	15-1/4
100° HOLD-OPEN	6-13/16	4-3/4	2	17-1/4	6-15/16	5	3-3/4	15-3/4	5	7-1/16	5-1/8	4-1/2	15	7-1/4	5-1/4	4-1/2	15-1/4	15-1/4
105° HOLD-OPEN	6-5/8	4-9/16	0	19-1/4	6-11/16	4-3/4	2-1/4	17	6-13/16	4-7/8	3	16-1/4	7	5	4-1/4	15-1/4	15-1/4	15-1/4
110° HOLD-OPEN	6-3/8	4-5/16	0	19	6-1/2	4-9/16	1/2	18-1/2	2	6-5/8	4-11/16	2	17-1/4	6-3/4	4-3/4	4	15-1/4	15-1/4

4000-1A-03.DWG



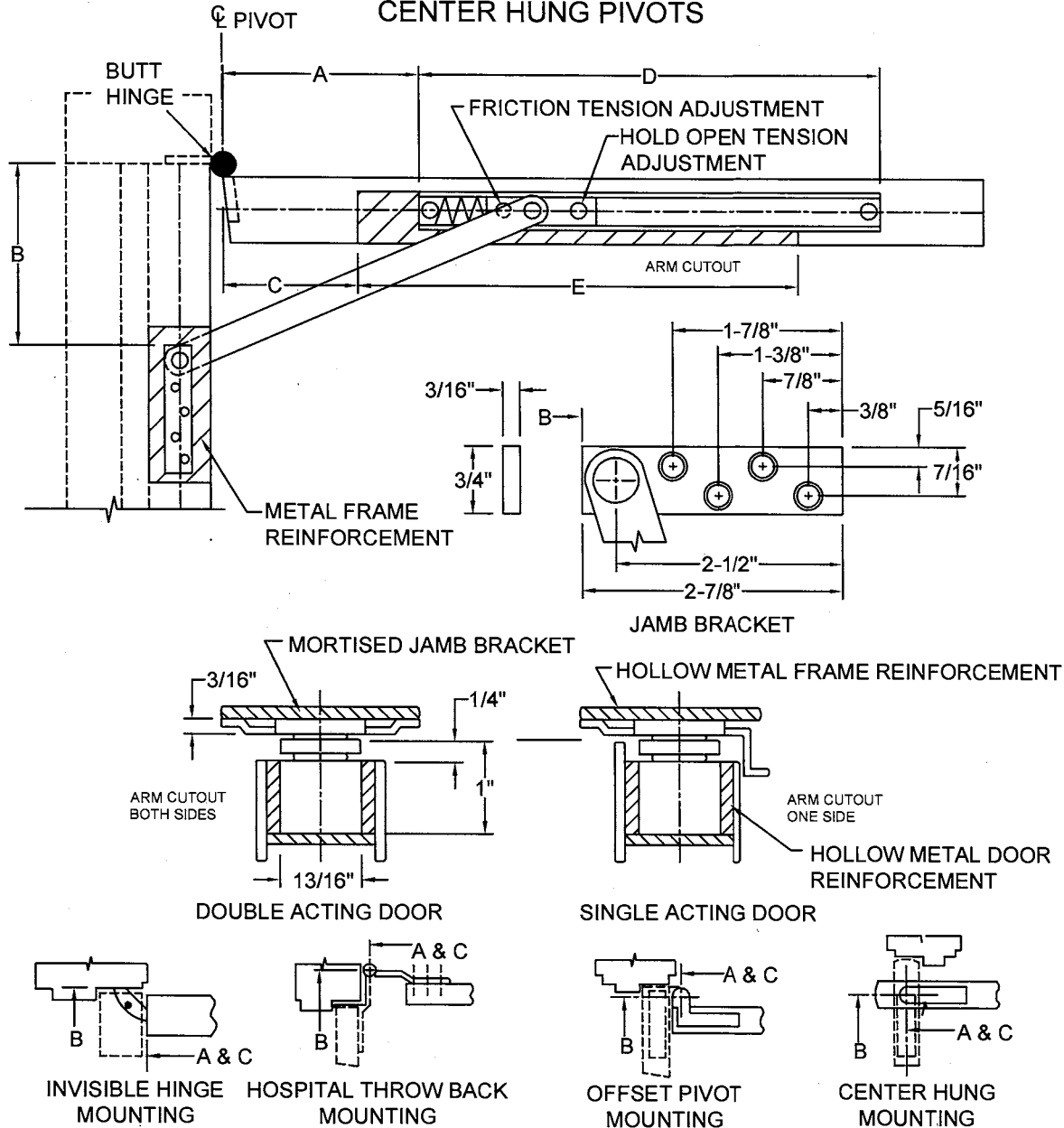
www.abhmfmg.com  
E-mail: abhinfo@abhmfmg.com  
Architectural Builders Hardware Mfg., Inc.  
1222 Ardmore Ave., Itasca, IL 60143  
630.875.9900; FAX 800.9FAXABH (932.9224)

4000-1  
REVISED 04-23-12

© 2012 ABH Mfg., Inc.  
printed in USA

# 4000 SERIES CONCEALED HOLDERS & STOPS

REVERSIBLE FOR SINGLE OR DOUBLE ACTING DOORS ONLY NON - HANDED  
 30" TO 48" DOOR OPENING  
 BUTT, INVISIBLE HOSPITAL HINGES, OFFSET PIVOTS  
 32" TO 48" DOOR OPENINGS  
 CENTER HUNG PIVOTS



NOTE: A, B, & C DIMENSIONS MEASURED AS SHOWN

SCREW DETAIL			
	QTY	WOOD	METAL
JAMB	4	No.10 x 1-1/2" F.H.W.S	10-32 x 1/2" F.H.M.S
DOOR	2	No.10 x 1-3/4" R.D.H.W.S	10-32 x 1-1/2" TRUSS HEAD MS

ALWAYS REQUEST LATEST TEMPLATE DRAWINGS FOR NEW INSTALLATIONS

DO NOT SCALE DRAWINGS ALL DIMENSIONS ARE IN INCHES



® www.abhmfg.com  
 E-mail: abhinfo@abhmfg.com  
 Architectural Builders Hardware Mfg., Inc.  
 1222 Ardmore Ave., Itasca, IL 60143  
 630.875.9900; FAX 800.9FAXABH (932.9224)

© 2012 ABH Mfg., Inc.  
 printed in USA

4000-2

REVISED 04-23-12

4000-2-02.DWG

# 4010 SERIES HOLDERS, 4020 SERIES STOPS & 4030 SERIES FRICTION

CONCEALED MOUNTING  
ALL DRILLING & TAPPING TO BE DONE IN FIELD

FOR DEAD STOP ADD 1/2" TO "A" DIMENSION  
ALL DIMENSIONS SHOWN IN INCHES

4013 HOLDER 4023 STOP 4033 FRICTION "D" = 15-1/8"	DOOR OPENINGS - 30" TO 35-15/16"															32" TO 37-15/16"											
	DOOR THICK	MOUNTING					DOOR THICK	MOUNTING					DOOR THICK	MOUNTING					CENTER HUNG PIVOTS								
1-3/4	4-1/2X4-1/2 BUTTS 5 X 5 BUTTS 3/4 OFFSET PIVOTS	1-3/8	3-1/2X3-1/2 BUTTS 3/4 OFFSET PIVOTS					1-3/8	3 X 3 BUTTS					1-3/8	SOSS 218					CENTER HUNG PIVOTS							
			4 X 4 BUTTS	SOSS 220					SOSS 216																		
2 & 2-1/4	5 X 5 BUTTS HOSP. THROW-BACK 3/4 OFFSET PIVOTS	2	4-1/2X4-1/2 BUTTS					2-1/4	SOSS 220					2-1/4	SOSS 216					CENTER HUNG PIVOTS							
			SOSS 220						SOSS 216																		
A	B	C	E	A	B	C	E	A	B	C	E	A	B	C	E	A	B	C	E	A	B	C	E				
																								10-5/8	6-13/16	6	18-1/4
10-3/16	6-3/8	5-3/4	18	10-3/8	6-5/8	6	18	10-7/16	6-1/16	6	18	10-1/16	6-5/16	5-1/2	18-1/4	10-5/16	6-1/2	5-3/4	18-1/4	18	10-15/16	7-3/16	6-1/2	18			
																									9-13/16	6	5-1/4
9-1/2	5-1/16	5	18-1/4	9-5/8	5-7/8	5-1/4	18	9-1/16	5-15/16	5-1/4	18	9-15/16	6-1/8	5-1/2	18	10-3/16	6-7/16	5-3/4	18-1/4	18	10-3/16	6-7/16	5-3/4	18			
																									9-3/16	5-3/8	3-3/4
9	5-3/16	1-1/2	21-1/4	9-1/8	5-3/8	4	18-3/4	9-3/16	5-7/16	4-3/4	18	9-3/8	5-9/16	4-3/4	18-1/4	—	—	—	—	—	—	—	—	—			
																									DOOR OPENING 36" TO 48"		
4014 HOLDER 4024 STOP 4034 FRICTION "D" = 16-3/4"	DOOR THICK	MOUNTING					DOOR THICK	MOUNTING					DOOR THICK	MOUNTING					CENTER HUNG PIVOTS								
		1-3/4	4-1/2X4-1/2 BUTTS 5 X 5 BUTTS 3/4 OFFSET PIVOTS					1-3/8	3-1/2X3-1/2 BUTTS 3/4 OFFSET PIVOTS					1-3/4	3 X 3 BUTTS												
2 & 2-1/4	5 X 5 BUTTS HOSP. THROW-BACK 3/4 OFFSET PIVOTS	2	4-1/2X4-1/2 BUTTS					2-1/4	SOSS 220					2-1/4	SOSS 216					CENTER HUNG PIVOTS							
			SOSS 220						SOSS 216																		
A	B	C	E	A	B	C	E	A	B	C	E	A	B	C	E	A	B	C	E	A	B	C	E				
																								14-15/16	8-3/8	7-3/4	22-1/2
14-7/16	7-7/8	7-1/4	22-1/2	14-5/8	8	7-1/4	22-3/4	14-3/4	8-1/8	7-1/2	22-1/2	14-15/16	8-5/16	7-1/2	22-3/4	14-11/16	8-9/16	7-3/4	22-3/4	14-7/16	7-13/16	7	22-3/4	14-5/16	8-1/16	7-1/4	22-3/4
13-9/16	7	6-1/4	22-1/2	13-3/4	7-1/8	6-1/4	22-1/2	13-7/8	7-1/4	6-1/2	22-3/4	13-7/8	7-1/4	6-1/2	22-3/4	14	7-3/8	6-3/4	22-1/2	14-5/16	7-11/16	7	22-1/2	13-15/16	7-5/16	6-1/2	22-3/4
12-15/16	6-3/8	5-1/4	22-1/2	13-1/16	6-7/16	5-1/4	22-3/4	13-3/16	6-9/16	5-3/4	22-3/4	13-5/16	6-11/16	6	22-1/2	13-9/16	6-15/16	6-1/4	22-1/2	13-9/16	6-11/16	6	22-1/2	13-9/16	6-15/16	6-1/4	22-1/2

www.abhmf.com

E-mail: abhinfo@abhmf.com

Architectural Builders Hardware Mfg., Inc.

1222 Ardmore Ave., Itasca, IL 60143

630.875.9900; FAX 800.9FAXABH (932.9224)

© 2012 ABH Mfg., Inc.  
printed in USA

4000-2A-02.DWG  
4000-2  
REVISED 04-23-12

