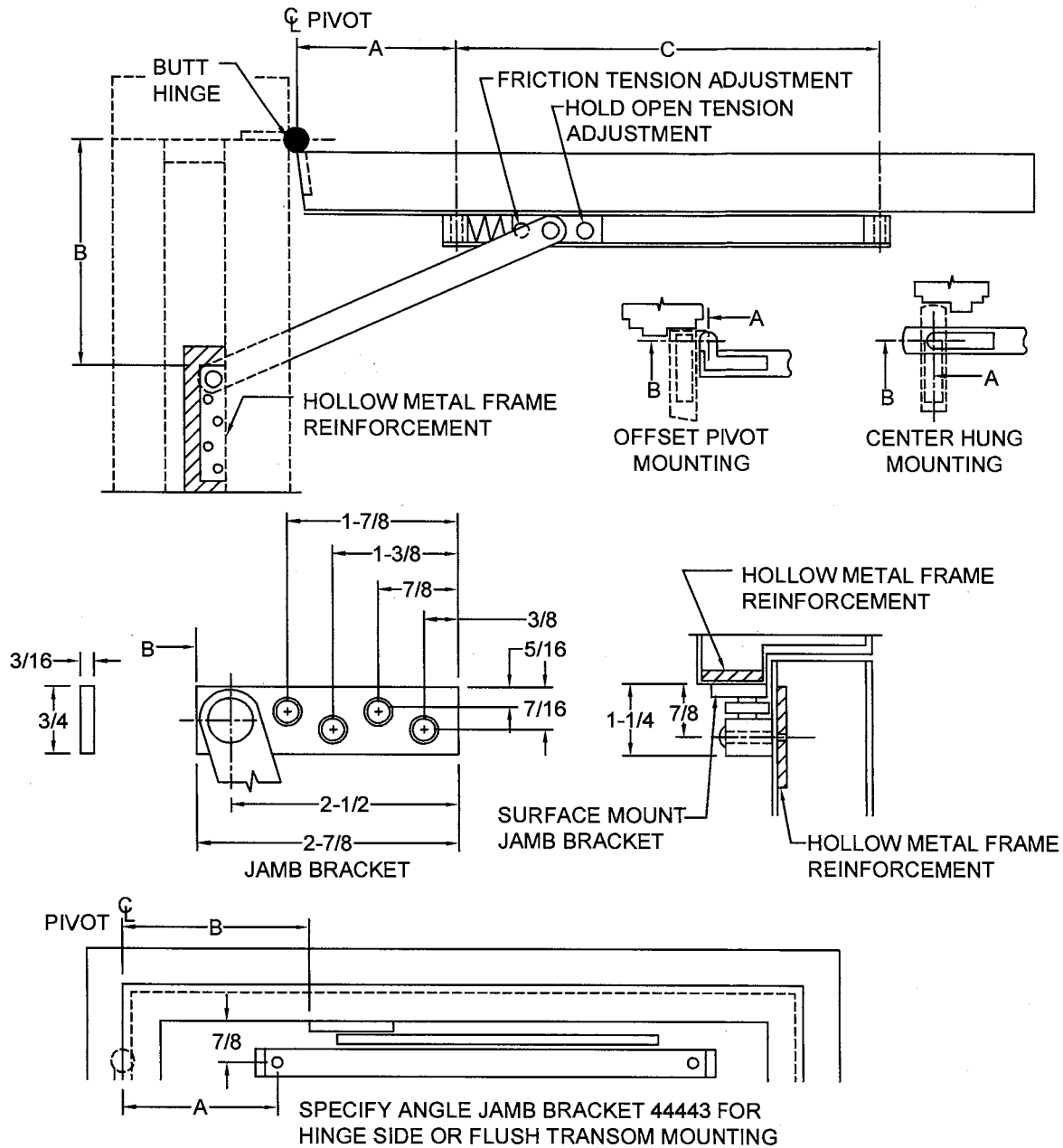


4400 SERIES SURFACE HOLDERS & STOPS

REVERSIBLE

FOR SINGLE ACTING DOORS ONLY

NON - HANDED



NOTE: ALL A, B & C DIMENSIONS MEASURED FROM \varnothing OF PIVOT

SCREW DETAIL			
	QTY	WOOD	METAL
JAMB	4	No. 10 X 1-1/2" F.H.W.S.	10-32 X 1/2" F.H.M.S.
DOOR	2	10-32 X 1-1/2" TRUSS HD MS, 5/16" DIA. SEX BOLT	10-32 X 1-1/2" TRUSS HD MS, 5/16" DIA. SEX BOLT

ALWAYS REQUEST LATEST TEMPLATE DRAWINGS FOR NEW INSTALLATIONS

DO NOT SCALE DRAWINGS ALL DIMENSIONS ARE IN INCHES

4400-1-04.DWG

4410 SERIES HOLDERS, 4420 SERIES STOPS & 4430 SERIES FRICTION HOLDERS SURFACE MOUNTED

ALL DRILLING & TAPPING TO BE DONE IN FIELD
ALL DIMENSIONS SHOWN IN INCHES

FOR DEAD STOP ADD 3/4" TO "A" DIMENSION

MODEL NO.	85° H.O.		90° H.O.		95° H.O.		100° H.O.		105° H.O.		110° H.O.	
	A	B	A	B	A	B	A	B	A	B	A	B
4411	2-1/2	5-1/8	2-3/16	4-13/16	1-7/8	4-1/2	1-11/16	4-5/16	—	—	—	—
4421	2-1/2	5-1/8	2-3/16	4-13/16	1-7/8	4-1/2	1-11/16	4-5/16	—	—	—	13-11/16
4431	2-1/2	5-1/8	2-3/16	4-13/16	1-7/8	4-1/2	1-11/16	4-5/16	—	—	—	13-11/16
4412	5	6-3/4	4-5/8	6-3/8	4-1/4	6	3-15/16	5-11/16	3-11/16	5-7/16	—	15-9/16
4422	5	6-3/4	4-5/8	6-3/8	4-1/4	6	3-15/16	5-11/16	3-11/16	5-7/16	—	15-9/16
4432	5	6-3/4	4-5/8	6-3/8	4-1/4	6	3-15/16	5-11/16	3-11/16	5-7/16	—	15-9/16
4413	10	7-11/16	9-1/2	7-3/16	9-1/16	6-3/4	8-3/4	6-7/16	8-7/16	6-1/8	8-1/8	5-13/16
4423	10	7-11/16	9-1/2	7-3/16	9-1/16	6-3/4	8-3/4	6-7/16	8-7/16	6-1/8	8-1/8	5-13/16
4433	10	7-11/16	9-1/2	7-3/16	9-1/16	6-3/4	8-3/4	6-7/16	8-7/16	6-1/8	8-1/8	5-13/16
4414	14-3/8	9-3/16	13-13/16	8-5/8	13-5/16	8-1/8	12-7/8	7-11/16	12-1/2	7-5/16	12-1/8	6-15/16
4424	14-3/8	9-3/16	13-13/16	8-5/8	13-5/16	8-1/8	12-7/8	7-11/16	12-1/2	7-5/16	12-1/8	6-15/16
4434	14-3/8	9-3/16	13-13/16	8-5/8	13-5/16	8-1/8	12-7/8	7-11/16	12-1/2	7-5/16	12-1/8	6-15/16

MODEL NO.	85° H.O.		90° H.O.		95° H.O.		100° H.O.		105° H.O.		110° H.O.	
	A	B	A	B	A	B	A	B	A	B	A	B
4411	2-3/4	5-3/8	2-7/16	5-1/16	2-1/8	4-3/4	1-15/16	4-9/16	—	—	—	13-11/16
4421	2-3/4	5-3/8	2-7/16	5-1/16	2-1/8	4-3/4	1-15/16	4-9/16	—	—	—	13-11/16
4431	2-3/4	5-3/8	2-7/16	5-1/16	2-1/8	4-3/4	1-15/16	4-9/16	—	—	—	13-11/16
4412	5-1/4	7	4-7/8	6-5/8	4-1/2	6-1/4	4-3/16	5-15/16	3-15/16	5-11/16	—	15-9/16
4422	5-1/4	7	4-7/8	6-5/8	4-1/2	6-1/4	4-3/16	5-15/16	3-15/16	5-11/16	—	15-9/16
4432	5-1/4	7	4-7/8	6-5/8	4-1/2	6-1/4	4-3/16	5-15/16	3-15/16	5-11/16	—	15-9/16
4413	10-1/4	7-15/16	9-3/4	7-7/16	9-5/16	7	9	6-11/16	8-11/16	6-3/8	8-3/8	6-1/16
4423	10-1/4	7-15/16	9-3/4	7-7/16	9-5/16	7	9	6-11/16	8-11/16	6-3/8	8-3/8	6-1/16
4433	10-1/4	7-15/16	9-3/4	7-7/16	9-5/16	7	9	6-11/16	8-11/16	6-3/8	8-3/8	6-1/16
4414	14-5/8	9-7/16	14-1/16	8-3/4	13-9/16	8-3/8	13-1/8	7-15/16	12-3/4	7-9/16	12-3/8	7-3/16
4424	14-5/8	9-7/16	14-1/16	8-3/4	13-9/16	8-3/8	13-1/8	7-15/16	12-3/4	7-9/16	12-3/8	7-3/16
4434	14-5/8	9-7/16	14-1/16	8-3/4	13-9/16	8-3/8	13-1/8	7-15/16	12-3/4	7-9/16	12-3/8	7-3/16

MODEL NO.	85° H.O.		90° H.O.		95° H.O.		100° H.O.		105° H.O.		110° H.O.	
	A	B	A	B	A	B	A	B	A	B	A	B
4411	3-1/8	5-3/4	2-13/16	5-7/16	2-1/2	5-1/8	2-5/16	4-15/16	2-3/16	4-13/16	2	4-5/8
4421	3-1/8	5-3/4	2-13/16	5-7/16	2-1/2	5-1/8	2-5/16	4-15/16	2-3/16	4-13/16	2	4-5/8
4431	3-1/8	5-3/4	2-13/16	5-7/16	2-1/2	5-1/8	2-5/16	4-15/16	2-3/16	4-13/16	2	4-5/8
4412	5-5/8	7-3/8	5-1/4	7	4-7/8	6-5/8	4-9/16	6-5/16	4-5/16	6-1/16	4-1/16	5-13/16
4422	5-5/8	7-3/8	5-1/4	7	4-7/8	6-5/8	4-9/16	6-5/16	4-5/16	6-1/16	4-1/16	5-13/16
4432	5-5/8	7-3/8	5-1/4	7	4-7/8	6-5/8	4-9/16	6-5/16	4-5/16	6-1/16	4-1/16	5-13/16
4413	10-5/8	8-5/16	10-1/8	7-13/16	9-11/16	7-3/8	9-3/8	7-1/16	9-1/16	6-3/4	8-3/4	6-7/16
4423	10-5/8	8-5/16	10-1/8	7-13/16	9-11/16	7-3/8	9-3/8	7-1/16	9-1/16	6-3/4	8-3/4	6-7/16
4433	10-5/8	8-5/16	10-1/8	7-13/16	9-11/16	7-3/8	9-3/8	7-1/16	9-1/16	6-3/4	8-3/4	6-7/16
4414	15	9-13/16	14-7/16	9-1/4	13-15/16	8-3/4	13-1/2	8-5/16	13-1/8	7-15/16	12-3/4	7-9/16
4424	15	9-13/16	14-7/16	9-1/4	13-15/16	8-3/4	13-1/2	8-5/16	13-1/8	7-15/16	12-3/4	7-9/16
4434	15	9-13/16	14-7/16	9-1/4	13-15/16	8-3/4	13-1/2	8-5/16	13-1/8	7-15/16	12-3/4	7-9/16

4400-2-04.DWG



www.abhmfg.com

E-mail: abhinfo@abhmfg.com

Architectural Builders Hardware Mfg., Inc.

1222 Ardmore Ave., Itasca, IL 60143

630.875.9900; FAX 800.9FAXABH (932.9224)

4400

©2012 ABH Mfg., Inc.
printed in USA

REVISED 04-23-12