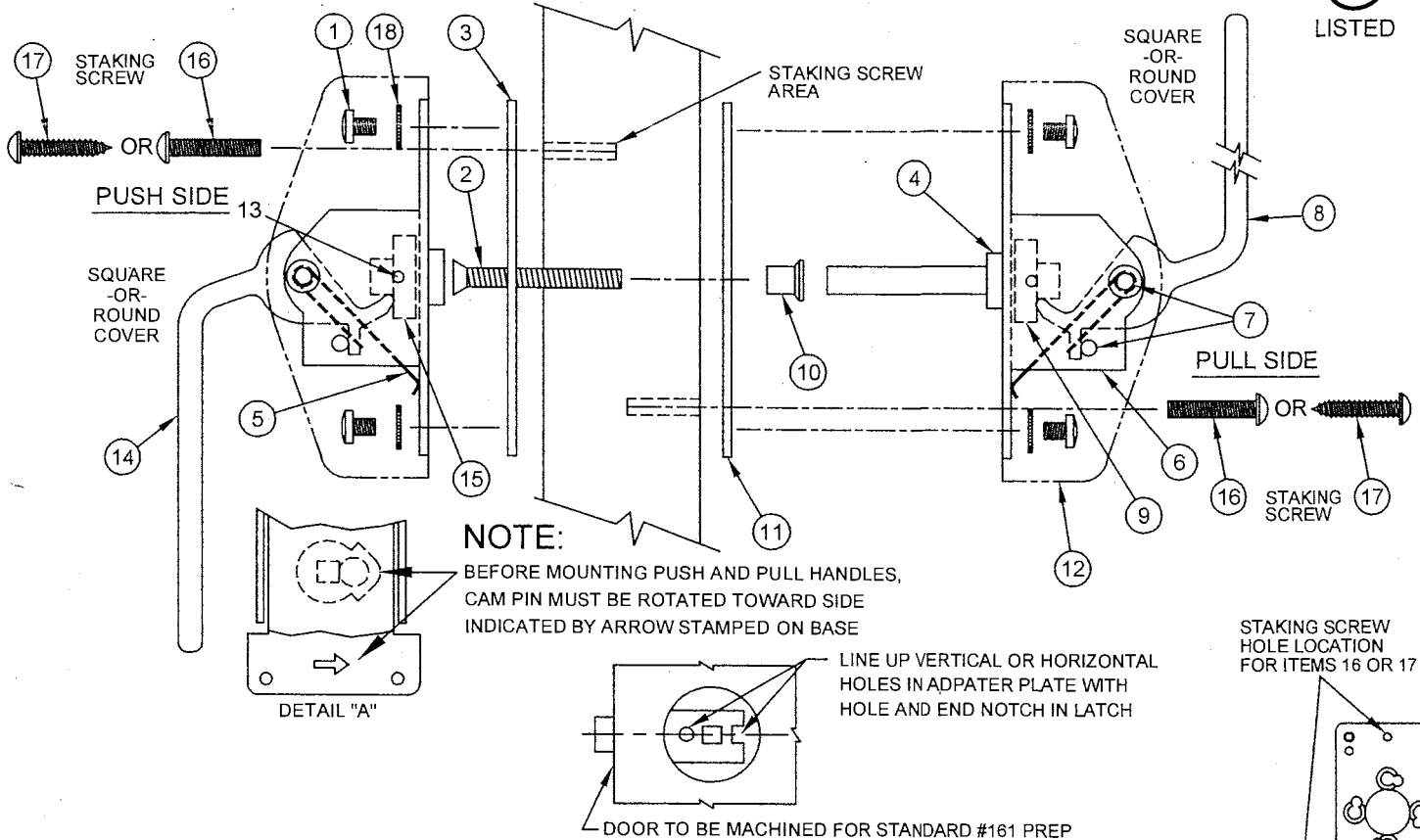


# 6100 SERIES FOR #161 DOOR PREP

UL US LISTED



ITEM	QTY	PART	ITEM	QTY	PART
1	8	10-32 X 1/4 TRUSS HD. M.S.	10	2	(2) 12-24 LOCK NUT
2	2	12-24 x 1-7/8 F.H.M.S.	11	1	PULL SIDE ADAPTER PLATE
3	1	PUSH SIDE ADAPTER PLATE	12	2	COVER
4	2EA	WASHERS & C-RING	13	4	8-32 X 3/8" F.H.M.S.
5	2	SPRING	14	1	PUSH SIDE HANDLE
6	2	MOUNTING BRACKET	15	1	CAM ASSEMBLY (FEMALE)
7	4EA	HANDLE SHAFT & COTTER PIN	16	2	12-24x1" PH. PN. HD. M.S. (STAKING SCREW)
8	1	PULL SIDE HANDLE	17	2	#10x1" PH. PN. HD. W.S. (STAKING SCREW)
9	1	CAM ASSEMBLY (MALE)	18	8	#10 STAR WASHER

**NOTES:**

- BEFORE MOUNTING ADAPTER PLATES, DETERMINE WHICH SIDE OF THE DOOR WILL RECEIVE THE PUSH OR PULL HANDLES AND THE DIRECTION THE HANDLES WILL MOUNT. HANDLES CAN BE MOUNTED UP, DOWN OR HORIZONTALLY OR ANY COMBINATION.
- MOUNT ADAPTER PLATES (ITEMS 3 & 11) TO DOOR WITH (2) 12-24 X 1-7/8" F.H.M.S. (ITEM 2) THRU DOOR LATCH TO 12-24 LOCK NUTS (ITEM 10). TIGHTEN SECURELY.
- TRIM INSTALLATION, CAM PIN MUST BE ROTATED TOWARD SIDE INDICATED BY ARROW STAMPED ON BASE (SEE DETAIL A).
- MOUNT TRIM ASSEMBLY TO ADAPTER PLATE WITH (4) 10-32 X 1/4" PAN HD M.S. (ITEM 1) WITH (4) STAR WASHERS (ITEM 18). CHECK WORKING OPERATION OF THE ENTIRE TRIM ASSEMBLY BEFORE ADDING STAKING SCREWS ITEMS 16 OR 17 DEPENDING ON APPLICATION OF WOOD OR METAL DOOR.
- ONCE IT HAS BEEN DETERMINED THAT THE TRIM ASSEMBLY IS SECURED AND WORKING PROPERLY, SPOT FOR #10 WOOD SCREW OR DRILL AND TAP FOR 12-24 MACHINE SCREW, THEN ATTACH THE CORRECT TYPE OF STAKING SCREWS (ITEMS 16 OR 17) AS SHOWN ABOVE BY USING THE STAKING HOLE.  
NOTE: THE STAKING SCREW INSTALLS THROUGH BOTH THE TRIM ASSEMBLY & ADAPTER PLATE. STAKING SCREWS ARE USED TO PREVENT THE TRIM ASSEMBLY FROM TWISTING THAT MIGHT CAUSE LOCK BINDING.
- BEFORE MOUNTING, MAKE SURE TRIM ASSEMBLY IS WORKING PROPERLY AND NOT BINDING BEFORE MOUNTING COVERS WITH (2) 8-32 X 3/8" F.H.M.S. (ITEM 13).

**PATENT No. 6,196,599 & 5,730,478**



® www.abhmfg.com  
E-mail: abhinfo@abhmfg.com  
Architectural Builders Hardware Mfg., Inc.  
1222 Ardmore Ave., Itasca, IL 60143  
630.875.9900; FAX 800.9FAXABH (932.9224)

© 2012 ABH Mfg., Inc.  
printed in USA

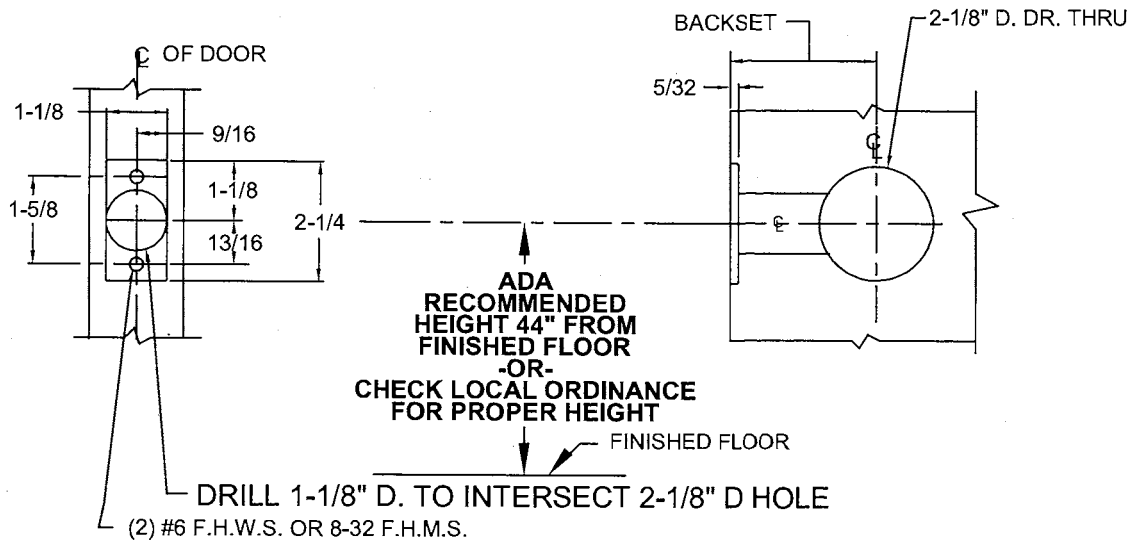
6100-1-05.DWG

**6100**

REVISED 02-07-12

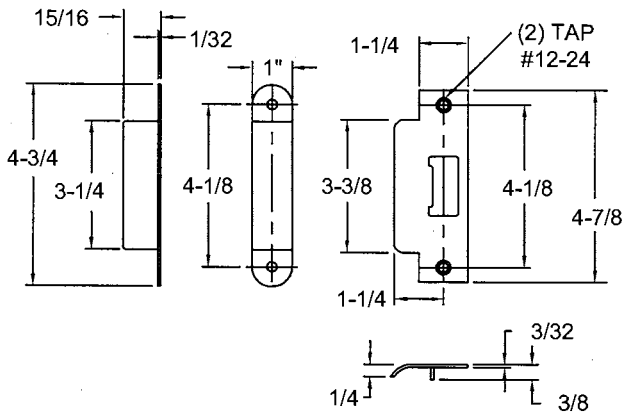
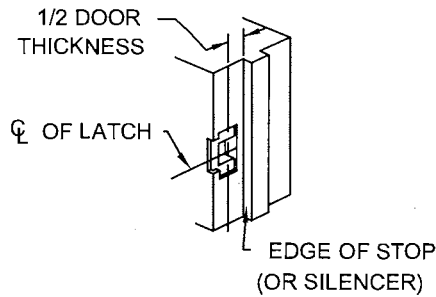
**DOOR PREP**

1. Install door
2. Locate horizontal centerline on door
3. Verify backset (2-3/4", 3-3/4", 5" or 7").

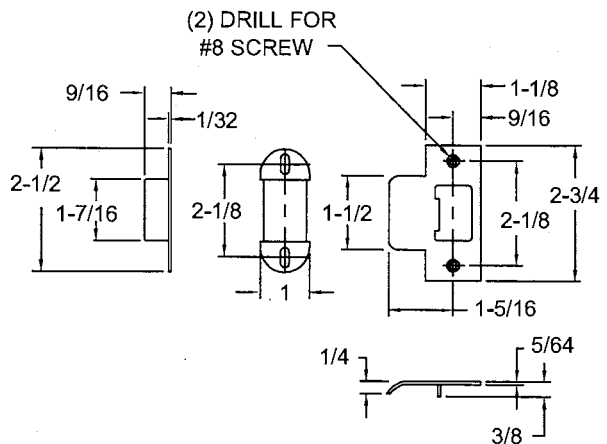


**FRAME PREP**

1. Mark centerline of latch bolt on frame
2. Center strike and mark screw positions
3. Mortise to required strike and box depth



ASA STRIKE & BOX



STANDARD STRIKE & BOX



www.abhmfg.com  
 E-mail: abhinfo@abhmfg.com  
 Architectural Builders Hardware Mfg., Inc.  
 1222 Ardmore Ave., Itasca, IL 60143  
 630.875.9900; FAX 800.9FAXABH (932.9224)

© 2012 ABH Mfg., Inc.  
 printed in USA

6100-2-05.DWG

6100

REVISED 02-07-12