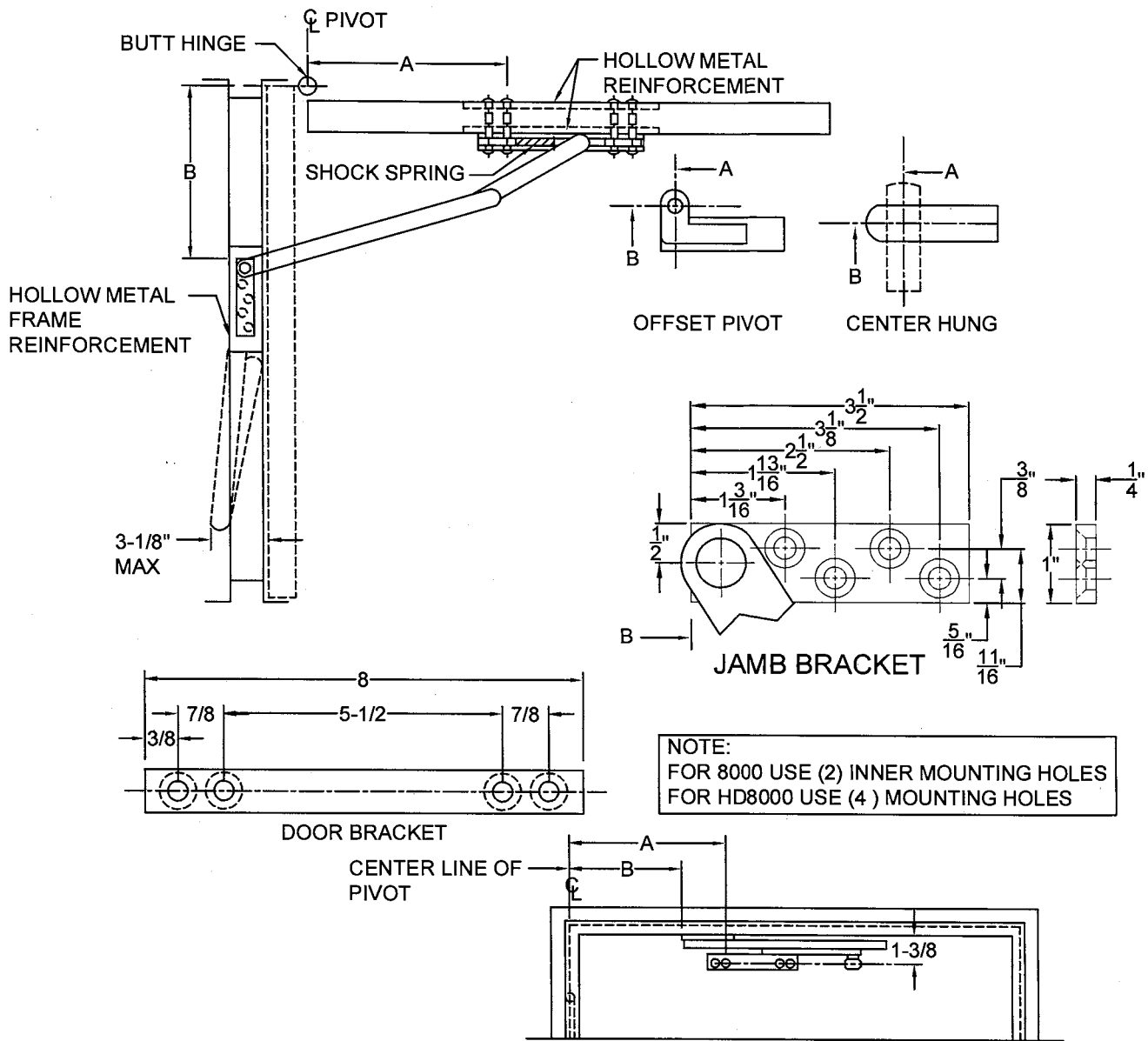


8000/HD8000 SERIES HOLDERS & STOPS

REVERSIBLE

FOR SINGLE ACTING DOORS ONLY

NON - HANDED



NOTE: ALL A & B DIMENSIONS MEASURED FROM ϕ OF PIVOT.

SCREW DETAIL			
	QTY	WOOD	METAL
JAMB	4	No. 14 x 1 1/2" F.H.W.S.	1/4" - 20 x 3/4" F.H.M.S.
DOOR 8000	2	1/4" - 20 X 1-1/2" RD.H.M.S 3/8" D. SEX BOLT	1/4" - 20 X 1-1/2" RD.H.M.S. 3/8" D. SEX BOLT
DOOR HD8000	4	1/4" - 20 X 2" RD.H.M.S. 3/8" D. SEX BOLT	1/4" - 20 X 2" RD.H.M.S 3/8" D. SEX BOLT

ALWAYS REQUEST LATEST TEMPLATE DRAWINGS FOR NEW INSTALLATIONS

DO NOT SCALE DRAWINGS ALL DIMENSIONS ARE IN INCHES

8000-HD8000-1-02.DWG

8010/HD8010 SERIES HOLDERS, 8020/HD8020 SERIES STOPS

SURFACE MOUNTED

REVERSIBLE/NON-HANDED

FOR DEAD STOP ADD 15/16" TO "A" DIMENSION

ALL DRILLING & TAPPING TO BE DONE IN FIELD
ALL DIMENSIONS SHOWN IN INCHES

		1-3/4" TO 2-3/8" DOOR THICKNESS BUTT & OFFSET PIVOT											
DEGREE		85° H.O.		90° H.O.		95° H.O.		100° H.O.		105° H.O.		110° H.O.	
MODEL NO.	DOOR OPENING	A	B	A	B	A	B	A	B	A	B	A	B
8010	27" TO 32-7/16"	10-7/8	8-9/16	10-5/16	8	9-13/16	7-1/2	9-7/16	7-1/8	9-1/16	6-7/8	8-3/4	6-7/16
8011	32-1/2" TO 38-1/16"	15	11-3/16	14-5/16	10-1/2	13-11/16	9-7/8	13-3/16	9-3/8	12-3/4	8-15/16	12-3/8	8-9/16
8012	38-3/4" TO 42-7/16"	19-5/8	14	18-13/16	13-3/16	18-1/16	12-7/16	17-7/16	11-13/16	16-15/16	11-5/16	16-7/16	10-13/16
8013	42-1/2" & UP	22-1/4	15-11/16	21-5/16	14-3/4	20-9/16	14	19-13/16	13-1/4	19-3/16	12-5/8	18-3/4	12-3/16

"A" & "B" DIMENSIONS MEASURED FROM CENTER LINE OF PIVOT - NOT EDGE OF DOOR

		1-1/4" TO 1-5/8" DOOR THICKNESS BUTT & OFFSET PIVOT											
DEGREE		85° H.O.		90° H.O.		95° H.O.		100° H.O.		105° H.O.		110° H.O.	
MODEL NO.	DOOR OPENING	A	B	A	B	A	B	A	B	A	B	A	B
8010	27" TO 32-7/16"	11-1/8	8-13/16	10-1/2	8-5/16	10-1/8	7-13/16	9-3/4	7-7/16	9-3/8	7-1/16	9-1/16	6-3/4
8011	32-1/2" TO 38-1/16"	15-3/16	11-3/8	14-7/16	10-5/8	13-7/8	10-1/16	13-3/8	9-9/16	12-7/8	9-1/16	12-1/2	8-11/16
8012	38-3/4" TO 42-7/16"	19-13/16	14-3/16	18-15/16	13-5/16	18-1/4	12-5/8	17-5/8	12	17-1/16	11-7/16	16-9/16	10-15/16
8013	42-1/2" & UP	22-7/16	15-7/8	21-1/2	14-15/16	20-3/4	14-3/16	20-1/16	13-1/2	19-7/16	12-7/8	18-15/16	12-3/8

		1-3/4" TO 2-3/8" DOOR THICKNESS CENTER HUNG											
DEGREE		85° H.O.		90° H.O.		95° H.O.		100° H.O.		105° H.O.		110° H.O.	
MODEL NO.	DOOR OPENING	A	B	A	B	A	B	A	B	A	B	A	B
8010	29-1/2" TO 34-15/16"	11-5/8	9-5/16	11-1/16	9-11/16	10-1/2	8-5/16	10-3/16	7-7/8	9-13/16	7-1/2	9-1/2	7-3/16
8011	35" TO 41-7/16"	15-11/16	11-7/8	14-15/16	11-1/8	14-1/4	10-7/16	13-7/8	10-1/16	13-7/16	9-5/8	13-1/16	9-1/4
8012	41-1/2" TO 44-15/16"	20-5/16	14-11/16	19-7/16	13-13/16	18-3/4	13-1/8	18-1/16	12-7/16	17-7/16	11-13/16	17-1/16	11-7/16
8013	45" & UP	22-7/8	16-5/16	21-15/16	15-3/8	21-1/8	14-9/16	20-7/16	13-7/8	19-13/16	13-1/4	19-1/4	12-11/16



www.abhmf.com
E-mail: abhinfo@abhmf.com
Architectural Builders Hardware Mfg., Inc.
1222 Ardmore Ave., Itasca, IL 60143
630.875.9900; FAX 800.9FAXABH (932.9224)

©2012 ABH Mfg., Inc.
printed in USA

8000/HD8000

REVISED 04-23-12

HD8000-2-02.DWG