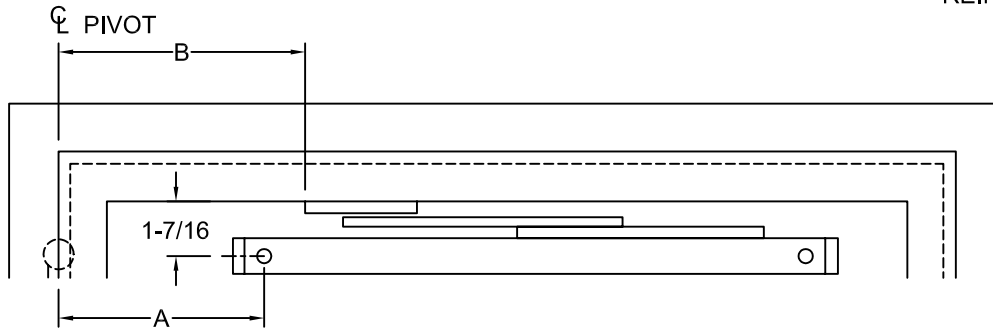
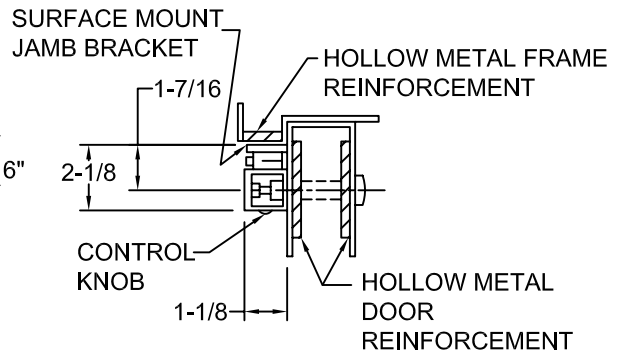
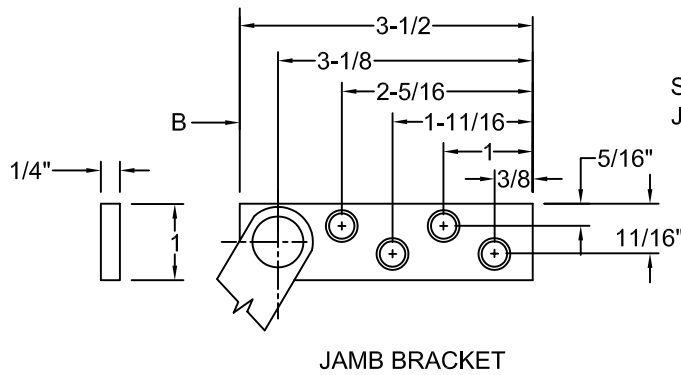
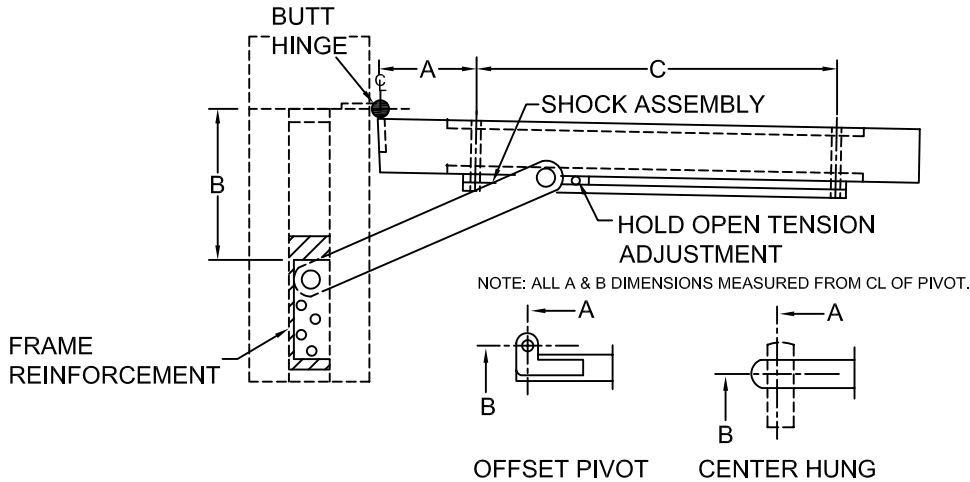


9000 ADJUSTABLE SERIES HOLDER & STOPS

REVERSIBLE

FOR SINGLE ACTING DOORS ONLY

NON - HANDED



NOTE: A, B, & C DIMENSIONS MEASURED AS SHOWN
 NOTE: ALL A, B & C DIMENSIONS MEASURED FROM CL OF PIVOT.

SCREW DETAIL			
	QTY	WOOD	METAL
JAMB	4	#14 X 1-1/2" F.H.W.S.	1/4" - 20 X 3/4" F.H.M.S.
DOOR	2	5/16" -18 x 2" TRUSS HD. M.S. 1/2" DIA. SEX BOLT	5/16" -18 x 2" TRUSS HD. M.S. 1/2" DIA. SEX BOLT

ALWAYS REQUEST LATEST TEMPLATE DRAWINGS FOR NEW INSTALLATIONS

DO NOT SCALE DRAWINGS
 ALL DIMENSIONS ARE IN INCHES



® www.abhmfg.com
 E-mail: abhinfo@abhmfg.com
 Architectural Builders Hardware Mfg., Inc.
 1222 Ardmore Ave., Itasca, IL 60143
 630.875.9900; FAX 800.9FAXABH (932.9224)

ABH is a minority owned and operated manufacturing company.

© 2004 ABH Mfg., Inc.
 printed in USA

9000ADJ-1-00.DWG

9000ADJ

ISSUED 06-21-04

9010ADJ SERIES HOLDERS, 9020ADJ SERIES STOPS & 9030ADJ SERIES FRICTION SURFACE MOUNT

REVERSIBLE / NON-HANDED

SEE OTHER SIDE FOR INSTALLATION INSTRUCTIONS
 SELECT PROPER DIMENSIONS FROM CHART BELOW
 ALL DRILLING AND TAPPING TO BE DONE IN FIELD
 ALL DIMENSIONS SHOWN IN INCHES
 FOR SINGLE ACTING DOOR ONLY

MODEL NO.	DOOR OPENING	SET FOR 95° H.O.		
		A	B	C
9011A	28-31 ¹⁵ / ₁₆	2- ¹ / ₄	6- ³ / ₄	20- ¹⁵ / ₁₆
9021A				
9031A				
9012A	32-39 ¹⁵ / ₁₆	5	7- ³ / ₄	22- ¹³ / ₁₆
9022A				
9032A				
9013A	40-43 ¹⁵ / ₁₆	10- ⁵ / ₈	9- ⁵ / ₈	25- ⁵ / ₈
9023A				
9033A				
9014A	44+	13- ³ / ₈	10- ¹ / ₂	26- ⁷ / ₈
9024A				
9034A				

1-3/4" TO 2-1/4"
 DOOR THICKNESS
 BUTT & OFFSET PIVOTS

TO CHANGE H.O. OR STOP DEGREE

1. LOOSEN "ARM SCREW A" IN SLOTTED SECTION. SEE FIG. 1.
DO NOT REMOVE.
2. REMOVE "ARM SCREW B" ONLY. SEE FIG. 1.
3. OPEN DOOR TO DESIRED DEGREE.
4. POSITION "SLIDE BLOCK (CAM)" AGAINST END OF RAIL CLOSEST TO HINGE EDGE OF DOOR. SEE FIG. 2.
5. INSTALL "ARM SCREW B" IN ARM AND SECURE.
6. TIGHTEN "ARM SCREW A" SECURELY.

CAUTION: ARM SCREW "B" MUST BE INSTALLED AND BOTH SCREWS "A" AND "B" SECURED OR UNIT WILL FAIL TO HOLD POSITION

"A" AND "B" DIMENSIONS MEASURED FROM CENTER LINE OF PIVOT-NOT EDGE OF DOOR

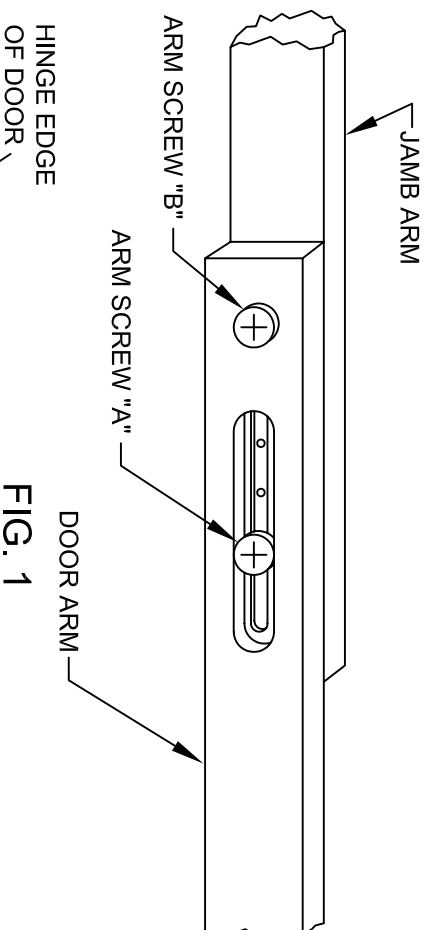


FIG. 1

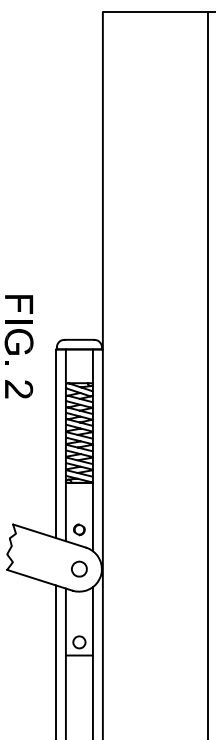
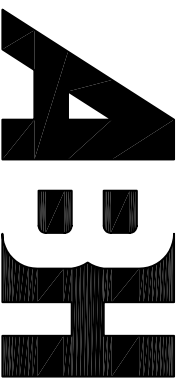


FIG. 2



www.abhmfy.com
 E-mail: abhinfo@abhmfy.com
 Architectural Builders Hardware Mfg., Inc.
 1222 Ardmore Ave., Itasca, IL 60143
 630.875.9900; FAX 800.9FAXABH (932.9224)

ABH is a minority owned and operated manufacturing company.

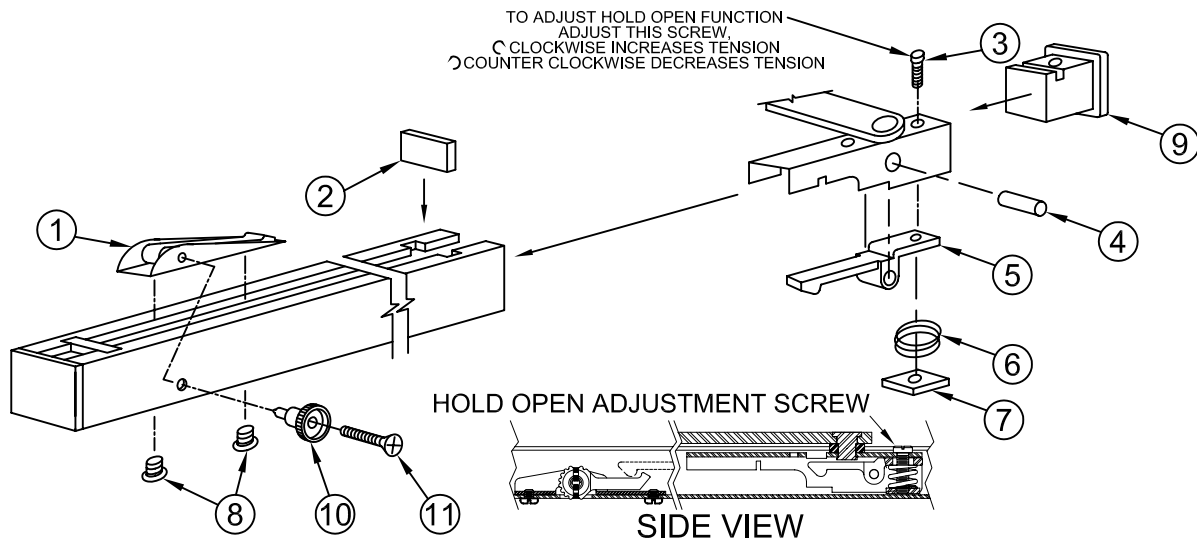
© 2004 ABH Mfg., Inc.
 printed in USA

9000ADJ
 ISSUED 06-21-04

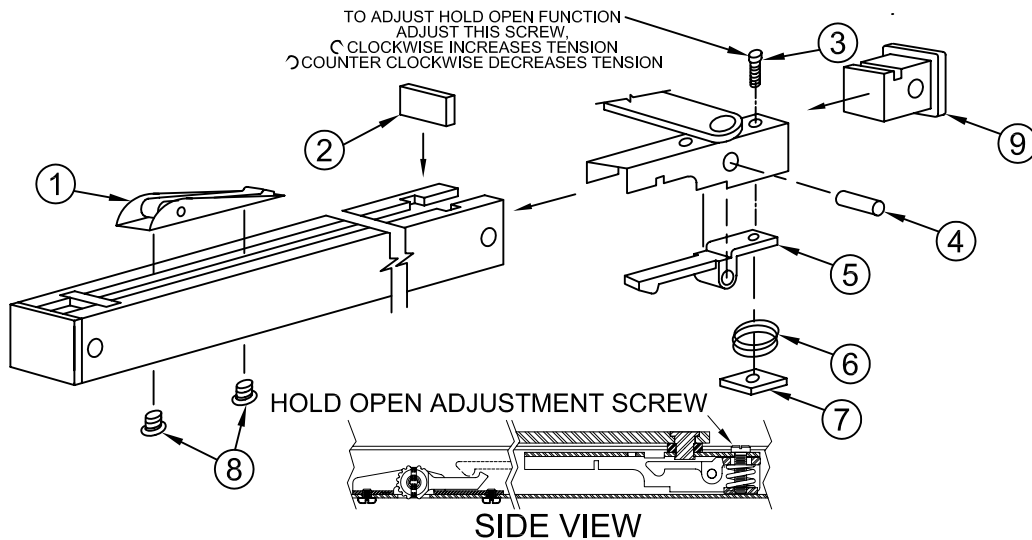
9000ADJ-2-00.DWG

CONVERSION PART LIST FOR MODELS 1000/1000ADJ/9000/9000ADJ		
ITEM	QTY	DESCRIPTION
1	1	CHANNEL HOLD-OPEN ASSEMBLY
2	1	RETAINING CLIP
3	1	HOLD-OPEN TENSION SCREW-L.H. THREAD
4	1	3/16 DIA. X .940 LONG PIN
5	1	CAM HOLD-OPEN LEVER
6	1	HOLD-OPEN TENSION SPRING
7	1	HOLD-OPEN TENSION PLATE
8	2	10-32 X 1/4" SCREWS
9	0	END PLUG (NOT SUPPLIED)
10	1	CONTROL KNOB
11	1	10-32 X 1" SCREW

**1000/1000ADJ HOLD-OPEN CONVERSION
TO DISASSEMBLE REMOVE RETAINING CLIP AND END
PLUG FROM NON-SPRING END ONLY
INSTALLED UNITS MUST BE REMOVED FROM DOOR**



**9000/9000ADJ HOLD-OPEN CONVERSION
TO DISASSEMBLE REMOVE RETAINING CLIP AND END
PLUG FROM NON-SPRING END ONLY
INSTALLED UNITS MUST BE REMOVED FROM DOOR**



® www.abhmfg.com
E-mail: abhinfo@abhmfg.com
Architectural Builders Hardware Mfg., Inc.
1222 Ardmore Ave., Itasca, IL 60143
630.875.9900; FAX 800.9FAXABH (932.9224)

© 2007 ABH Mfg., Inc.
printed in USA

1000-9000-CON-02.DWG

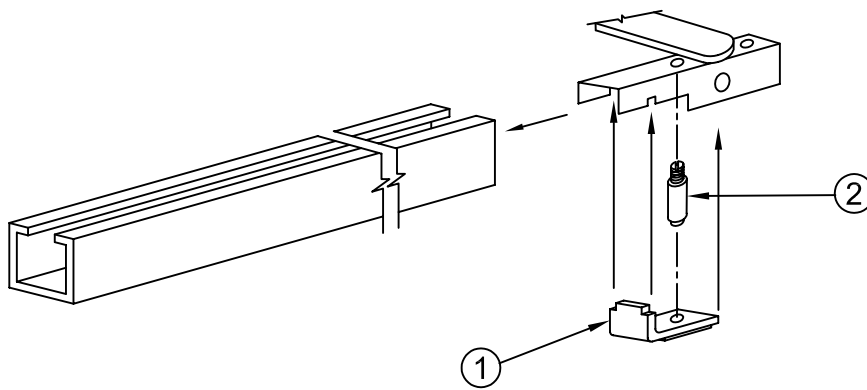
**1000/9000
H.O. KIT**

REVISED 03-28-07

FRICTION CONVERSION PART LIST FOR ALL MODELS

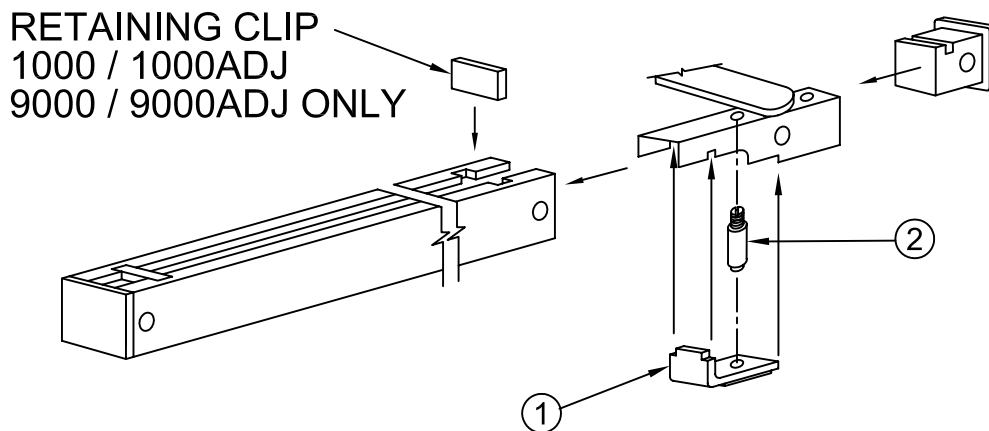
ITEM	QTY	DESCRIPTION
1	1	FRICTION ADJUSTMENT SCREW
2	1	FRICTION ADJUSTMENT ASSEMBLY

4000 FRICTION CONVERSION DRILL OUT EYELET FROM CHANNEL FROM NON-SPRING END



INSTALLED UNITS MUST BE REMOVED FROM DOOR

1000 / 1000ADJ / 3300ADJ / 4400 / 9000 / 9000ADJ FRICTION CONVERSION TO DISASSEMBLE REMOVE RETAINING CLIP AND END PLUG FROM NON-SPRING END ONLY



INSTALLED UNITS MUST BE REMOVED FROM DOOR



www.abhmfg.com
 E-mail: abhinfo@abhmfg.com
 Architectural Builders Hardware Mfg., Inc.
 1222 Ardmore Ave., Itasca, IL 60143
 630.875.9900; FAX 800.9FAXABH (932.9224)

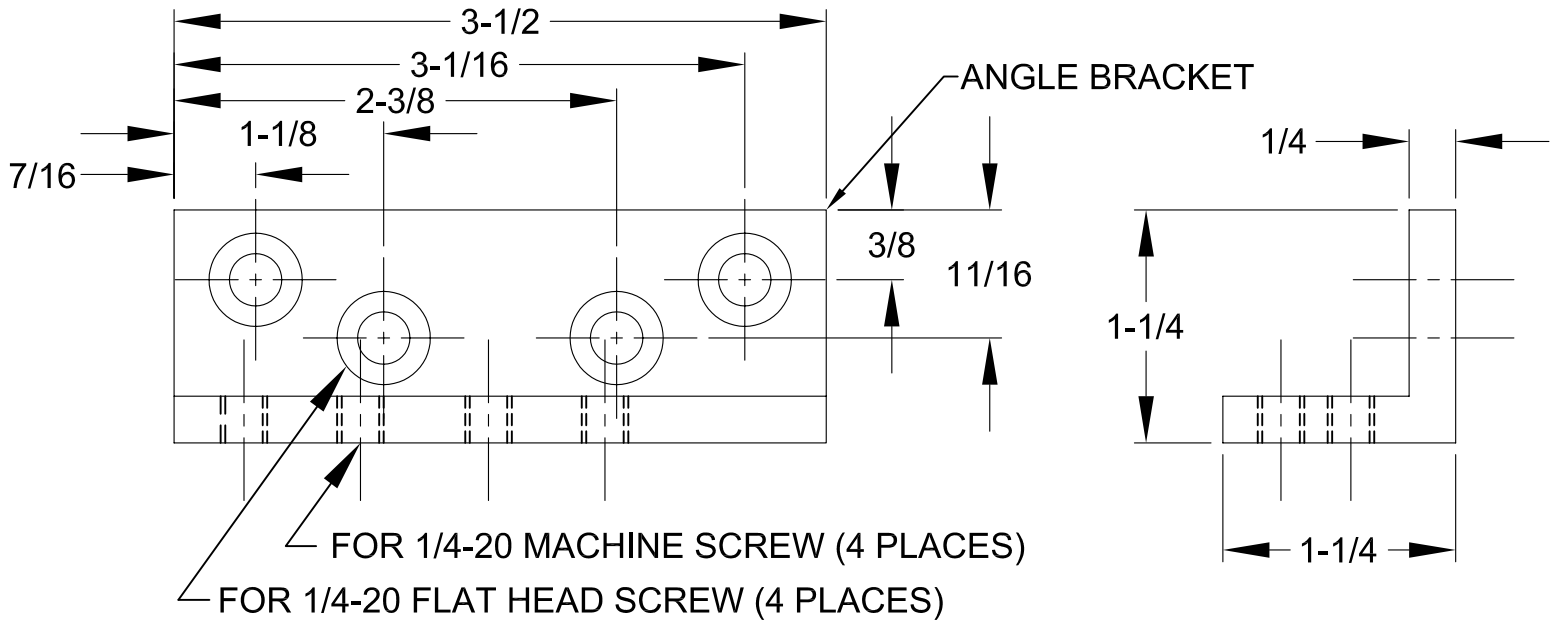
1000 / 1000ADJ / 3300ADJ / 4000
 4400 / 9000 / 9000ADJ
FRICTION KIT

© 2007 ABH Mfg., Inc.
 printed in USA

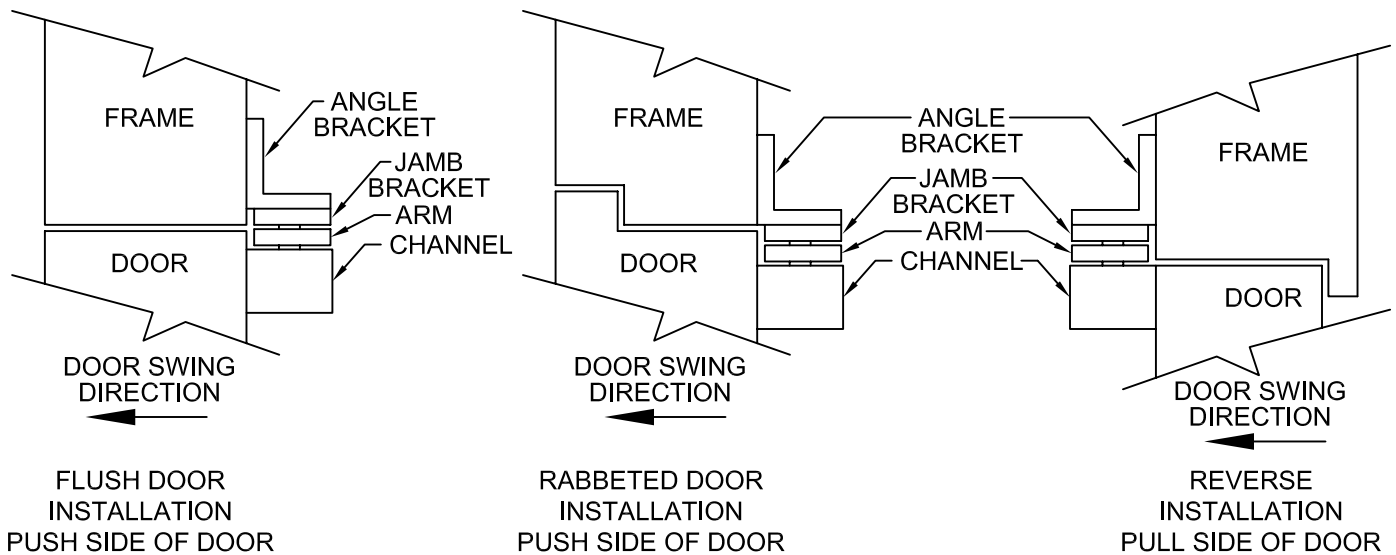
REVISED 05-04-07

FRICTION CONVERSION-01.DWG

ANGLE BRACKET FOR 8000 STOP ONLY, 9000 & 9000ADJ HOLDERS AND STOPS



THE ANGLE BRACKET IS SECURED TO THE HEADER WITH WOOD OR MACHINE SCREWS. THE JAMB BRACKET FASTENS TO THE ANGLE BRACKET WITH MACHINE SCREWS. THE CHANNEL MOUNTS ON THE DOOR WITH SEX BOLTS. REVERSE INSTALLATION METHOD IS NOT RECOMMENDED FOR EXTERIOR DOORS OPENING OUT.



www.abhmfg.com
 E-mail: abhinfo@abhmfg.com
 Architectural Builders Hardware Mfg., Inc.
 1222 Ardmore Ave., Itasca, IL 60143
 630.875.9900; FAX 800.9FAXABH (932.9224)

ABH is a minority owned and operated manufacturing company.

90541-00.DWG

© 2004 ABH Mfg., Inc. printed in USA

90541

ISSUED 08-06-04