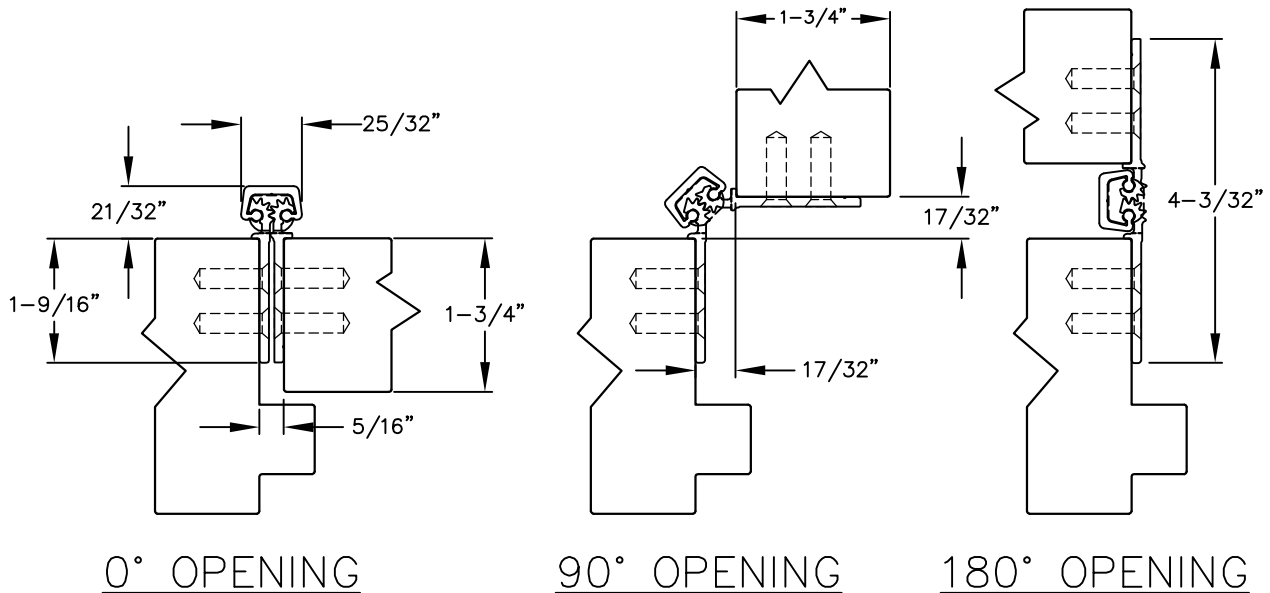
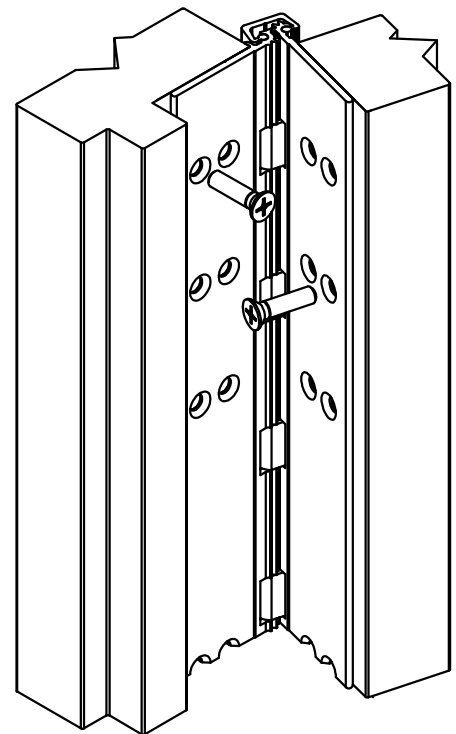


# A110HD/A110LL SERIES

STANDARD/HEAVY DUTY AND LEAD LINED  
FLUSH MOUNTED



- >> MATERIAL: EXTRUDED 6063-T6 ALUMINUM ALLOY WITH POLYACETAL THRUST BEARINGS
- >> COLOR: 30 MINUTE CLEAR ANODIZED AND 2-STEP DARK BRONZE ANODIZED
- >> CUSTOM HOLE LOCATIONS: HOLE SIZES & LOCATIONS PER CUSTOMER SPECIFICATIONS.
- >> DOOR TYPE: FOR 1-3/4" DOORS, STANDARD & HEAVY DUTY UP TO 450 LBS. LEAD-LINED TO 1000 LBS.
- >> DOOR REINFORCEMENT: NONE REQUIRED.
- >> FRAME REINFORCEMENT: OVER 200 LBS. REINFORCE WITH 16 GA. CHANNEL.
- >> SPECIAL FEATURES: LEAD LINED MODEL FOR HOSPITAL X-RAY ROOM. DOUBLE ROW SCREWS TO STRADDLE LEAD.
- >> HINGE KING: TEMPLATED AND HOLE PATTERN IS THE SAME FROM HINGE TO HINGE.
- >> HANDING: HINGE IS NON-HANDED UNLESS CUT IN THE FIELD.
- >> FIRE RATING: UL LISTED FOR 90 MINUTE RATED DOORS. UL LISTED FOR UP TO 3 HOUR RATED DOORS WITH USE OF A STEEL STUD.
- >> SCREW DETAIL: 12-24 X 7/8" PH. F.H. UNDERCUT SELF DRILLING THREAD FORMING TEK SCREW



ABH MODEL NUMBER	LENGTH		SCREW COUNT	
	INCHES	CENTIMETERS	# FOR DOOR	# FOR JAMB
A110HD83 (STD/HD)	83	210.8	19	19
A110HD85 (STD/HD)	85	215.9	19	19
A110HD95 (STD/HD)	95	241.3	21	21
A110HD120 (STD/HD)	120	304.8	23	23
A110LL83 (LEAD LINED)	83	210.8	26	26
A110LL85 (LEAD LINED)	85	215.9	26	26
A110LL95 (LEAD LINED)	95	241.3	30	30
A110LL120 (LEAD LINED)	120	304.8	34	34



® [www.abhmfg.com](http://www.abhmfg.com)  
 E-mail: [abhinfo@abhmfg.com](mailto:abhinfo@abhmfg.com)  
 Architectural Builders Hardware Mfg., Inc.  
 1222 Ardmore Ave., Itasca, IL 60143  
 630.875.9900; FAX 800.9FAXABH (932.9224)

© 2010 ABH Mfg., Inc.  
 printed in USA

A110-01.DWG

## A110

REVISED 10-28-10