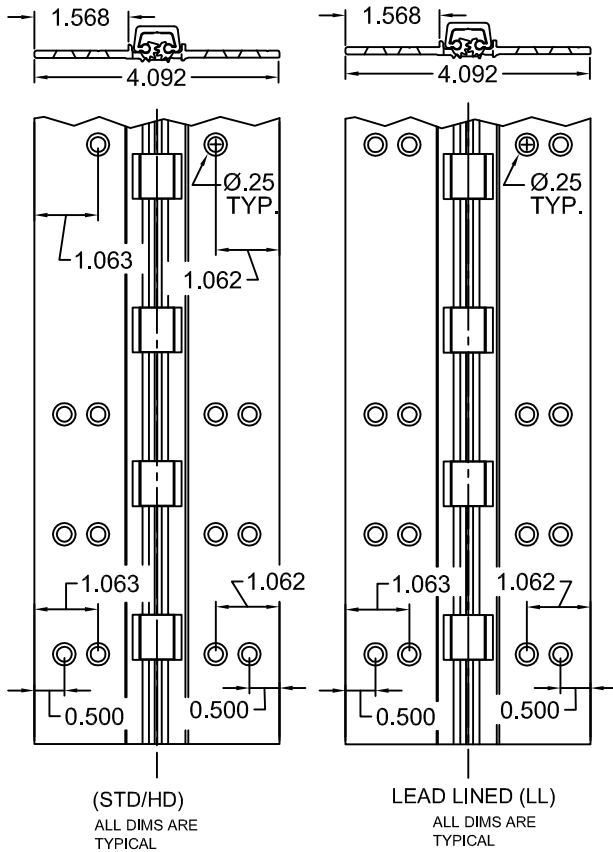
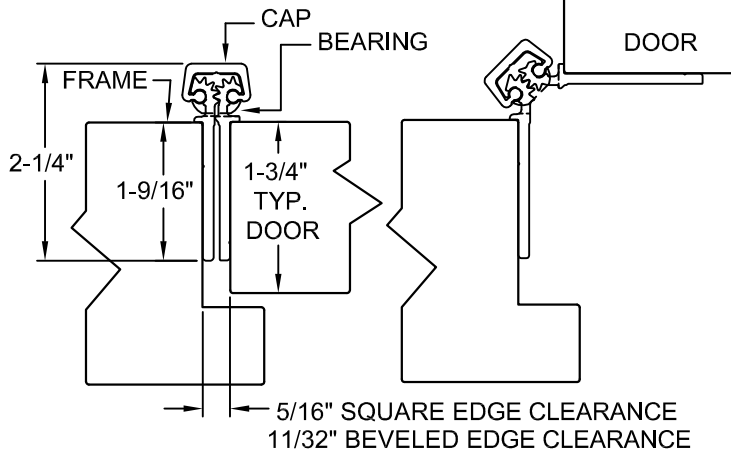


# A110HD95/A110LL95

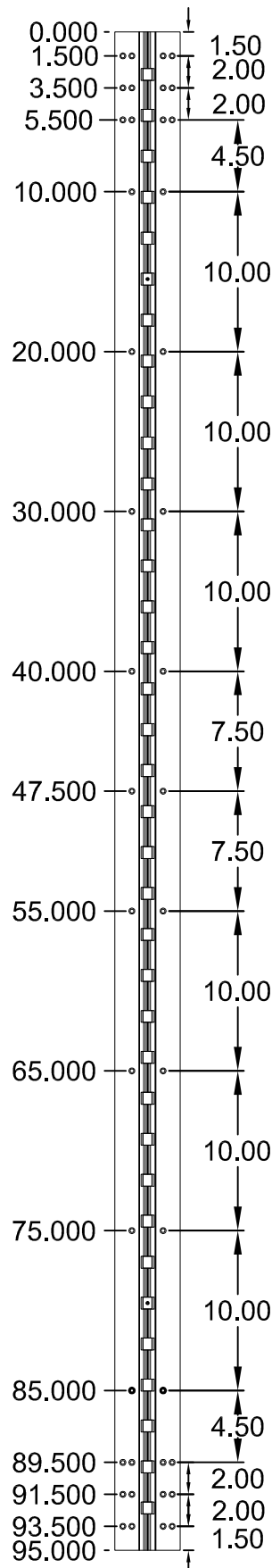
## 95" LONG



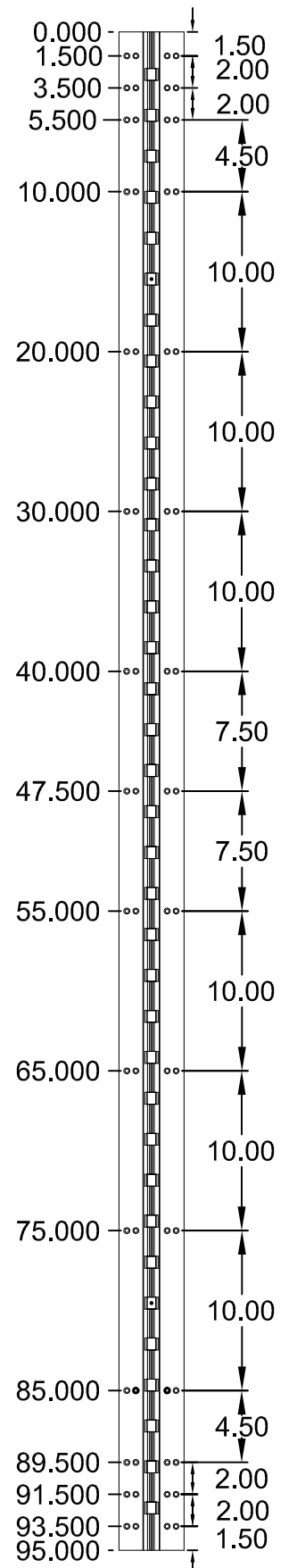
### SCREW DETAIL

	MODEL		DESCRIPTION
	STD/HD QTY.	LL QTY.	
FRAME	21	30	12-24 X 7/8" PH. F.H. UNDERCUT SELF DRILLING THREAD FORMING TEK SCREW
DOOR	21	30	12-24 X 7/8" PH. F.H. UNDERCUT SELF DRILLING THREAD FORMING TEK SCREW

### A110HD95-STD/HD



### A110LL95-LEAD LINED



ALL DIMENSIONS ARE TO CENTERLINE OF HOLES



® www.abhmf.com  
E-mail: abhinfo@abhmf.com  
Architectural Builders Hardware Mfg., Inc.  
1222 Ardmore Ave., Itasca, IL 60143  
630.875.9900; FAX 800.9FAXABH (932.9224)

A110-95-02.DWG

© 2010 ABH Mfg., Inc.  
printed in USA

**A110-95**  
REVISED 10-28-10