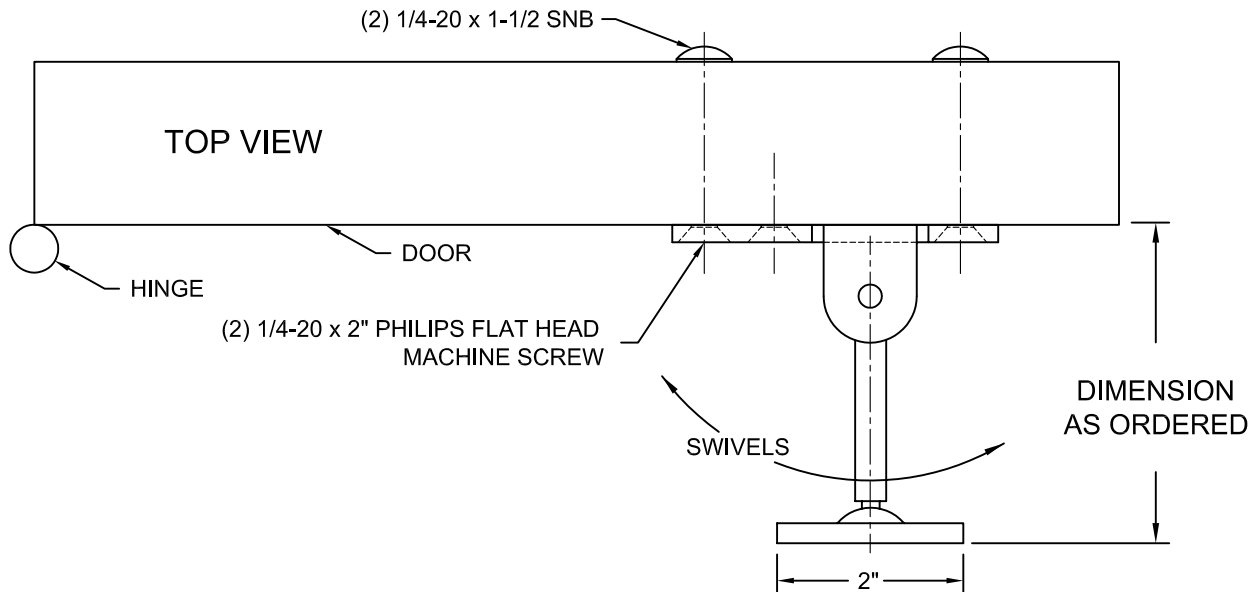
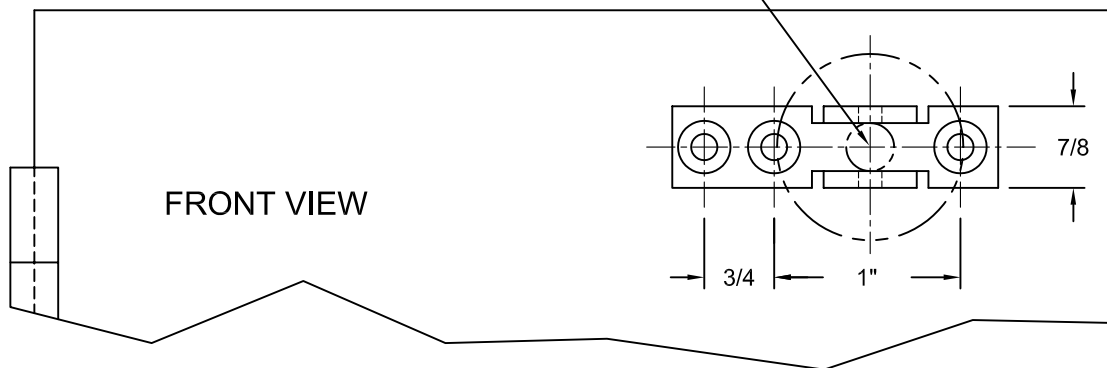


S20020 SPECIAL EXTENSION



TO BE MOUNTED HORIZONTALLY ON PULL SIDE OF DOOR

CENTER LINES OF ARMATURE MUST LINE UP WITH CENTER LINES OF MAGNET



FABRICATION NOTE: USE REQUIRED DIMENSION AND SUBTRACT BY $1\text{-}\frac{1}{16}$ FOR OVERALL ROD LENGTH.



® www.abhmfg.com
E-mail: abhinfo@abhmfg.com
Architectural Builders Hardware Mfg., Inc.
1222 Ardmore Ave., Itasca, IL 60143
630.875.9900; FAX 800.9FAXABH (932.9224)

© 2007 ABH Mfg., Inc.
printed in USA

S20020

REVISED 05-08-07

S20020-03.DWG