



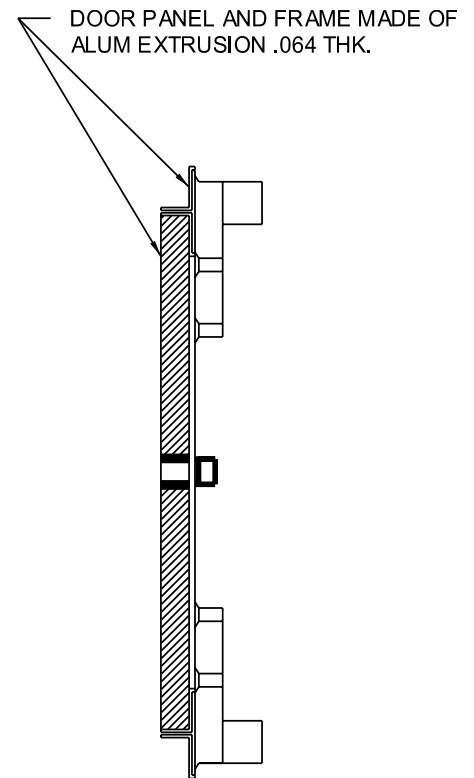
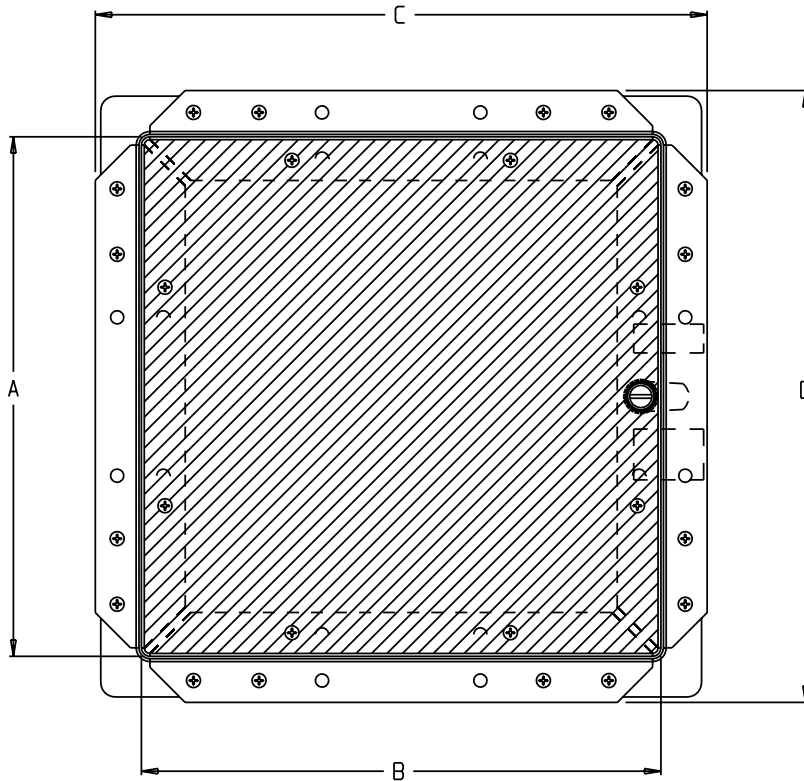
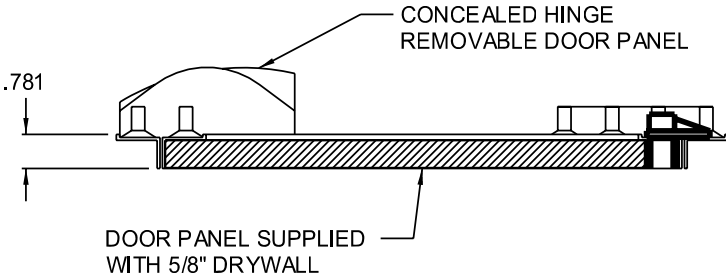
ACUDOR Products Inc.

(Address 1) 80 Little Falls Rd, Fairfield NJ 07004 USA
(Address 2) 4216 N. Pecos Rd, Ste. 104 Las Vegas, NV 89115
Tel : 800-722-0501 Fax : (973) 575-5160
www.acudor.com e-mail : info@acudor.com

BAUCO BP-58

DRYWALL INSERT

QTY	NOMINAL SIZE	A	B	C	D	WALL/ CEILING OPENING	LOCK
	12 x 12 (305 x 305)	11.89 (302)	11.89 (302)	14.00 (356)	14.00 (356)	12.25 x 12.25 311 x 311	1
	18 x 18 (457 x 457)	17.89 (454)	17.89 (454)	20.00 (508)	20.00 (508)	18.25 x 18.25 464 x 464	2
	24 x 24 (610 x 610)	23.89 (607)	23.89 (607)	26.00 (660)	26.00 (660)	24.25 x 24.25 616 x 616	2
	24 x 36 (610 x 914)	35.89 (912)	23.89 (607)	26.00 (660)	38.00 (965)	24.25 x 36.25 616 x 921	2



STANDARD FEATURES:

SCREW DRIVER CAM LATCH; REMOVABLE DOOR PANEL;
UNIT IS SUPPLIED WITH 5/8" (OR 1/2") DRYWALL IN DOOR PANEL;
ALUMINUM DOOR AND FRAME - MILL FINISH

OPTIONS: LOCK TYPE

- TAMPER RESISTANT TORX HEAD
- CONCEALED TOUCH LATCH
- CYLINDER LOCK & KEY

JOB NAME:
CUSTOMER:

APPROVED BY:
DATE: