



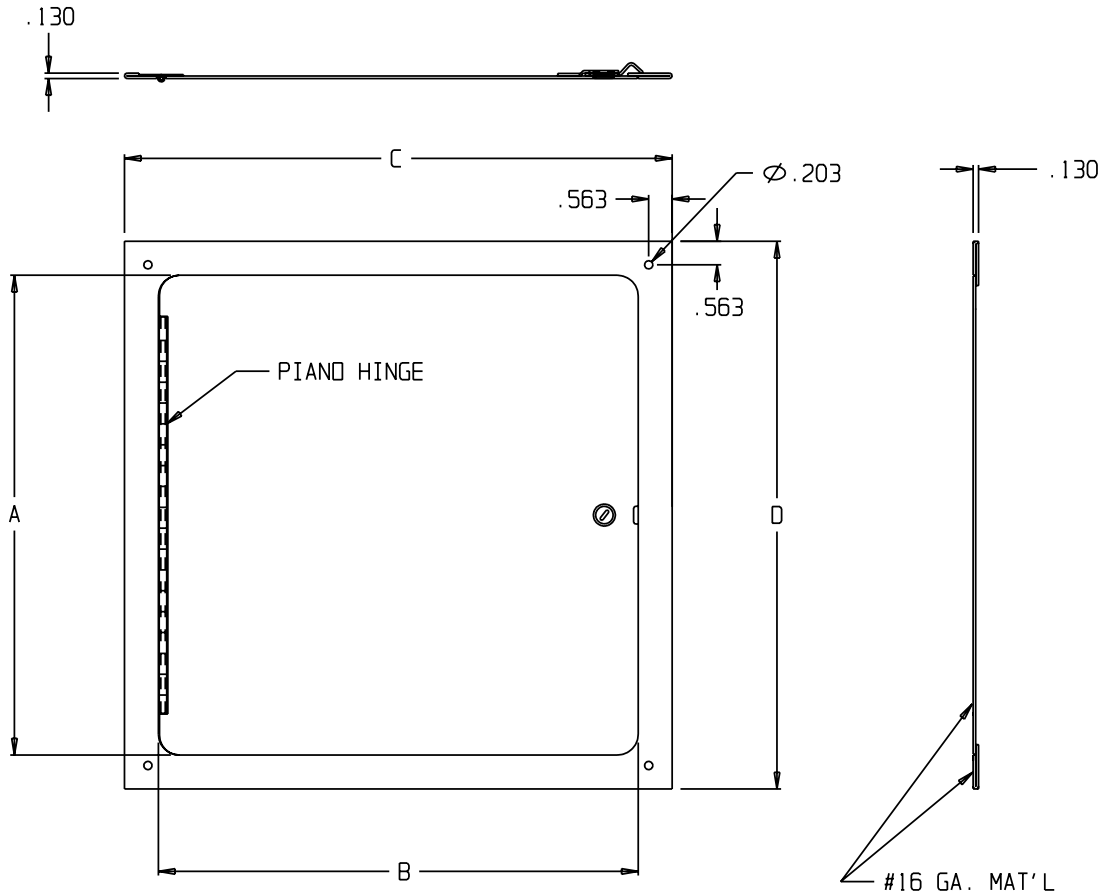
ACUDOR Products Inc.

(Address 1) 80 Little Falls Rd. Fairfield NJ 07004 USA
 (Address 2) 4216 N. Pecos Rd, Ste. 104 Las Vegas, NV 89115
 Tel : 800-722-0501 Fax : (973) 575-5160
 www.acudor.com e-mail : info@acudor.com

SF-2000

SURFACE MOUNTED

QTY.	NOMINAL SIZE	A	B	C	D	WALL / CEILING OPENING	LOCK
	8 x 8 (203 x 203)	7.50 (190)	7.50 (190)	9.125 (232)	9.125 (232)	7.5 x 7.5 (191 x 191)	1
	12 x 12 (305 x 305)	11.50 (292)	11.50 (292)	13.125 (333)	13.125 (333)	11.5 x 11.5 (292 x 292)	1
	16 x 16 (406 x 406)	15.50 (394)	15.50 (394)	17.125 (435)	17.125 (435)	15.5 x 15.5 (394 x 394)	2
	18 x 18 (457 x 457)	17.50 (445)	17.50 (445)	19.125 (486)	19.125 (486)	17.5 x 17.5 (444 x 444)	2
	24 x 24 (610 x 610)	23.50 (597)	23.50 (597)	25.125 (638)	25.125 (638)	23.5 x 23.5 (597 x 597)	4



STANDARD FEATURES: STAINLESS STEEL SCREW DRIVER OPERATED CAM LATCH,
 CARBON STEEL, PRIME COAT BAKED ENAMEL FINISH

OPTIONS:

- LOCK TYPE**
- CYLINDER LOCK & KEY
 - ALLEN HEAD CAM LATCH
 - SPANNER HEAD CAM LATCH
 - OTHER

- MATERIAL**
- STAINLESS STEEL
 - OTHER

- FINISH**
- #4 SATIN POLISH
 - OTHER

JOB NAME:
 CUSTOMER:

APPROVED BY:
 DATE: