



High-quality, architecturally pleasing, innovative access doors for walls, ceilings, ducts, floors and roofs



Floor Door Non Hinged, Panel Recessed 1/8" for Vinyl Tile/Carpet FT-8080

Application

- Designed for interior and exterior applications that require an access opening that will blend in with the surrounding floor material

Product Features

- Recessed 1/8" to accommodate carpeting and vinyl tile.
- To keep the floor material from cracking or chipping within the door panel, the securing screws are located in the flange of the mounting frame

FT-8080 Floor Door Specifications:

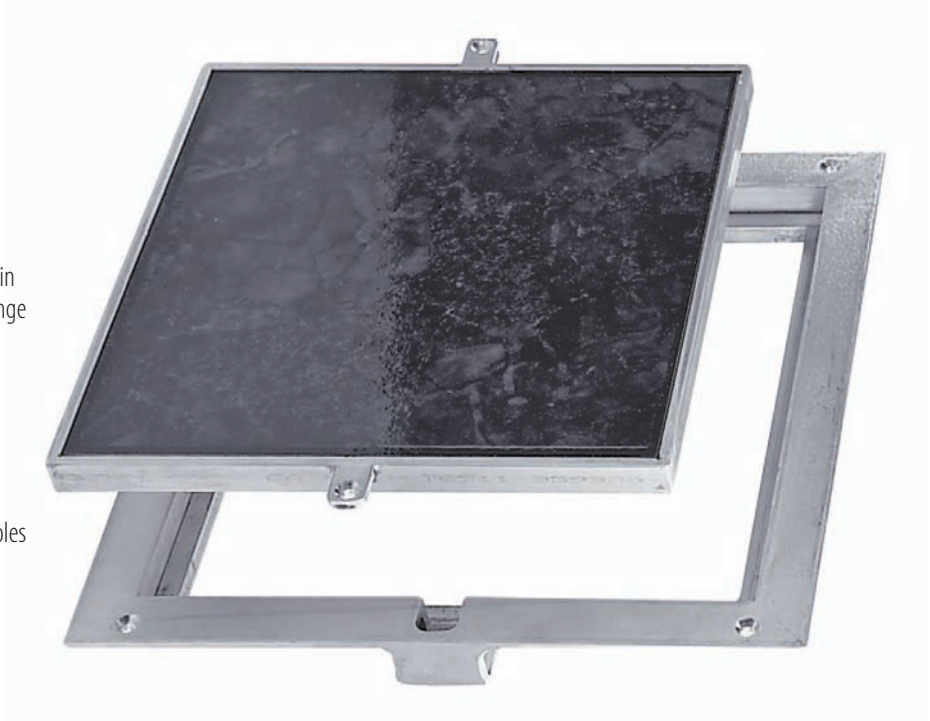
Material: Aluminum

Door: 1/4" smooth aluminum plate reinforced for live load of 150 pounds/sq. ft., recessed 1/8" for carpet/vinyl tile

Frame: 1-1/2" x 1-1/4" aluminum angle with mounting holes in top flange

Standard Latch: Door panel is secured to frame with 1/4" x 1" flat head screws

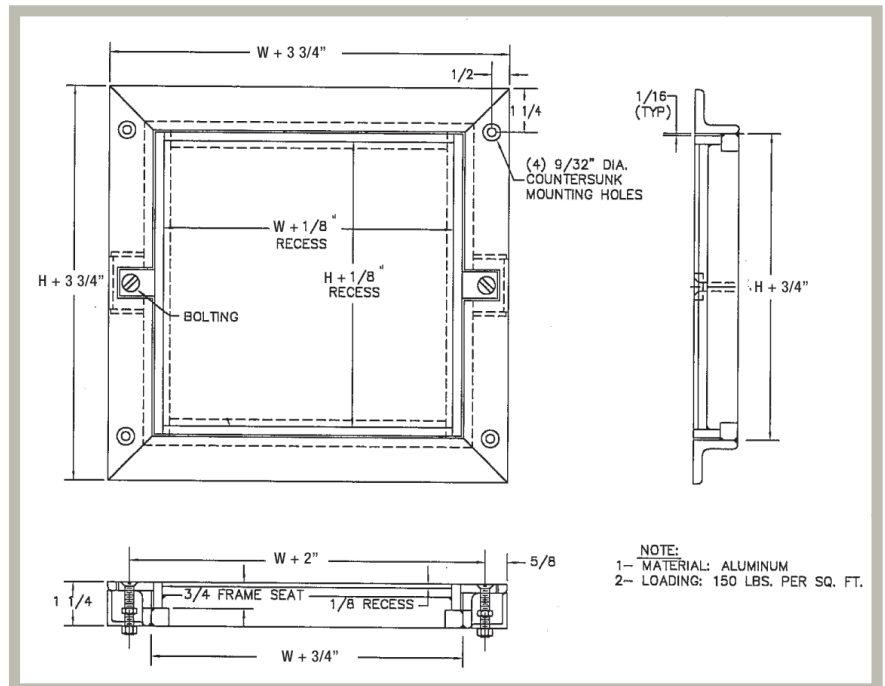
Finish: Mill finish



AVAILABLE SIZES (Special sizes available upon request)

NOMINAL DOOR SIZE W X H		WEIGHT PER DOOR	
inches	mm	lbs.	kg.
8 X 8	203 X 203	6	2.7
12 X 12	305 X 305	9	4.1
18 X 18	457 X 457	18	8.2
24 X 24	610 X 610	36	16.3

For detailed specifications see submittal sheet



For more information on Acudor Products Inc. visit www.acudor.com or call 800.722.0501

Product specifications may change without notice. Acudor is a registered Trade Mark ©2009