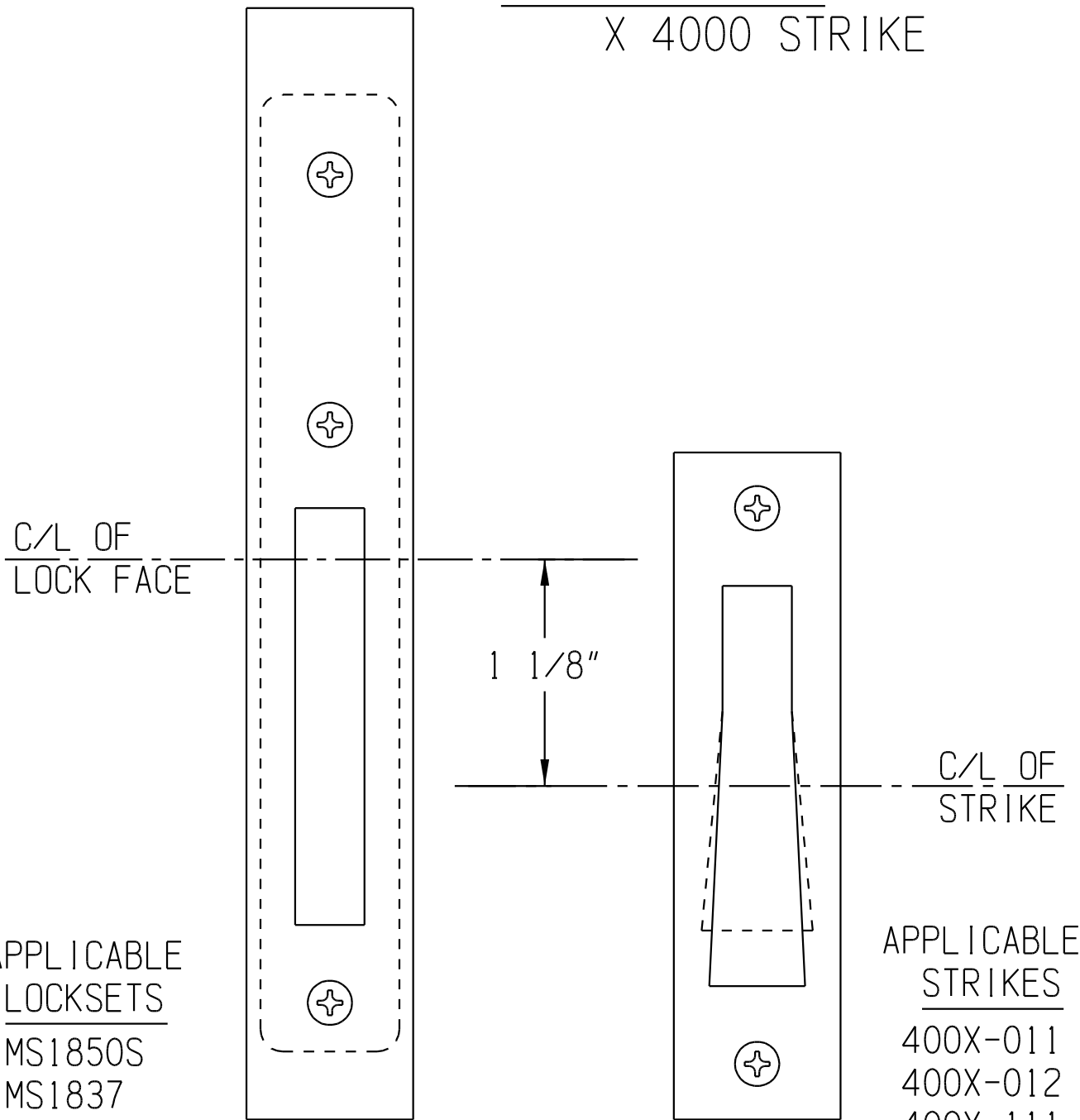


MS STANDARD BOLT (NON-HOOK)
X 4000 STRIKE

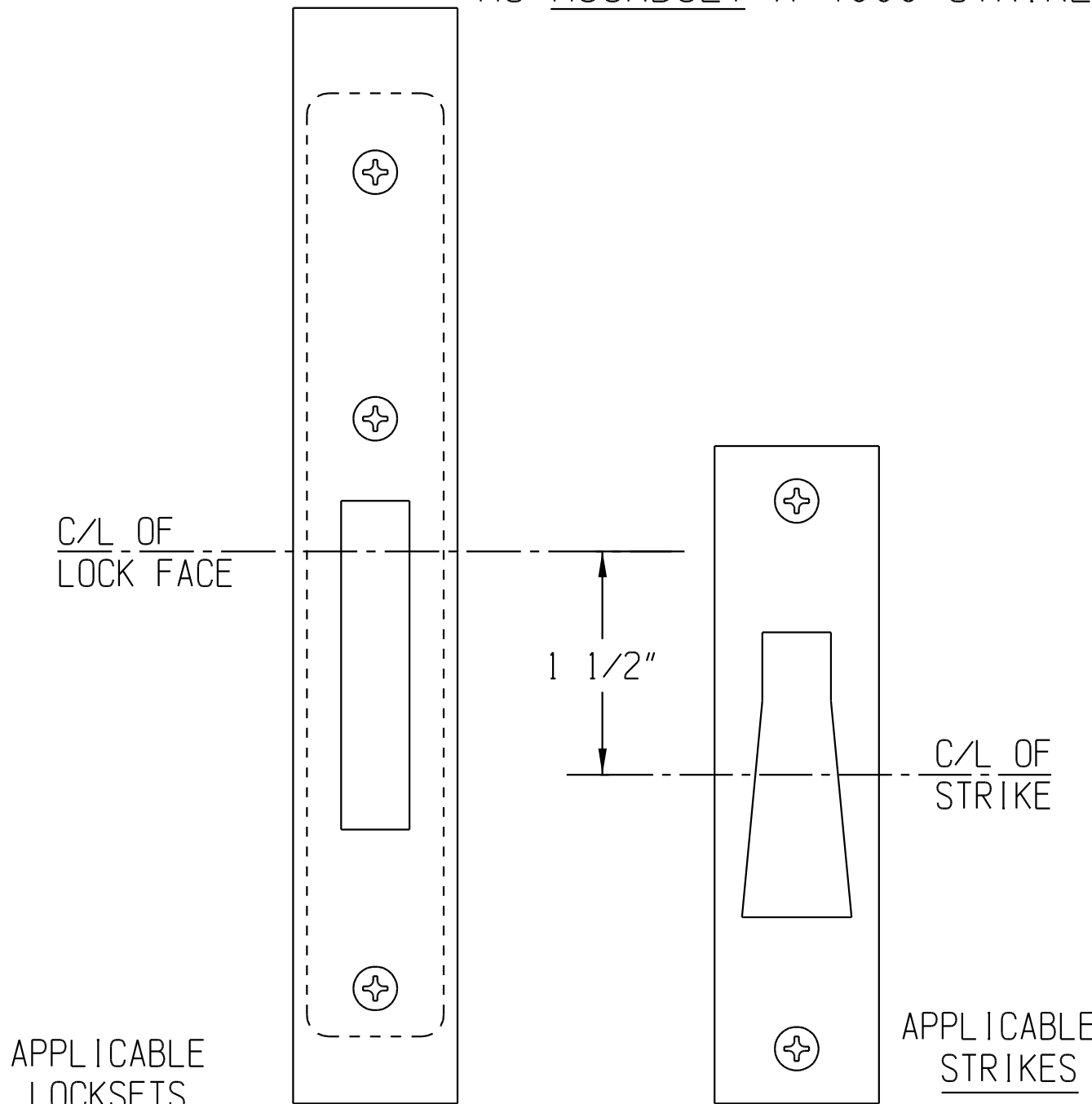


APPLICABLE
LOCKSETS
MS1850S
MS1837
MS1850SNSI
1850-020

*4000/4001/4002
STRIKES

APPLICABLE
STRIKES
400X-011
400X-012
400X-111
400X-112
400X-021
400X-022
400X-121
400X-122

MS HOOKBOLT X 4000 STRIKE



APPLICABLE
LOCKSETS
MS1850S-050
MS1850SNSI-450

*4000/4001/4002
STRIKES

APPLICABLE
STRIKES
400X-031
400X-032
400X-131
400X-132

PRODUCT MUST BE INSTALLED
ACCORDING TO ALL APPLICABLE
BUILDING AND LIFE SAFETY CODES



www.adamsrite.com
Phone: 800-626-7590
800-872-3267
Fax: 866-582-4641
800-232-7329

80-0180-11

*4000 / 4001 / 4002 STRIKE

INSTALLATION INSTRUCTIONS

Rev. **D**

Ecn 11955A

Date: 06-20-12

Page 1 of 1

Appvd:

Date: