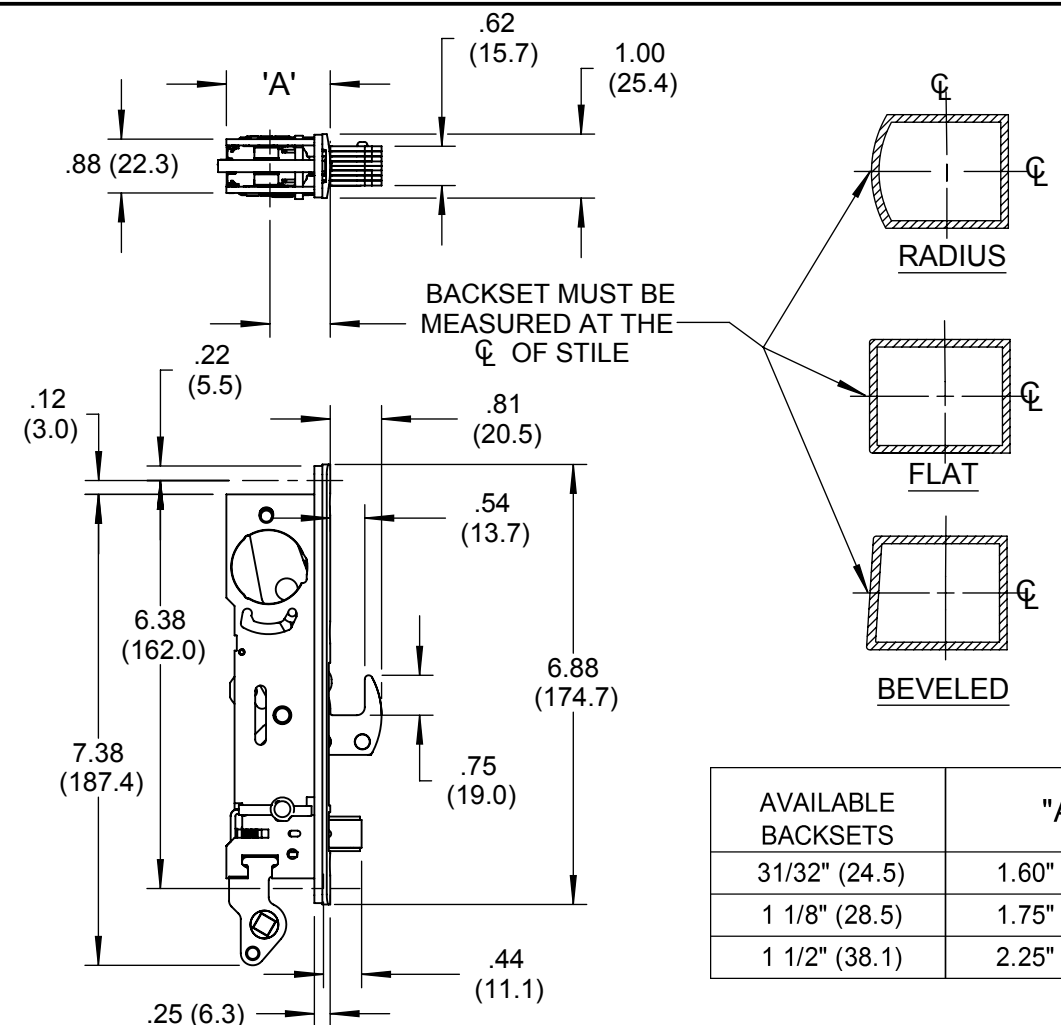
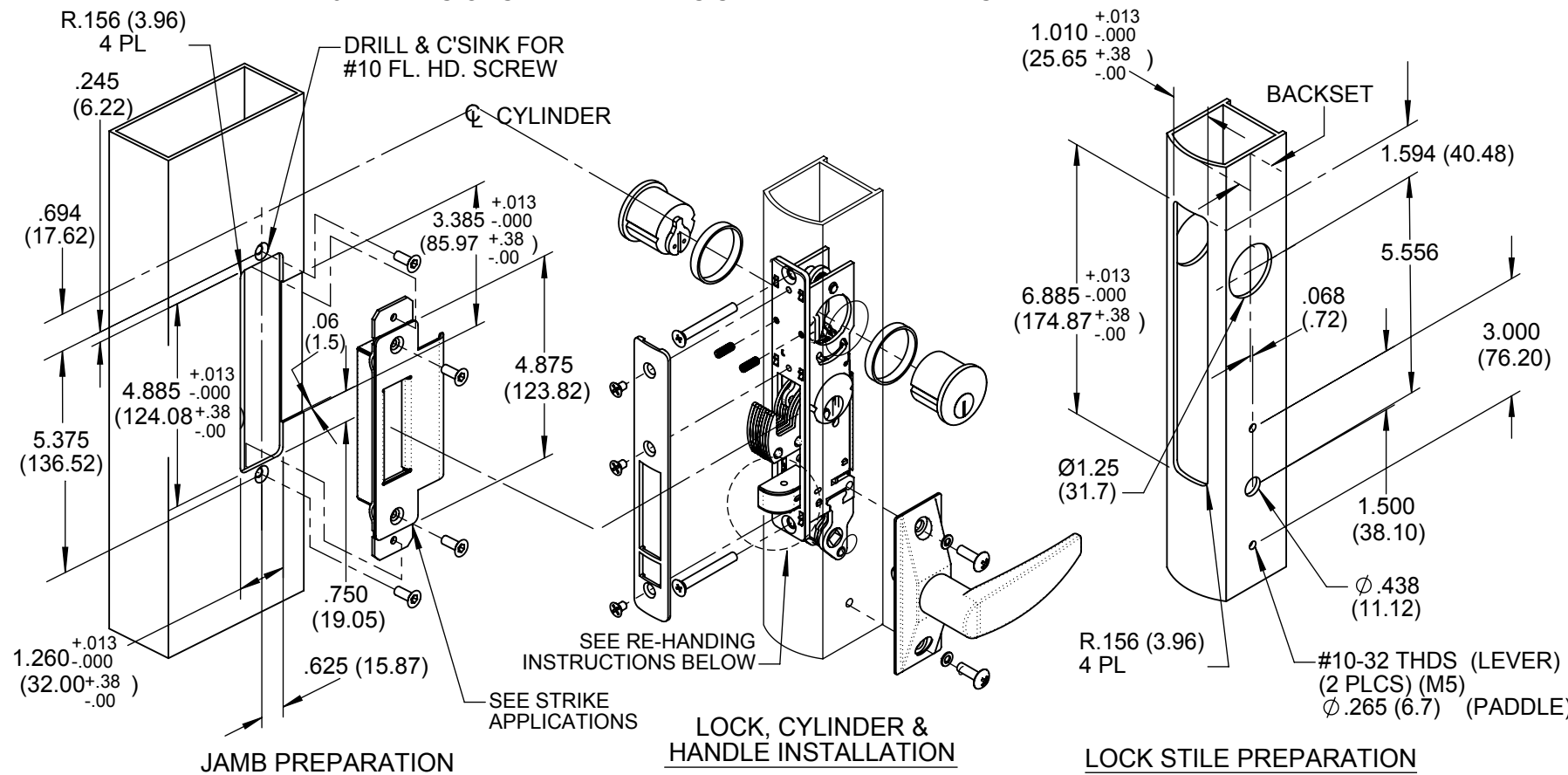


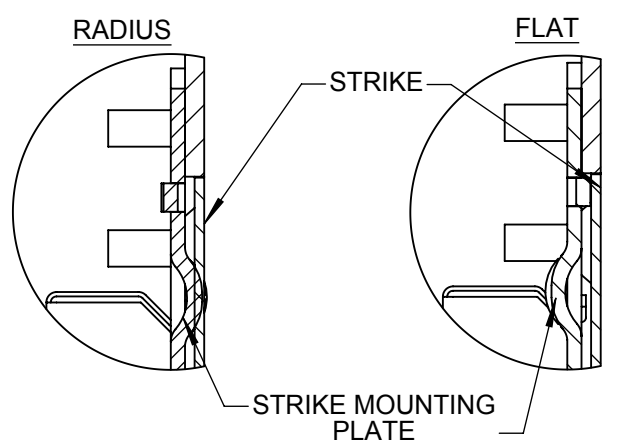
NOTES:
 1. FOR ADDITIONAL HANDLE INFORMATION SEE CATALOG PAGE #SW33.
 2. FOR CYLINDER GUARD SEE CATALOG PAGE #SW13.
 3. DIMENSIONS IN PARENTHESIS ARE IN MILLIMETERS.



BACKSET MUST BE MEASURED AT THE ϕ OF STILE

AVAILABLE BACKSETS	"A"
31/32" (24.5)	1.60" (40.6)
1 1/8" (28.5)	1.75" (44.4)
1 1/2" (38.1)	2.25" (57.1)

STRIKE APPLICATIONS

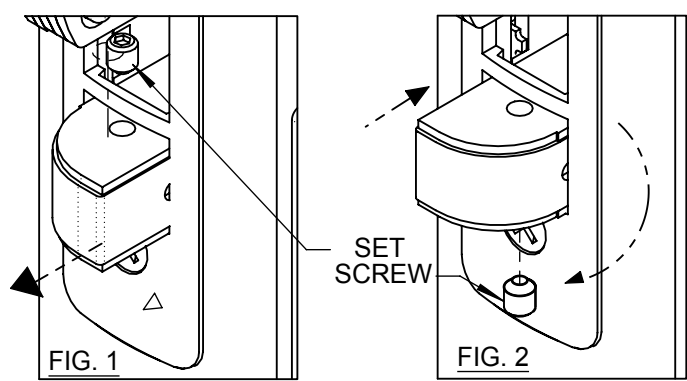


FLAT: STRIKE MOUNTING PLATE TO BE INSTALLED AS SHOWN WHEN USED ON FLAT JAMB SECTION.

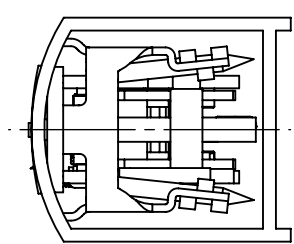
RADIUS: STRIKE MOUNTING PLATE IS TO BE INSTALLED AS SHOWN WHEN USED ON RADIUSED PAIR OF DOORS. (INACTIVE LEAF)

RE-HANDING INSTRUCTIONS

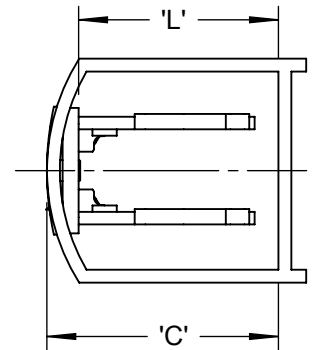
- USING ALLEN HEX KEY, LOOSEN THE SET SCREW AND REMOVE THE BOLT (FIG. 1)
- ROTATE 180°, INSTALL IT BACK AND RE-TIGHTEN THE SET SCREW (FIG. 2)



MOUNTING METHODS

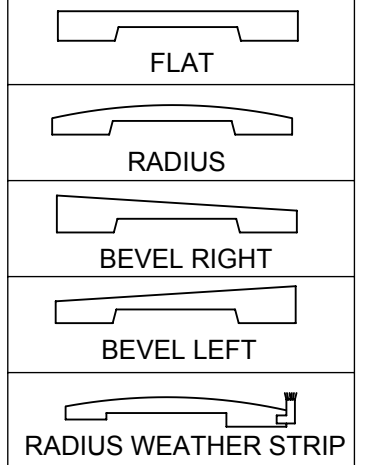


METHOD #1
 4104
 FOR MOUNTING INSTRUCTIONS SEE CATALOG PAGE #SW100



METHOD #2
 LOCK IS SECURED TO BACK WEB OF STILE BY MEANS OF #10 (M4) FLAT HEAD MACHINE SCREWS & TUBE SPACERS OF PROPER LENGTH TO POSITION LOCK. FOR TUBE SPACER LENGTH (L) USE THE FOLLOWING FORMULA:
 $L = C - .25$ (6.35)
 SCREWS FURNISHED WILL BE APPROX. 1/4" LONGER THAN THE SPACER.

AVAILABLE FACEPLATES



* MINIMUM SINGLE ACTION GAP 1/8" (3.1) WHEN USING WEATHER SEAL FACEPLATE