

US20
 Security Toothbrush Holder

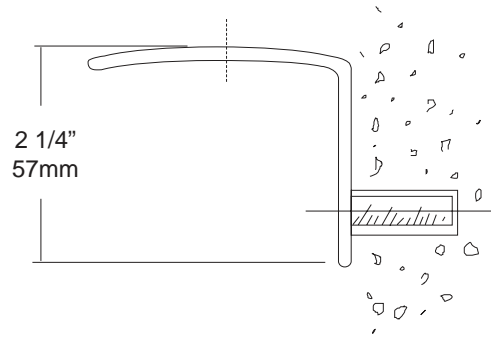
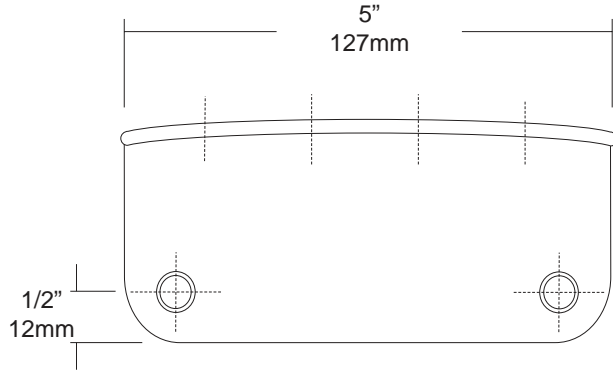
Revision 03/11

JOB #:

ITEM #:

QUANTITY:

MOUNTING	HANDING	TYPE	SIZE	OTHER



SPECIFICATIONS

Shell: Fabricated of #7 gauge stainless steel with a #4 satin finish, formed from a single piece of stainless steel. Unit is equipped with four (4) toothbrush holders. Welded anchor nuts will receive 1/4"-20 studs

Mounting: Two (2) exposed countersunk mounting points.

Overall Size: 5"W x 2 1/4"H x 2 13/16"D
 127mm x 57mm x 68mm

INSTALLATION

Transfer mounting point locations to wall surface and drill holes to except welded studs and rod. Determine the wall thickness to install threaded securing rod. Cut rod to desired length and secure to back side of wall with back plate. Nuts and washers are not supplied.

NOTES