

- Complies with American National Standard Z358.1
- Right- and Left-Hand Mount Options
- Chrome-Plated Brass Pipe and Fittings
- Universal Identification Sign and Inspection Tag Included
- Full, One-Year Warranty
- Classified by Underwriters Laboratory Inc. to ANSI Z358.1



## Specifications

Unit designed to rotate 360 degrees, save space and fit easily into any work environment. Eyewash operates quickly by a large, highly visible push handle. Safe, steady water flow under varying water supply conditions from 30–90 PSI is assured by integral flow control in the sprayhead assembly. NOTE: The ANSI Z358.1 standard requires an uninterrupted supply of flushing fluid at a minimum 30 PSI flowing pressure.

This plumbing fixture is not intended to dispense water for human consumption through drinking or for preparation of food or beverages.

## Construction

Pipe and fittings are chrome-plated brass. Includes right- or left-hand mount options.

## Standard Equipment

### Standard Sprayhead Assembly

Chrome-plated brass sprayhead assembly with twin soft-flow eyewash heads and protective sprayhead covers. Safe, steady water flow under varying water supply conditions from 30–90 PSI is assured by integral flow control in the sprayhead assembly.

### Valve

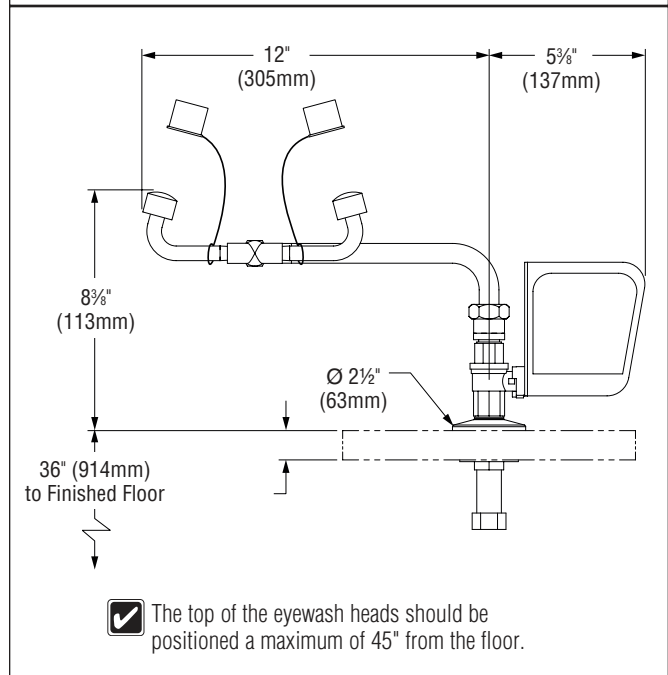
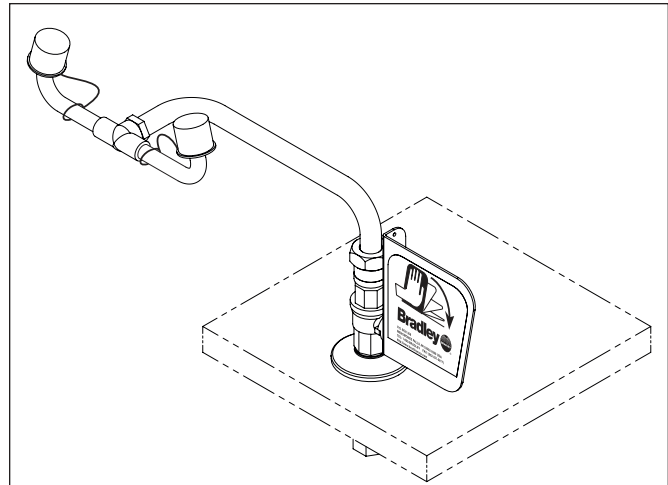
Chrome-plated brass 1/2" NPT stay-open ball valve. Hand operated by a large, highly visible stainless steel push handle.

### Pipe and Fittings

Chrome-plated brass.

### Water Supply

1/2" NPT.



**Recommended Option:**  
Navigator S19-2000 EFX8  
Emergency Thermostatic Mixing  
Valve

Satisfies ANSI Z358.1  
tepid water requirements.

Model	Description
<input type="checkbox"/> S19-270B	Laboratory Application "Swing" Eyewash – Right-Hand Mount
<input type="checkbox"/> S19-270BL	Laboratory Application "Swing" Eyewash – Left-Hand Mount
<input type="checkbox"/> S19-2000	Navigator EFX8 - Emergency Thermostatic Mixing Valve