



# SS-3N

## Express® Lavatory System – SS-Series

- ADA, ANSI and UFAS Compliant
- Serves One to Three Users at a Time
- Continuous Bowl is Constructed of Vandal Resistant Terreon® or Terreon®RE Solid Surface Material
- Available in a variety of colors
- Reliable Plug-in, Battery or NDITE® Infrared Activation, Push Button Air Valve, or TouchTime® Metering Control

### Specifications

Accommodates one to three users. These units handle washroom traffic quickly and economically, while providing each user with their own personal space. The lavatories for the Express® system are positioned on 30" centers. The preassembled sprayhead module is equipped with independent aerators each served by a separate infrared sensing module and solenoid valve (Model SS-3N/IR) or (Model SS-3N/NDT), a push button air metering valve (Model SS-3N/AST4), an independent battery IR sensor and batteries (Model SS-3N/BIR3) or a push button TouchTime electronic metering valve (Model SS-3N/TT). Standard flow rate of .5 GPM meets industry standards for water conservation, while providing enough water to rinse hands quickly and efficiently. Operating range is 20–80 PSI. Flow restrictor keeps flow rate constant at all pressures.

### Construction

#### Bowl/Sprayhead Cover

Constructed of Terreon, a densified solid surface material composed of polyester resin, or TerreonRE, a densified solid surface material composed of a bio-based resin and preconsumer recycled granules. Terreon and TerreonRE are resistant to chemicals, stains, burns and impact. Surface damage can be easily repaired with everyday cleansers or fine grit abrasives. Terreon and TerreonRE are certified by NAHB to meet ANSI Z124.3, Z124.6 and ANSI/ICPA SS-1. Terreon and TerreonRE are GREENGUARD® certified as low-emitting materials.

#### Access Panels & Sprayhead Body

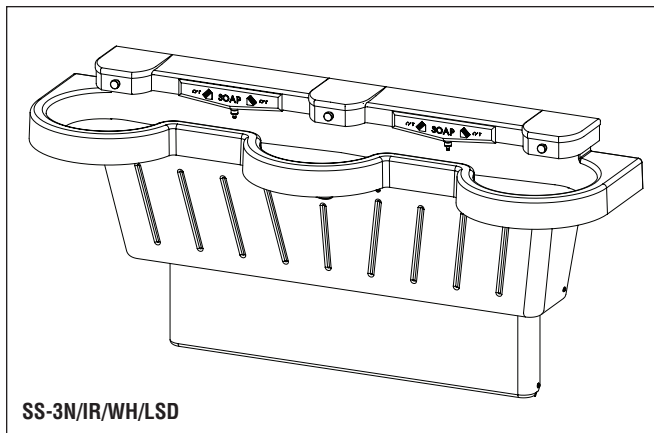
Access panels are composed of high impact polymer. Sprayhead bodies are injection molded poly-blend. Highly resistant to impact, abrasion and corrosion, the parts will not dent, chip, peel or flake.

#### Support Frame

Bowl assembly and panel are secured to a heavy gauge stainless steel support frame mounted to the wall. Standard frame (floor unit) includes scuff base.

#### Vandal Resistance

The molded sprayhead is an integral part of the bowl module. Its concealed vandal resistant streamformers discourage abuse. The infrared sensor will automatically shut off water flow after 30–45 seconds if a vandal attempts to trigger constant operation by covering the sensor or by placing a stationary object in the sensor's detection area. Push buttons are secured to the unit from inside the sprayhead. Air valves, water supplies, control boxes, and waste are concealed within the pedestal/support frame assembly.



SS-3N/IR/WH/LSD

### Code Compliance and Certifications

#### ANSI Standards

Terreon and TerreonRE are certified by NAHB to meet ANSI Z124.3, Z124.6 and ANSI/ICPA SS-1.

#### cUPC Approval

Express Lavatory Systems are Uniform Plumbing Code (UPC), International Plumbing Code (IPC) and National Plumbing Code of Canada (NPC) approved through the International Association of Plumbing and Mechanical Officials (IAPMO). Manufactured in compliance with IGC 156, CSA B45 Series (R08) & ASME A112.18.1/CSA B125.1.



This plumbing fixture is designed for hand washing only. It is not intended to dispense water for human consumption through drinking or for preparation of food or beverages.



Standard product selections contained within this document are third party **CERTIFIED** to NSF/ANSI 372 meeting the Lead-Free content requirement. Any product configured with custom options will be **COMPLIANT** with NSF/ANSI 372 meeting the Lead-Free content requirement.

#### Standard Frame

The standard frame on the Express SS-Series includes a scuff base and is designed to comply with all ADA guidelines on reaches, clearances and operation for adult users.

#### Wall-Hung Frame

The wall-hung frame on the Express® SS-Series (less scuff base above) is designed to mount at different heights (adult and children) to comply with guidelines on reaches, clearances and operation for various codes including, ADA Accessibility Guidelines for Buildings and Facilities (ADAAG) and TAS (Texas Accessibility Standards). Always check your local and state codes.



Verify all rough-in dimensions prior to installation.

Consult local and national codes. Conformity and compliance to local and national codes is the responsibility of the installer.

Page 1 of 6 2/12/2016

This information is subject to change without notice.

Bradley\_Sink\_Express\_SS-3N

© 2016 Bradley  
P.O. Box 309, Menomonee Falls, WI 53052-0309  
800 BRADLEY (800 272 3539) +1 262 251 6000  
bradleycorp.com



# SS-3N Express® Lavatory System – SS-Series

## Standard Equipment

### Bowls

Bowl with three lavatories, pedestal, stainless steel mounting frame (as described above), and the following fittings: P-trap; tailpiece; two flexible stainless steel supply connections; and Navigator® thermostatic mixing valve with stop valves and 110/24 VAC plug-in transformer (model SS-3N/IR and SS-3N/TT only). Batteries are included in Model SS-3N/BIR3.

## Activation Controls

### Infrared Sensor (Model SS-3N/IR)

Each of the aerators is controlled by a separate solenoid valve. Hands placed within the bowl are detected by an infrared sensor module, which activates a flow of tempered water from one station. Shut-off is automatic after hands are removed from the detection area.

The infrared sensor uses a conical-shaped transmitting beam, having a detection area adapted to, but not exceeding, the bowl perimeter. The detection area projects forward 15° to each side and 15° below horizontal. The adaptive infrared sensor automatically adapts to the bowl after power is turned on.

The infrared sensor is not affected by varying color tones or darkness. Direct sunlight or bright washroom lights will not activate the system. Infrared models also include solenoid valves and a low voltage transformer as standard equipment:

- Solenoid - 24V, 50/60 Hz, 3/8" NPT. Few moving parts, and resistant to most chemicals, minerals and impurities often present in municipal water supplies.
- Low Voltage Transformer - Class II UL/CSA listed, 110/24V AC plug-in transformer. Plugs into a standard GFCI protected electrical outlet.

### Air Valve Hand Control (Model SS-3N/AST4)

Each push button pneumatically actuates a non-hold-open, air metering, single temperature valve with field-adjustable timing from 0–45 seconds. Factory preset at 10 seconds. Each push button activates one valve which, in turn, activates one station.

### TouchTime Metering Control (Model SS-3N/TT)

Each low voltage push button actuates a non-hold-open, slow closing anti-hammer solenoid valve that is timed from an electronic potted assembly. Each push button activates one valve, which, in turn, activates one station. TouchTime controls water flow at each station through the use of solid-state, digital circuitry. Timing is electronically controlled at 15 seconds.

### Battery Infrared Sensor (Model SS-3N/BIR3)

Each battery-powered sensor uses a zone-focused infrared transmitting beam, creating a large detection area not exceeding the bowl perimeter. The sensor is not affected by varying skin tones or darkness. When hands enter the detection area, the sensor starts water flow by opening the valve electronically. When hands leave the detection area, the sensor stops the flow of water by closing the electronically activated solenoid valve. The 6-volt DC, electronically-activated solenoid valve has few moving parts, providing reliable operation that is unaffected by most chemicals and minerals often present in municipal water supplies. Each station is powered by a single lithium battery. Battery type is Duracell® DL 223A 6-volt lithium or equivalent (batteries included) with a life expectancy of 4–5 years or approximately 200,000 cycles.

### NDITE Infrared Control (Model SS-3N/NDT)

The photovoltaic cells are permanently embedded in the top of the sprayhead with a clear version of Terreon or TerreonRE.

The NDITE power management module is a proprietary unit that stores and provides power to the sensors and solenoid. This efficient module allows the system to work without batteries, eliminating the need to change or dispose of batteries.

Each NDITE-powered sensor uses a conical shaped transmitting beam, having a detection area adapted to, but not exceeding the bowl perimeter. The detection area projects forward 15° to each side and 15° below horizontal. The adaptive infrared sensor automatically adapts to the bowl after power is turned on. The electronically activated solenoid valve has few moving parts, providing reliable operation that is unaffected by most chemicals and minerals often present in municipal water supplies. Each lavatory system is powered by one NDITE power management module. Restrooms with 400 lux of lighting will provide a sufficient amount of light to power the system. For more information on NDITE technology, visit [bradleycorp.com](http://bradleycorp.com).

## Optional Equipment

### Terreon and TerreonRE Waste Receptacle

Terreon and TerreonRE Waste Receptacles, Model SS-WR, feature a solid surface cover and vacuum-formed acrylic laminate base. The waste receptacle with Terreon or TerreonRE covers comes equipped with support brackets and mounting hardware. Install this Waste Receptacle between Express Lavatory Systems or at the end of an alcove. For more information on Terreon and TerreonRE Waste Receptacles for the Express SS-Series, visit [www.bradleycorp.com](http://www.bradleycorp.com).

### Soap Dispensers

The Express SS-Series features an optional soap dispenser. Each hi-impact polymer tank is gravity-fed with a vertically mounted chrome plated brass valve. For refilling, the soap tank is easily removed from the sprayhead body by releasing a concealed, tamper-resistant leaf spring, which locks the tank in place. The soap valve will dispense vegetable/coconut oil liquid soaps, synthetic detergents, viscous lotion soaps and antiseptic solutions. Soap tank capacity is 3/4 gallon..

Verify all rough-in dimensions prior to installation.

Consult local and national codes. Conformity and compliance to local and national codes is the responsibility of the installer.

Page 2 of 6 2/12/2016

This information is subject to change without notice.

Bradley\_Sink\_Express\_SS-3N

Protected by one or more of the following U.S. patents: 5,369,818, 5,611,093, D398,969, D447,224, and D511,821 and the following Canadian patent: 2,121,886. Other patents pending.

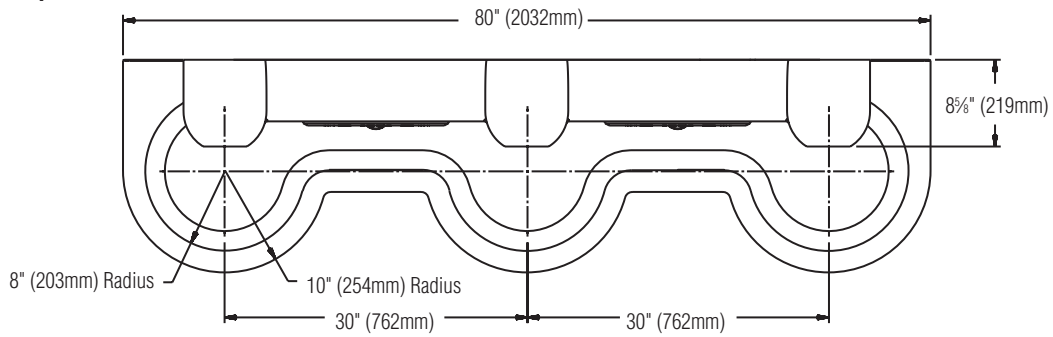
© 2016 Bradley  
P.O. Box 309, Menomonee Falls, WI 53052-0309  
800 BRADLEY (800 272 3539) +1 262 251 6000  
[bradleycorp.com](http://bradleycorp.com)



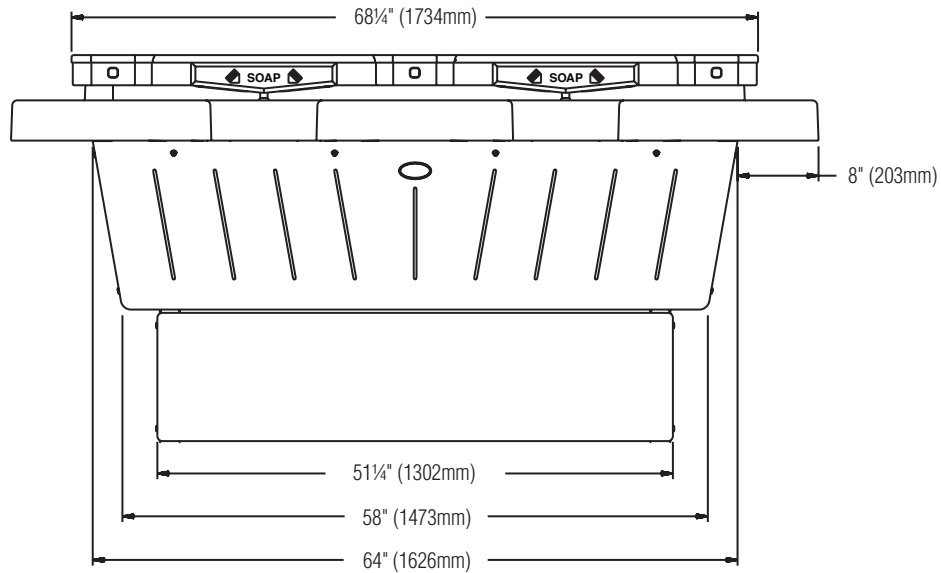
# SS-3N Express® Lavatory System – SS-Series

## Dimensions - Top and Front Views

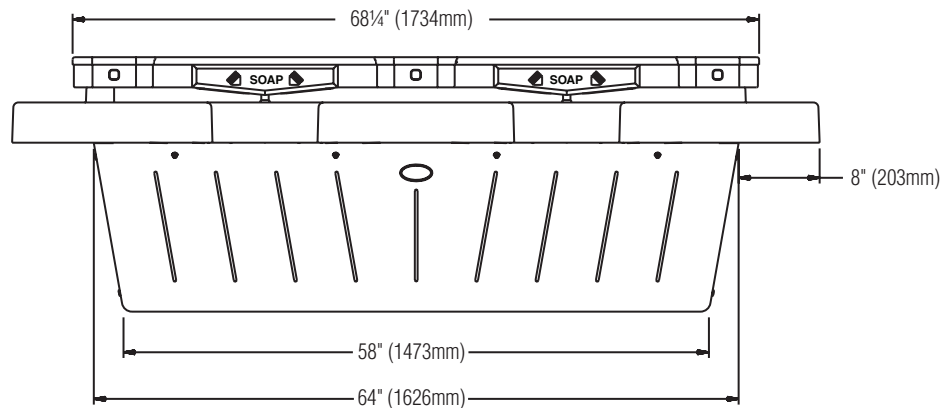
Top View



Front View  
Standard Frame



Front View  
Wall-Hung Frame



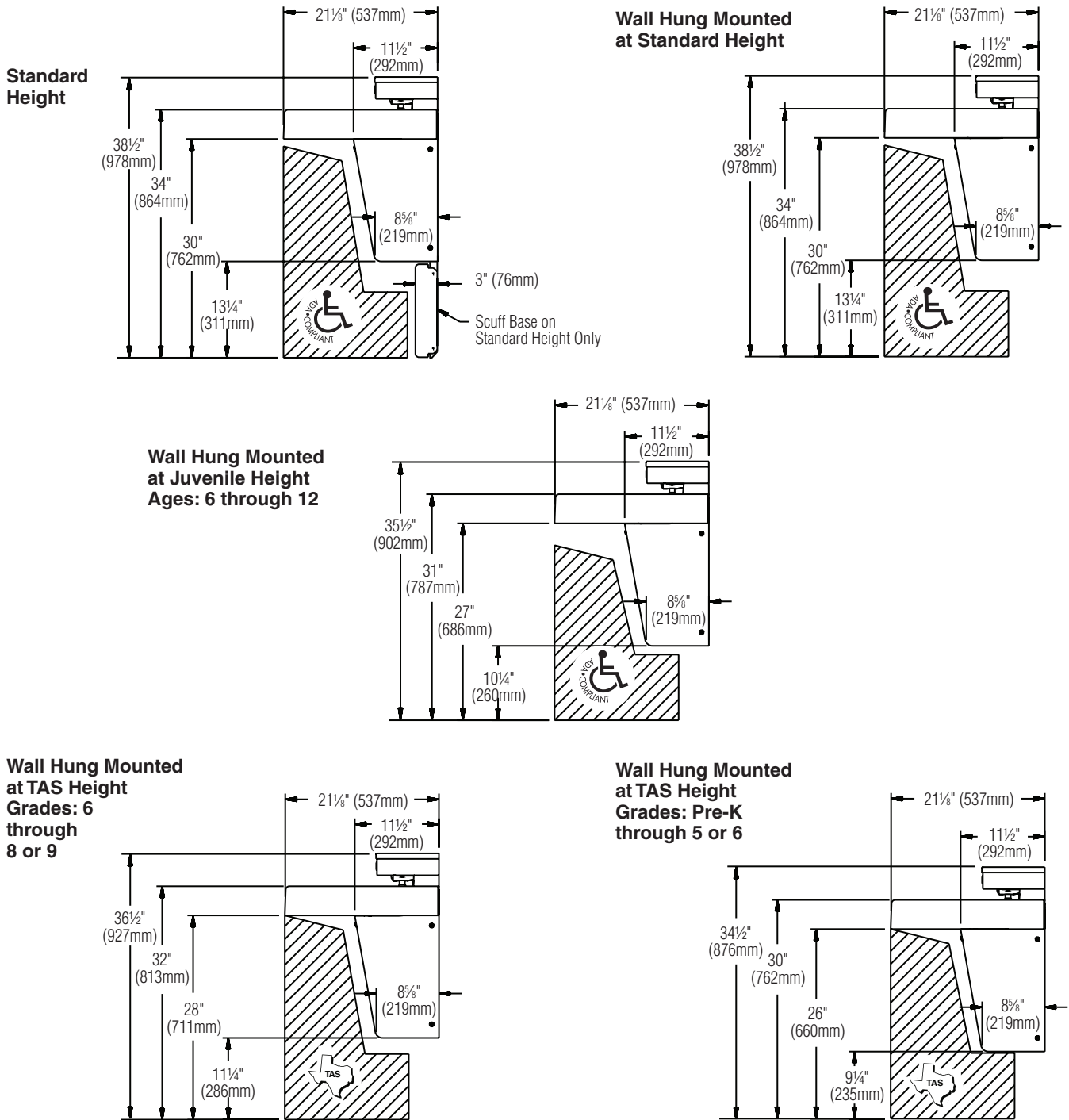
Verify all rough-in dimensions prior to installation.

Consult local and national codes. Conformity and compliance to local and national codes is the responsibility of the installer.



# SS-3N Express® Lavatory System – SS-Series

## Dimensions - Side Views



Verify all rough-in dimensions prior to installation.

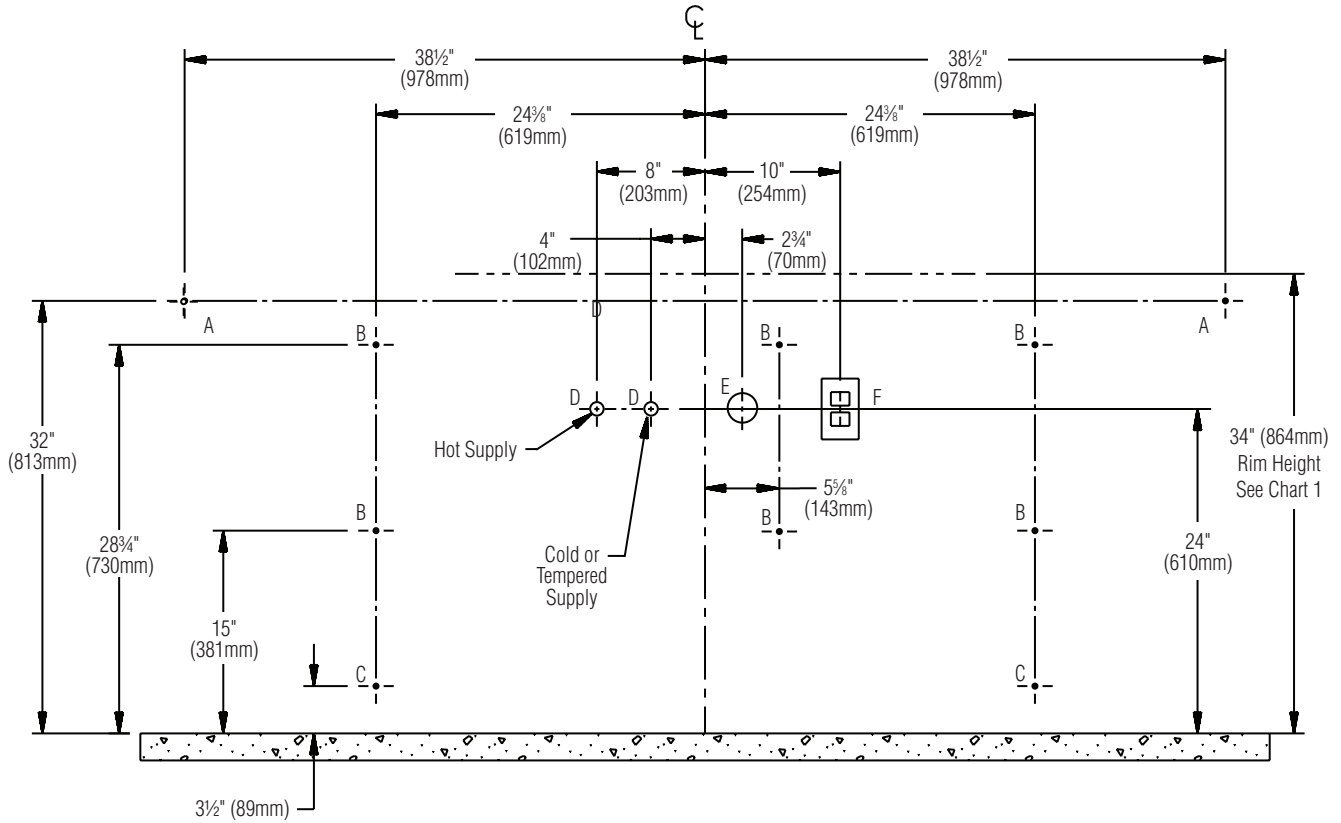
Consult local and national codes. Conformity and compliance to local and national codes is the responsibility of the installer.



# SS-3N Express® Lavatory System – SS-Series

## Rough-Ins

Mounting for Standard and Wall Hung Heights Are Shown



**Chart 1**

Rim Height	Vertical Height Adjustments Codes A, B, C, D, E, F, G and H	Fixture Style
34"	None	Standard Height
34"	None	Wall Hung
32"	Subtract 2"	TAS, Grades 6 through 8 or 9
31"	Subtract 3"	Juvenile Height
30"	Subtract 4"	TAS, Pre-K through Grades 5 or 6

**Chart 2**

Code	Description	Qty.
A	3/8" Bowl Wall Anchors with a minimum pull out force of 1,000 lbs.	2
B	3/8" Main Frame Wall Anchors with a minimum pull out force of 1,000 lbs.	6
C	3/8" Base Frame Wall Anchors with a minimum pull out force of 1,000 lbs. Standard frame option only	2
D	1/2" Nominal Copper Tubing for Hot/Cold Supplies, Stub-Out 2" from Wall	2
E	1 1/2" NPT Drain, Stub-Out 2" from Wall	1
F	110V GFCI Protected Electrical Outlet. I.R. and TouchTime Only	1

Verify all rough-in dimensions prior to installation.

Consult local and national codes. Conformity and compliance to local and national codes is the responsibility of the installer.



# SS-3N Express® Lavatory System – SS-Series

<b>Standard Selections</b> (Must select one from each category)			
<b>Sprayhead</b>			
<input type="checkbox"/> IR	Sprayhead w/Infrared Control		
<input type="checkbox"/> AST4	Sprayhead w/Air Valve Control		
<input type="checkbox"/> TT	Sprayhead w/TouchTime® Control		
<input type="checkbox"/> BIR3	Sprayhead w/Battery Infrared Control		
<input type="checkbox"/> NDT	Sprayhead w/NDITE Infrared Control *		
<b>Pedestal (select one)</b>			
<input type="checkbox"/> STD	Standard Frame (Includes Scuff Base)		
<input type="checkbox"/> WH	Wall-Hung Frame		
<b>Soap Dispenser (select one)</b>			
<input type="checkbox"/> LSD-3	Liquid Soap Dispenser (SS-3N)		
<input type="checkbox"/> NSD	No Soap Dispenser		
<b>Water Supply (select one)</b>			
<input type="checkbox"/> TMA	Navigator® Thermostatic Mixing Assembly (Hot and Cold Supplies)		
<input type="checkbox"/> TL	Single Tempered Line		
<b>Color of Terreon Bowl/Sprayhead Cover (select one)</b>			
<i>Standard Colors</i>			
<input type="checkbox"/> ALP-WHT**	Alpine White	<input type="checkbox"/> LONDON	London Gray
<input type="checkbox"/> AVALANCHE**†	Avalanche	<input type="checkbox"/> MOONSTONE**†	Moonstone
<input type="checkbox"/> BONE	Mesa Bone	<input type="checkbox"/> O-TAUPE	Organic Taupe
<input type="checkbox"/> CHAR	Charcoal Gray	<input type="checkbox"/> PEBBLE**	Pebble Beach
<input type="checkbox"/> COBBLE	Cobblestone	<input type="checkbox"/> PEP-WHT	Peppered White
<input type="checkbox"/> DRIFT**†	Driftwood	<input type="checkbox"/> POLAR**†	Polar Ice
<input type="checkbox"/> DS-WHT	Designer White	<input type="checkbox"/> SAND	Sandtrap
<input type="checkbox"/> DUNE**†	Sand Dune	<input type="checkbox"/> S-CREEK**	Stone Creek
<input type="checkbox"/> E-GRAY	Empire Gray	<input type="checkbox"/> S-MIST**	Silver Mist
<input type="checkbox"/> GLACIER**	Glacier	<input type="checkbox"/> WHT-SAND	White Sand
<input type="checkbox"/> GRAPH	Graphite		
<input type="checkbox"/> LANNON	Lannonstone		
<i>Designer Colors* (available at an additional charge)</i>			
<input type="checkbox"/> ARC-CHIP	Arctic Chip	<input type="checkbox"/> COFFEE	Coffee Bean
<input type="checkbox"/> RIVER	Riverstone		
<i>TerreonRE Colors* (available at an additional charge)</i>			
<input type="checkbox"/> BIRCH-BARK	Birch Bark	<input type="checkbox"/> MOONDUST	Moondust
<input type="checkbox"/> DUSK	Dusk	<input type="checkbox"/> OAT	Oat
<b>Color of Access Panel/Sprayhead Body (select one)</b>			
<input type="checkbox"/> COAL	Coal		
<b>Optional Selections</b>			
<b>P-Trap:</b>			
<input type="checkbox"/> S-CHROME	Single Chrome-Plated P-Trap		

\*Non-cancelable, non-returnable

\*\*Color not available when NDITE (NDT) option is selected.

† This color contains large, randomly distributed chips.

Verify all rough-in dimensions prior to installation.

Consult local and national codes. Conformity and compliance to local and national codes is the responsibility of the installer.