



# SN2005, SN2008 Sentry™ Circular Shallow Bowl Washfountain

- cUPC Certified
- Reliable Air Metering or Infrared Control
- Available in a 54" or 36" Bowl Size
- Standard and Juvenile Height 54" Model with Infrared, Touch Time or Hand Control Is ADA/TAS Compliant
- Factory Tested and Shipped Pre-assembled
- Vandal Resistant and Easy to Clean

## Specifications

### Size and Capacity

Accommodates 5 users (36" models) or 8 users (54" models) at a time, using less water, energy and space than lavs equipped with conventional faucets. The sectional sprayhead module is controlled by a push button, which actuates an air valve (hand or foot control models), or a solenoid valve (TouchTime® models) or by an infrared sensor-actuated solenoid valve. Flow restrictor keeps flow rate constant at 0.5 GPM per station for all pressures. Operating range is 20-80 PSI.

## Construction

### Bowl and Pedestal

All exposed materials are type 304 stainless steel polished to a #4 finish. Bowl, pedestal, access panels, frame, foot control housing; support tube and sprayhead are heavy gauge stainless steel. Exposed fittings are chrome plated.

### Vandal Resistance

Bowl and support tube are an integrally welded assembly, with the support tube welded to extruded flange from bowl. Spray nozzles and push buttons/infrared sensors are secured to unit from inside the sprayhead module. Air valves/solenoid valves are safely concealed inside the washfountain. Access panels are removable. All supply and waste connections are concealed within the pedestal, which is secured to the floor with anchor bolts (supplied by others).

## Standard Equipment

### Valves and Fittings

In addition to the bowl and pedestal, the following valves and fittings are standard: Navigator® thermostatic mixing valve, flexible stainless steel supply hoses and stop valves. Stop valves are 1/2" compression female.

## Activation Controls

### Air Valve Hand Control

Each push button pneumatically actuates a non-hold-open, air metering, single-temperature valve with field adjustable timing from 0-45 seconds. Factory preset at 10 seconds. Each push button activates one valve which, in turn, activates one station. Push button requires less than five pounds of pressure.

### Air Valve Foot Control

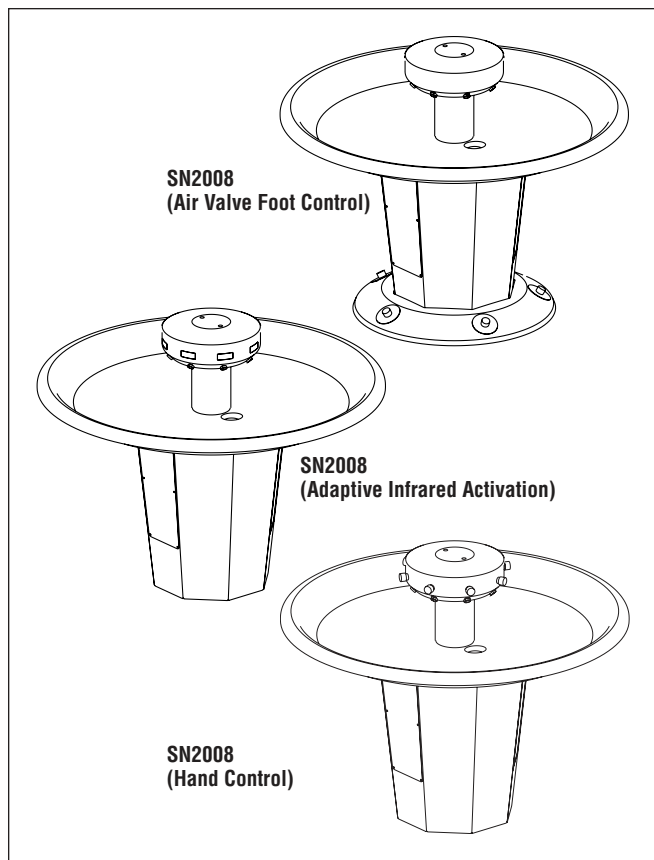
Each push button pneumatically actuates a hold-open air single temperature valve with slow closing upon release of foot pressure. Push button requires less than five pounds of pressure.

### Infrared Control

Each of the stream formers is controlled by a separate solenoid valve. Hands placed within the bowl are detected by an infrared sensor module, which activates a flow of tempered water from one spray nozzle. Shut-off is automatic after hands are removed from the detection area.

The infrared sensor module uses two zone-focused infrared transmitting beams, having a detection area that does not exceed the bowl perimeter. The detection range projects 6-9 inches forward at a 30° angle to each side and reaches 15° below horizontal. The infrared sensor is not affected by varying color tones or darkness. Direct sunlight or bright washroom lights will not activate the system. Infrared models also include solenoid valves and a low voltage transform as standard equipment:

- Solenoid – 24V, 50/60 Hz, 5/16" tube fitting. Few moving parts, and resistant to most chemicals, minerals, and impurities often present in municipal water supplies.
- Low-Voltage Transformer – Class II UL/CSA listed, 110/24 VAC hard wire transformer designed to mount on a conduit box. Location of transformer per local electrical code.



### TouchTime® Hand Control

Each low-voltage button actuates a non-hold-open, slow closing anti-hammer solenoid valve that is timed from an electronic potted assembly. Each push button activates one valve which, in turn, activates one station. TouchTime® controls water flow at each station through the use of solid state, digital circuitry. Timing is electronically controlled at 15 seconds. Push button requires less than 5 pounds of pressure.

## Code Compliance and Certifications

### cUPC Certified

Sentry™ Washfountains are Uniform Plumbing Code (cUPC) certified through the International Association of Plumbing and Mechanical Officials (IAPMO).

### Barrier-Free (ADA Compliant)

### 54" Models Only

The standard or juvenile height 54" Sentry Washfountain with Infrared, TouchTime or Hand control is designed to comply with all ADA/TAS guidelines on reaches, clearances and operation.

Standard product selections contained within this document are third party **CERTIFIED** to NSF/ANSI 372 meeting the Lead-Free content requirement. Any product configured with custom options will be **COMPLIANT** with NSF/ANSI 372 meeting the Lead-Free content requirement.



Certified to  
NSF/ANSI 372





# SN2005, SN2008

## Sentry™ Circular Shallow Bowl Washfountain

<b>Models</b> (Must select one)			
<b>Model</b>	<b>Size</b>	<b>Stations</b>	<b>Description</b>
<input type="checkbox"/> <b>SN2005</b>	36"	5	Floor-Mounted
<input type="checkbox"/> <b>SN2008*</b>	54"	8	Floor-Mounted
<b>Standard Selections</b> (Must select one from each category)			
<b>Drain Type (select one)</b>			
<input type="checkbox"/> <b>A</b>	Off-line vent with supplies from below	<input type="checkbox"/> <b>H</b>	Centrally rising vent with supplies from below
<input type="checkbox"/> <b>B</b>	Centrally rising vent with supplies from above	<input type="checkbox"/> <b>O</b>	Off-line vent with supplies from above
<b>Controls (select one)</b>			
<input type="checkbox"/> <b>AST4</b>	Hand Control Metering Air Valve	<input type="checkbox"/> <b>AST4-F</b>	Foot Control Hold-Open Air Valve **
<input type="checkbox"/> <b>IR</b>	Infrared Activation	<input type="checkbox"/> <b>TT</b>	TouchTime †
<b>Pedestal Height (select one)</b>			
<input type="checkbox"/> <b>STD</b>	Standard Pedestal Height	<input type="checkbox"/> <b>JUV</b>	Juvenile Pedestal Height
<b>Supply Fittings (select one)</b>			
<input type="checkbox"/> <b>TMA</b>	Thermostatic Mixing Valve	<input type="checkbox"/> <b>TL</b>	Tempered Line Supply
<input type="checkbox"/> <b>PBV</b>	Pressure Balance Mixing Valve		
<b>Soap Dispenser (select one)</b>			
<input type="checkbox"/> <b>LSD</b>	Liquid Soap Dispenser	<input type="checkbox"/> <b>NSD</b>	No Soap Dispenser
<b>Optional Selections</b>			
<b>Paper Towel Dispensers</b>			
<input type="checkbox"/> <b>CTD (3)</b>	C-Fold, Multi-Fold Dispenser	<input type="checkbox"/> <b>SFTD (3)</b>	Single-Fold Dispenser
<b>Stainless Steel Shroud</b>			
<input type="checkbox"/> <b>SH</b>	Stainless Steel Shroud (Conceals overhead plumbing)		

\* These models in standard or juvenile height with IR, TT or AST4 controls are ADA/TAS compliant.

\*\* Non-cancelable, not-returnable.

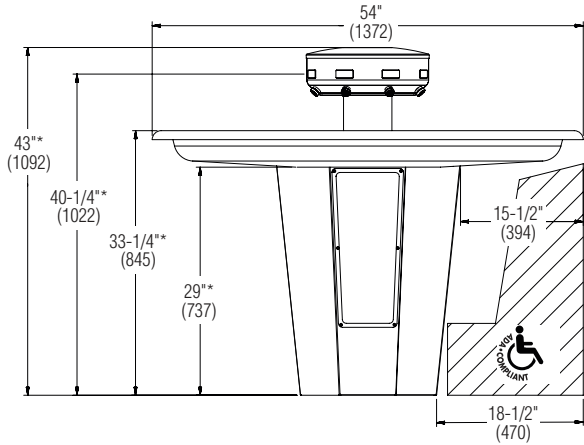
† Available with the NSD (No Soap Dispenser) option only



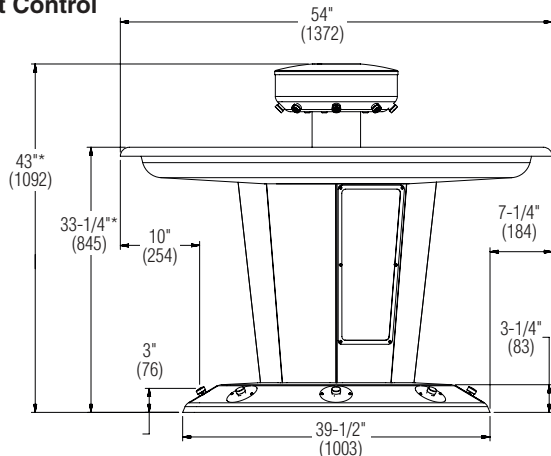
# SN2005, SN2008 Sentry™ Circular Shallow Bowl Washfountain

## Dimensions - Sentry™ 54" Circular Washfountain

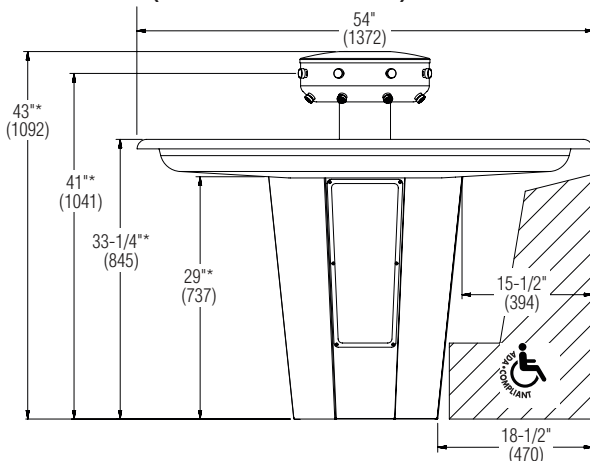
### Infrared Control



### Foot Control



### Hand Control (AST4 and TouchTime)



Standard or Juvenile height 54" models with Infrared, TouchTime or Hand control are ADA/TAS compliant.

Page 3 of 5

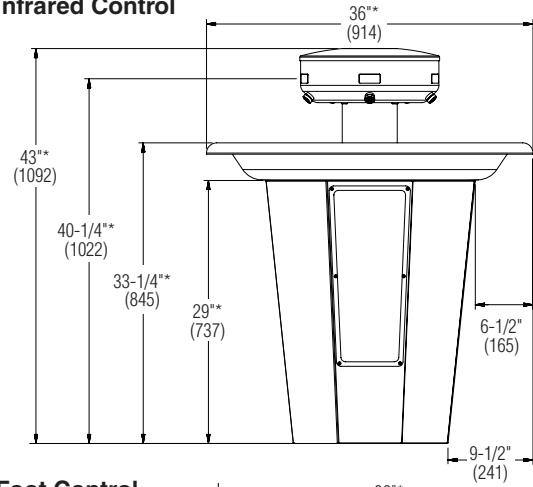
10/27/2014

This information is subject to change without notice.

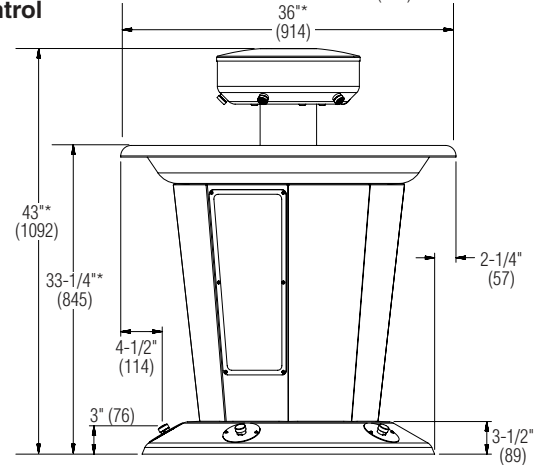
Bradley\_Washftn\_Sentry\_SN2005\_08

## Dimensions - Sentry™ 36" Circular Washfountain (mm)

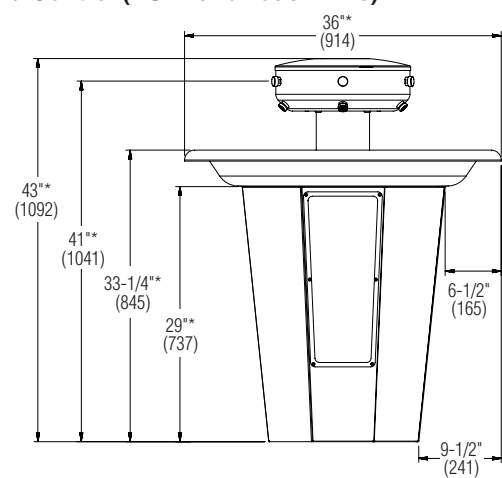
### Infrared Control



### Foot Control



### Hand Control (AST4 and TouchTime)



\* Subtract 4" (102) from this dimension for juvenile height.

© 2015 Bradley

P.O. Box 309, Menomonee Falls, WI 53052-0309

800 BRADLEY (800 272 3539) +1 262 251 6000

bradleycorp.com



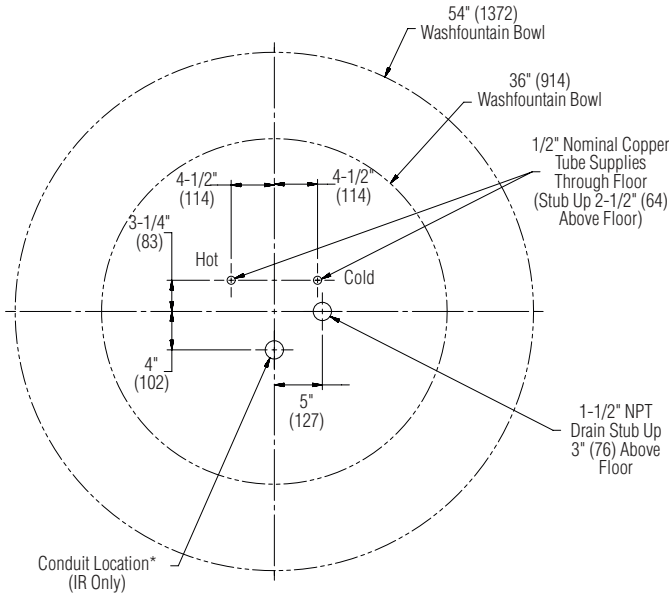
# SN2005, SN2008 Sentry™ Circular Shallow Bowl Washfountain

(mm)

## Rough-In Dimensions for Drain and Supplies

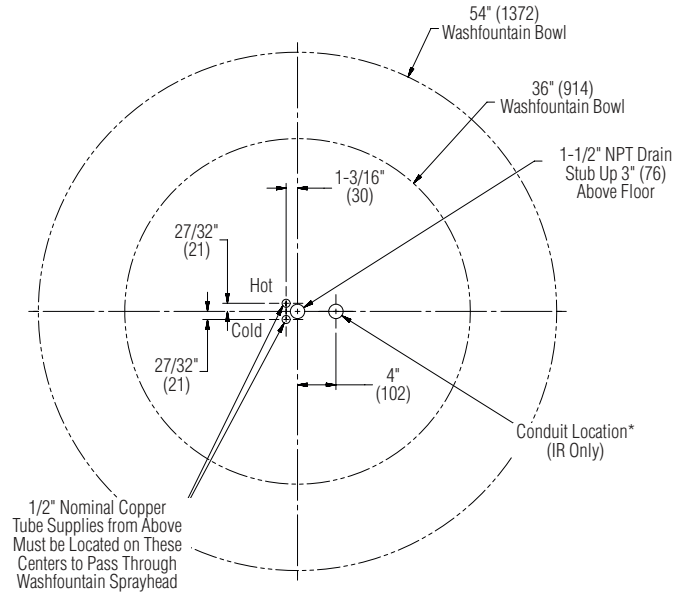
### Type A

– Off-line vent with supplies from below



### Type B

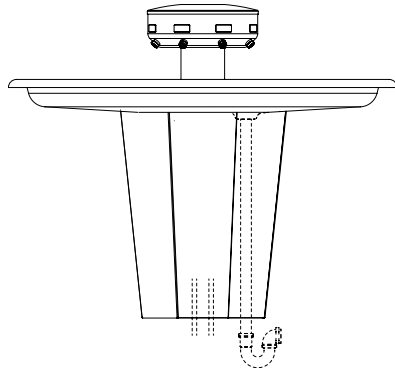
– Centrally rising vent with supplies from above



\* Remote mounting of transformers with 24 VAC electrical supply to washfountain is recommended. See local electrical codes before roughing in. (This conduit location is only a recommendation.)

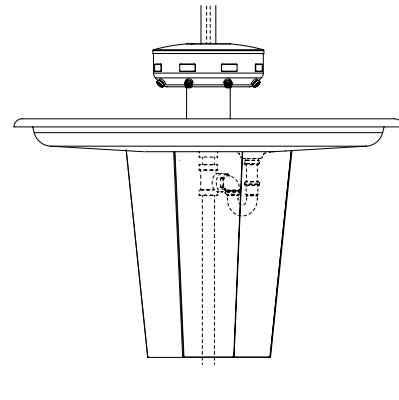
### Type A Drain

– Supplies below  
– Off-drain vent  
– P-Trap furnished by others



### Type B Drain

– Supplies above  
– Centrally-rising vent  
– P-Trap furnished



### Rough-In Notes

1. Rough-in dimensions for this model accommodate standard height and juvenile height pedestals.
2. Maximum flow rate required to washfountain is 2.5 GPM for Model SN2005 and 4.0 GPM for Model SN2008. Size supply lines accordingly.
3. Unit with "A" drain and paper towel dispensers and/or a shroud, should use "H" drain Rough-Ins.



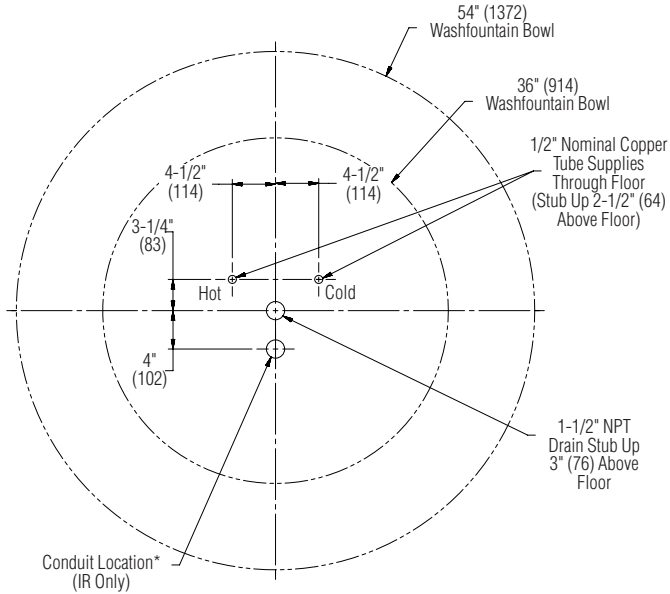
# SN2005, SN2008 Sentry™ Circular Shallow Bowl Washfountain

(mm)

## Rough-In Dimensions for Drain and Supplies

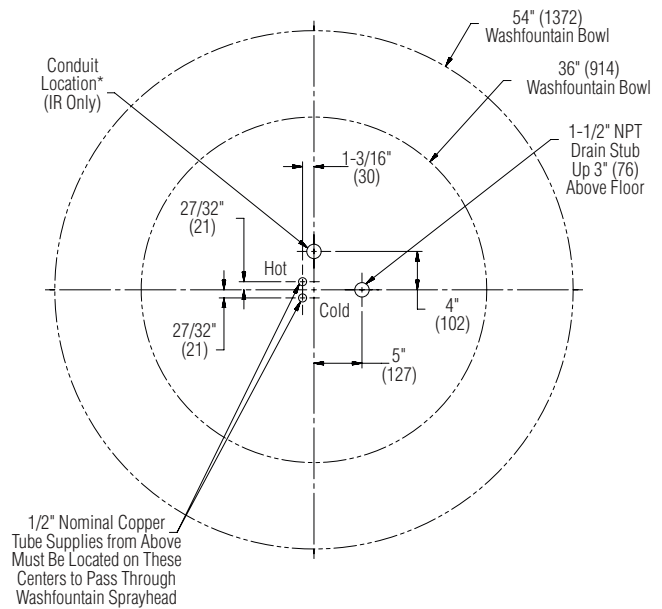
### Type H Drain

– Centrally rising vent with supplies from below



### Type O Drain

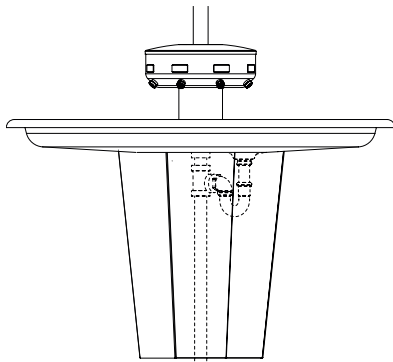
– Off-line vent with supplies from above



\* Remote mounting of transformers with 24 VAC electrical supply to washfountain is recommended. See local electrical codes before roughing in. (This conduit location is only a recommendation.)

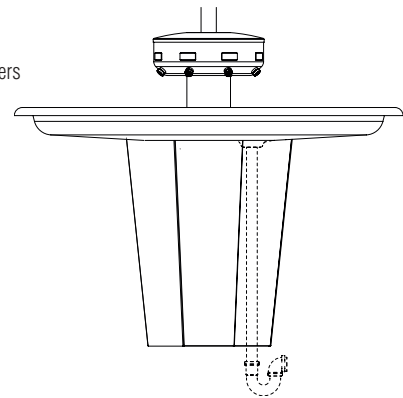
### Type H Drain

– Supplies below  
– Centrally-rising vent  
– P-Trap furnished



### Type O Drain

– Supplies above  
– Off-drain vent  
– P-Trap furnished by others



### Rough-In Notes

1. Rough-In dimensions for this model accommodate standard height and juvenile height pedestals.
2. Maximum flow rate required to washfountain is 2.5 GPM for Model SN2005 or 4.0 GPM for Model SN2008. Size supply lines accordingly.
3. Unit with "O" drain and paper towel dispensers and/or a shroud, should use "B" drain Rough-Ins.