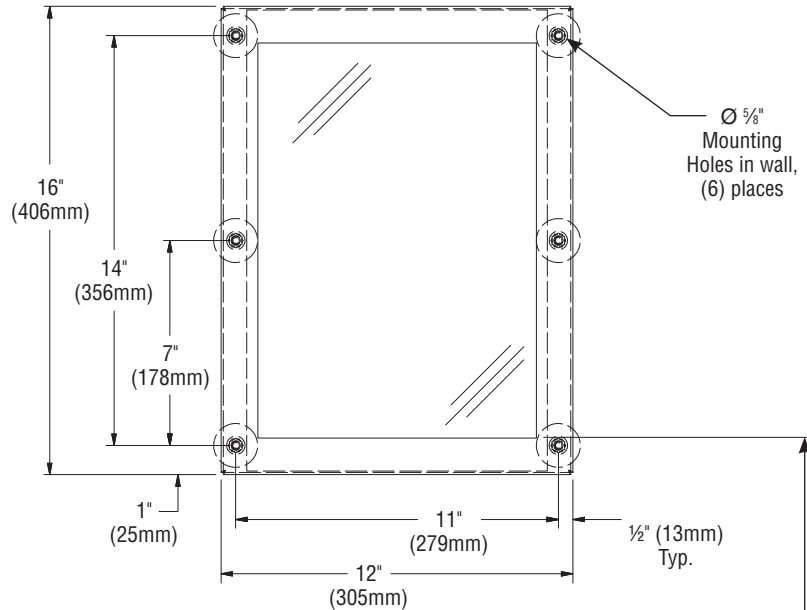
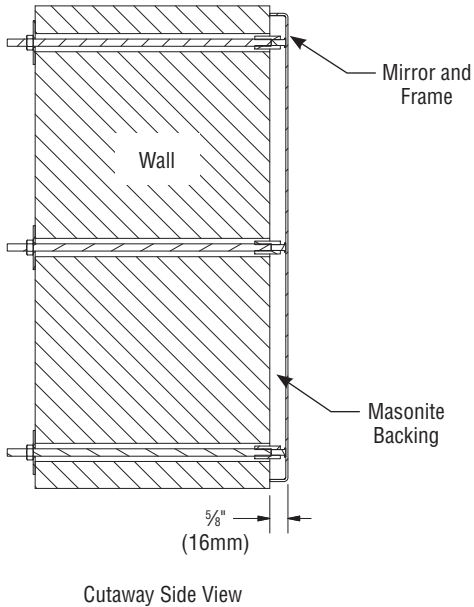


SA01 Security Framed Wall Mirror



Installation

Before beginning installation, the mirror must be flipped to reveal reflective surface and the protective vinyl covering must be removed.



IMPORTANT: For compliance with ADA accessibility guidelines, the bottom edge of the reflecting surface should be installed 40" (1016mm) maximum above finished floor.

From the chase side of the wall, secure the threaded rods to the mirror frame with the nuts and washers provided.

