

VB Series



Valve Box

Valve boxes are engineered to provide access to all types of valves and controls which are concealed in the wall. Elmdor Valve Boxes are fully enclosed and features rounded safety corners.

Door and Frame shall be 16 gage galvanized steel with a prime coat finish.

Frame is a one piece construction 1" wide and produces perfect concealment of the rough wall openings. Wall frame is provided with 1/4" mounting holes for fastening within the furred spaces allowing faster installation and giving maximum clearance.

Hinge is a concealed continuous piano hinge.

Latch is screwdriver operated.

Finish is a prime coat suitable for painting.

Guide Specification

Provide Elmdor VB series, Valve Box (specify model number and options). Access door and frame shall be fabricated from 16 gage, galvanized steel with a prime coat finish. The door shall have rounded safety corners and a concealed continuous piano hinge. Frame shall be one piece construction with no mitres or welds on the face. Latch shall be screwdriver operated. Elmdor Valve Box shall be fully enclosed with 16 gage, galvanized steel with a prime coat finish. Finish shall be a prime coat suitable for painting.



MODEL NUMBER AND OPTIONS SELECTION

BASE MODEL NUMBER
 VB Valve Box

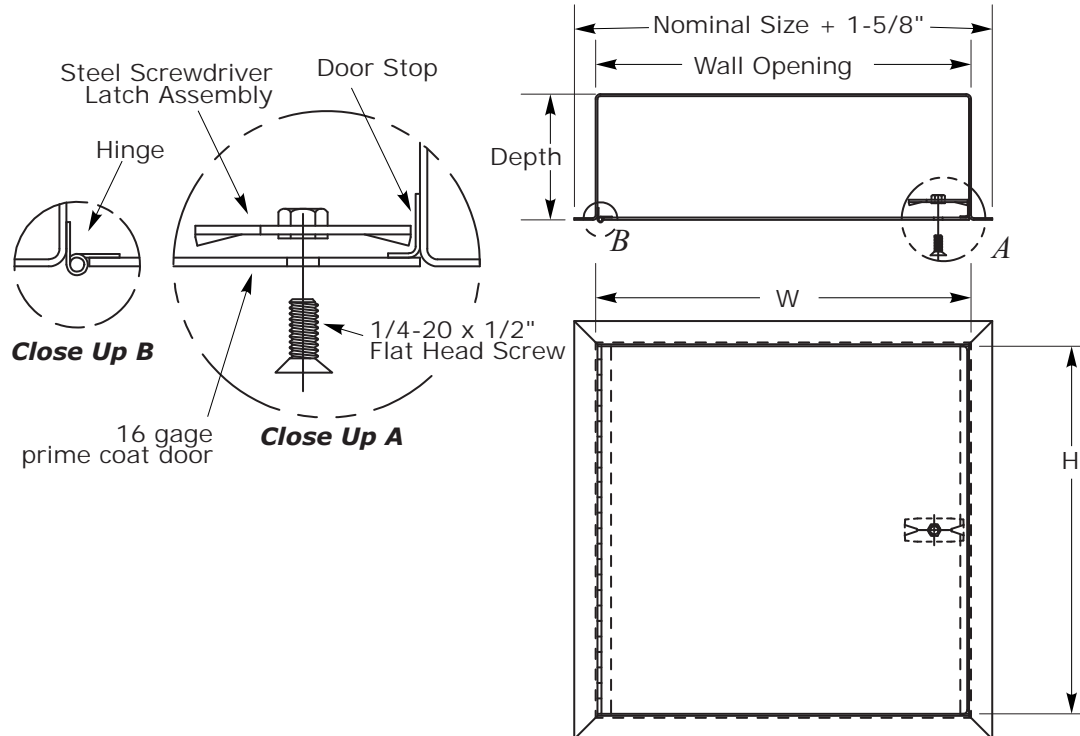
Suffix Options

- AKL Allen Key Latch
- CL Cylinder Lock
- SS Stainless Steel Construction.
(Type 304 No 4 Finish Satin Finish)
- TH T Handle

STANDARD AVAILABLE SIZES

Special sizes available upon request.

| NOMINAL DOOR SIZE (W x H x Depth) | WALL OPENING | LATCH | WEIGHT |
|-----------------------------------|-------------------|-------|-----------|
| VB 8" x 8" x 4" | 8-1/2" x 8-1/2" | 1 | 10.0 lbs. |
| VB 8" x 8" x 6" | 8-1/2" x 8-1/2" | 1 | 12.0 lbs. |
| VB 12" x 12" x 4" | 12-1/2" x 12-1/2" | 1 | 18.0 lbs. |
| VB 12" x 12" x 6" | 12-1/2" x 12-1/2" | 1 | 20.0 lbs. |
| VB 14" x 14" x 4" | 14-1/2" x 14-1/2" | 1 | 26.0 lbs. |
| VB 14" x 14" x 6" | 14-1/2" x 14-1/2" | 1 | 28.0 lbs. |
| VB 16" x 16" x 4" | 16-1/2" x 16-1/2" | 1 | 32.0 lbs. |
| VB 16" x 16" x 6" | 16-1/2" x 16-1/2" | 1 | 34.0 lbs. |



Dimensions are subject to manufacturer's tolerance of plus or minus 1/4". Elmdor/Stoneman assumes no responsibility for use of void or suspended data. Please visit www.elmdorstoneman.com for most current specifications. © Copyright 2009 Elmdor/Stoneman, City of Industry, CA, A Division of Acorn Engineering Company.

| SELECTION SUMMARY & APPROVAL FOR MANUFACTURING | |
|--|----------------|
| Model Number & Options _____ | Quantity _____ |
| Company _____ | Date _____ |
| Contact _____ | Title _____ |
| Approval for Manufacturing/Signature _____ | |

VB

Revised: 3/24/09