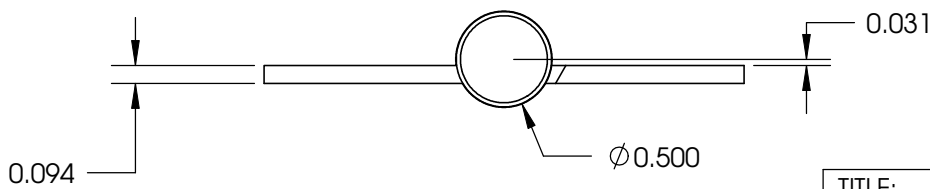
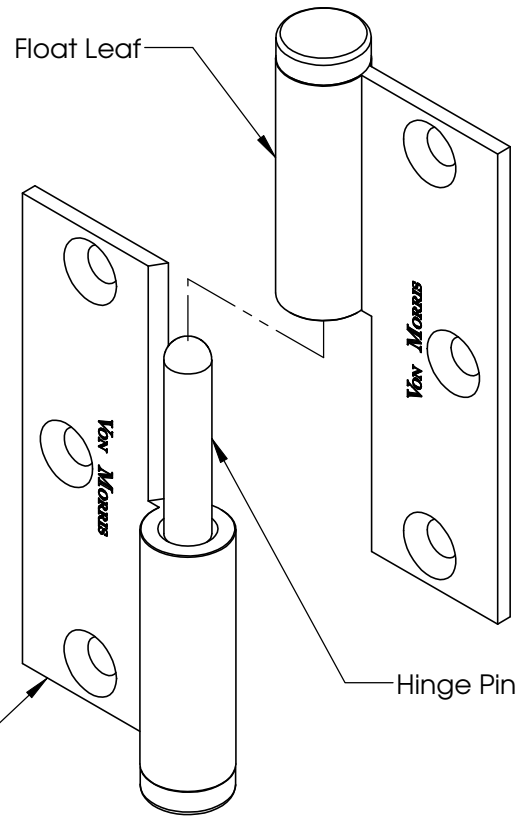


Countersunk for # 10 screws
(6 Places)



Note 1: Left Hand hinge shown, right hand opposite.
Note 2: Hinge uses non-standard template hole pattern.

TITLE:
13-3025L/2 Two Knuckle Lift-Off Hinge

UNLESS OTHERWISE SPECIFIED:
DIMENSIONS ARE IN INCHES
TOLERANCES:
FRACTIONAL ±
ANGULAR: MACH ± BEND ±
TWO PLACE DECIMAL ±
THREE PLACE DECIMAL ±

	NAME	DATE
DRAWN		
CHECKED		
ENG APPR.		
MFG APPR.		
FINISH	Q.A.	

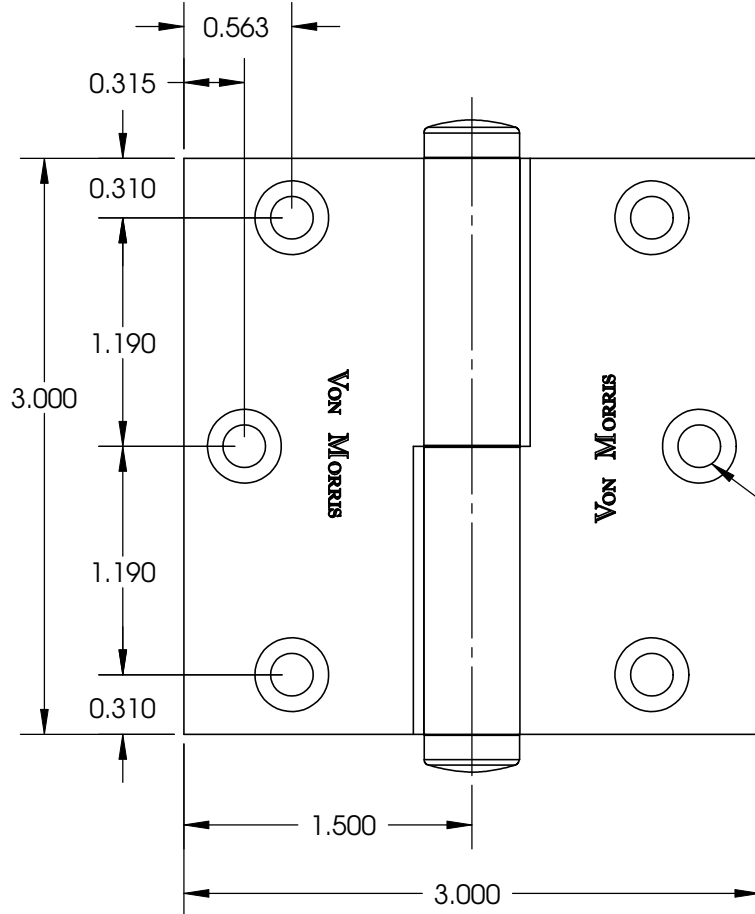


PHONE: 1-800-646-6888
FAX: 1-800-646-8988
email: info@vonmorris.com
http://www.vonmorris.com

DO NOT SCALE DRAWING

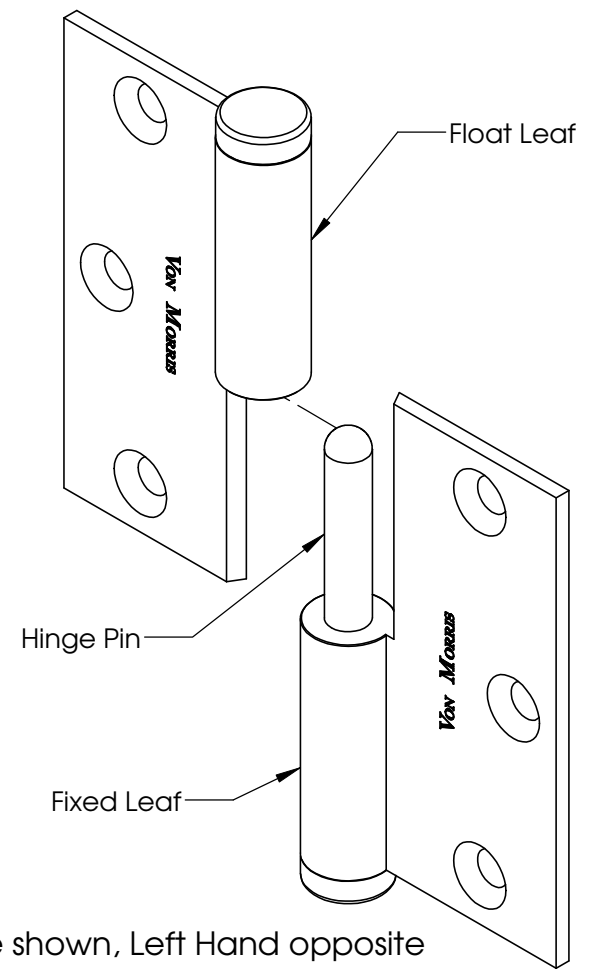
SIZE A	DWG. NO.	REV
SCALE: 1:1		SHEET 1 OF 1

PROPRIETARY AND CONFIDENTIAL
THE INFORMATION CONTAINED IN THIS DRAWING IS THE SOLE PROPERTY OF **VON MORRIS CORPORATION**. ANY REPRODUCTION IN PART OR AS A WHOLE WITHOUT THE WRITTEN PERMISSION OF **VON MORRIS CORPORATION** IS PROHIBITED.



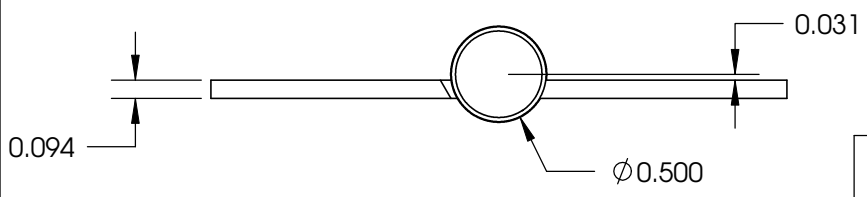
Standard finial supplied with hinge. Other finials available at additional cost.

Countersunk for # 10 screws (6 Places)



Note 1: Right Hand hinge shown, Left Hand opposite

Note 2: Hinge uses a non-standard template hole pattern.



TITLE:
13-3030R/2 Two Knuckle Lift-Off Hinge

UNLESS OTHERWISE SPECIFIED:
DIMENSIONS ARE IN INCHES
TOLERANCES:
FRACTIONAL ±
ANGULAR: MACH ± BEND ±
TWO PLACE DECIMAL ±
THREE PLACE DECIMAL ±

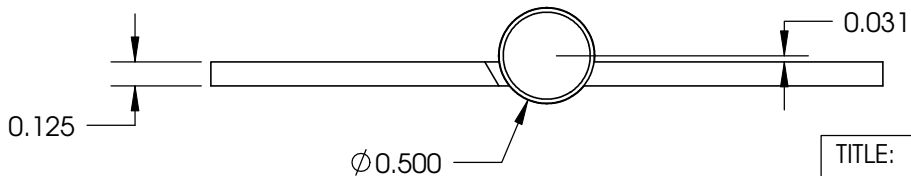
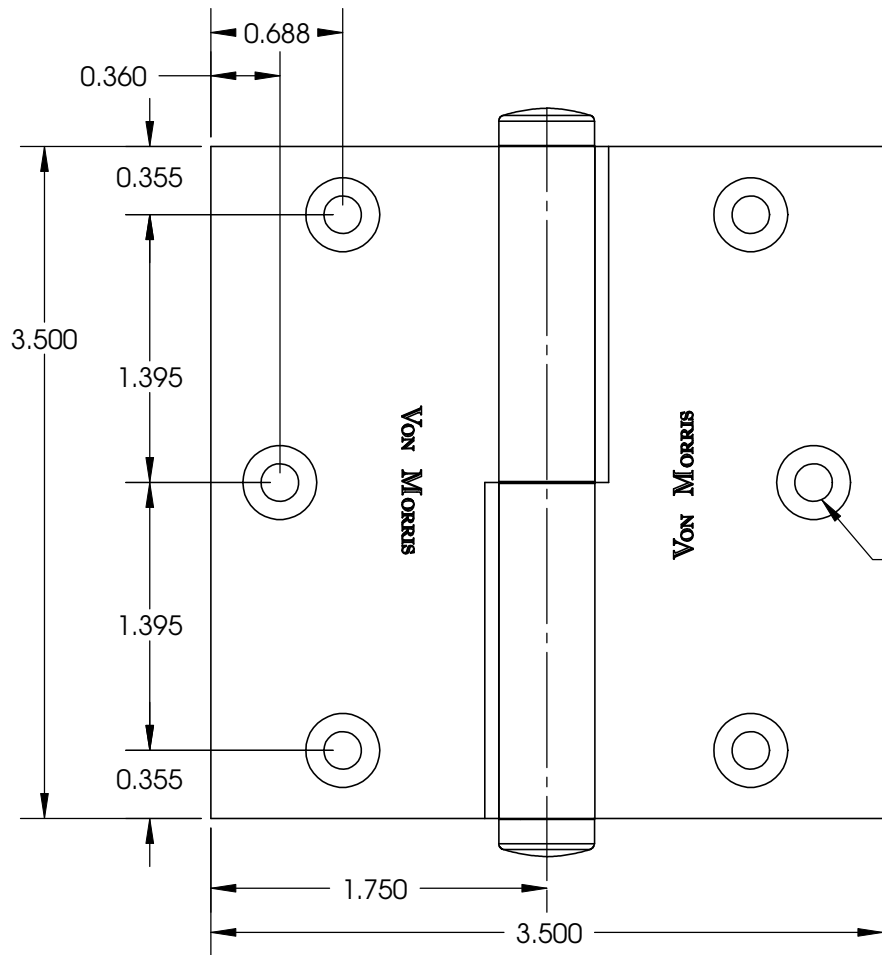
	NAME	DATE
DRAWN		
CHECKED		
ENG APPR.		
MFG APPR.		
FINISH	Q.A.	

VON MORRIS
PHONE: 1-800-646-6888
FAX: 1-800-646-8988
email: info@vonmorris.com
http://www.vonmorris.com

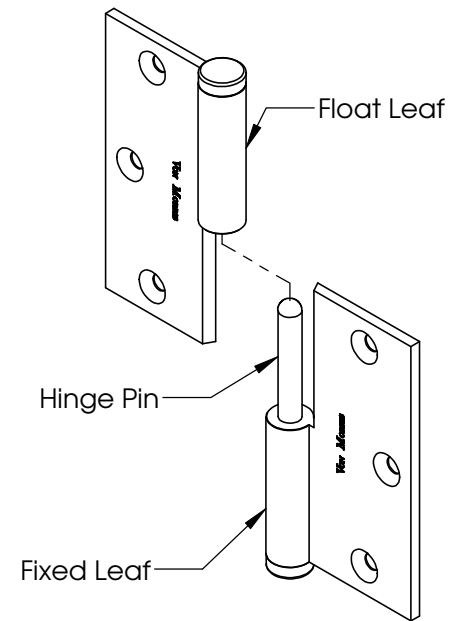
DO NOT SCALE DRAWING

SIZE A	DWG. NO.	REV
SCALE: 1:1		SHEET 1 OF 1

PROPRIETARY AND CONFIDENTIAL
THE INFORMATION CONTAINED IN THIS DRAWING IS THE SOLE PROPERTY OF **VON MORRIS CORPORATION**. ANY REPRODUCTION IN PART OR AS A WHOLE WITHOUT THE WRITTEN PERMISSION OF **VON MORRIS CORPORATION** IS PROHIBITED.




Standard finial furnished with hinge. Other finials available at additional cost.



Countersunk for # 10 screws (6 Places)

Note: Right Hand hinge shown, Left Hand opposite

TITLE:

13-3535R/2 Two Knuckle Lift-Off Hinge

UNLESS OTHERWISE SPECIFIED:

DIMENSIONS ARE IN INCHES
 TOLERANCES:
 FRACTIONAL \pm
 ANGULAR: MACH \pm BEND \pm
 TWO PLACE DECIMAL \pm
 THREE PLACE DECIMAL \pm

	NAME	DATE
DRAWN		
CHECKED		
ENG APPR.		
MFG APPR.		
FINISH	Q.A.	



PHONE: 1-800-646-6888
 FAX: 1-800-646-8988
 email: info@vonmorris.com
 http://www.vonmorris.com

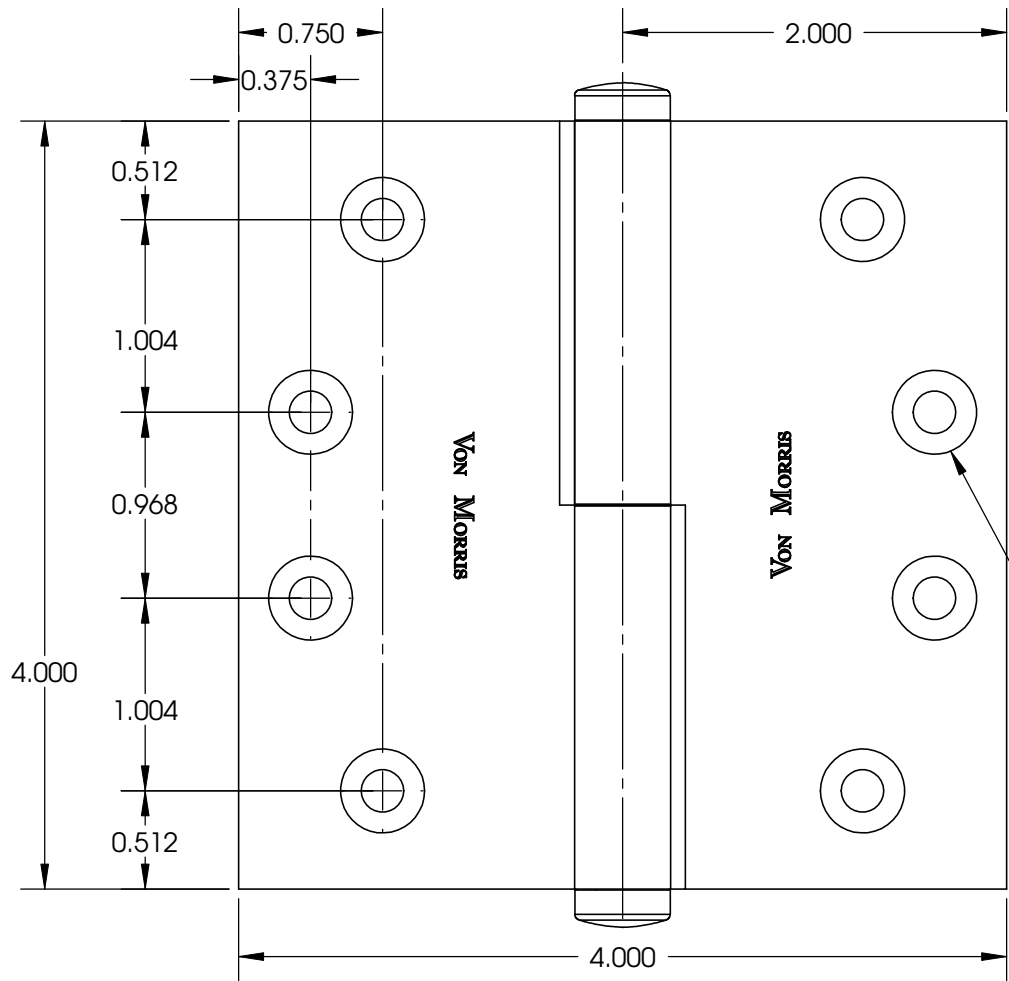
DO NOT SCALE DRAWING

SIZE	DWG. NO.	REV
A		

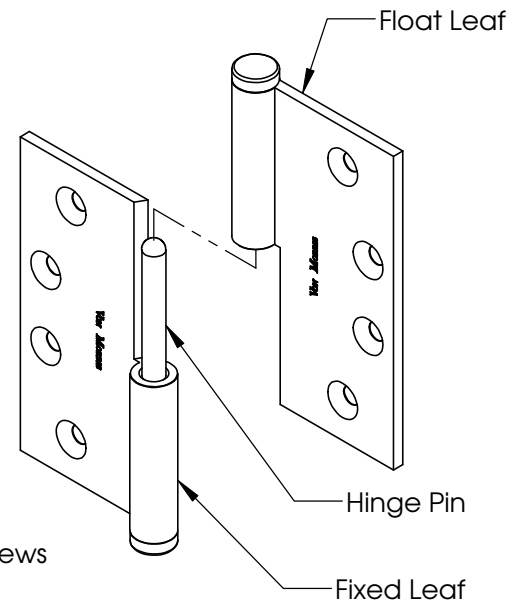
SCALE: 1:1 SHEET 1 OF 1

PROPRIETARY AND CONFIDENTIAL

THE INFORMATION CONTAINED IN THIS DRAWING IS THE SOLE PROPERTY OF VON MORRIS CORPORATION. ANY REPRODUCTION IN PART OR AS A WHOLE WITHOUT THE WRITTEN PERMISSION OF VON MORRIS CORPORATION IS PROHIBITED.

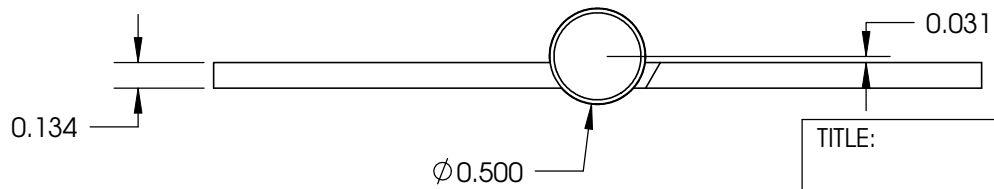


Countersunk for # 12 screws
(8 Places)



Standard finials supplied with hinge. Other finials available at additional cost.

NOTE: Left Hand hinge shown, Right Hand opposite




TITLE:
13-4040L/2 Two Knuckle Lift Off Hinge

PROPRIETARY AND CONFIDENTIAL
THE INFORMATION CONTAINED IN THIS DRAWING IS THE SOLE PROPERTY OF **VON MORRIS CORPORATION**. ANY REPRODUCTION IN PART OR AS A WHOLE WITHOUT THE WRITTEN PERMISSION OF **VON MORRIS CORPORATION** IS PROHIBITED.

UNLESS OTHERWISE SPECIFIED:
DIMENSIONS ARE IN INCHES
TOLERANCES:
FRACTIONAL ±
ANGULAR: MACH ± BEND ±
TWO PLACE DECIMAL ±
THREE PLACE DECIMAL ±

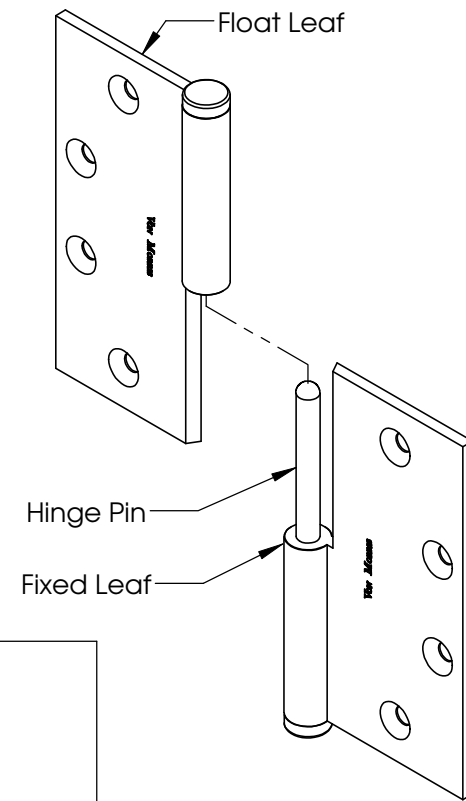
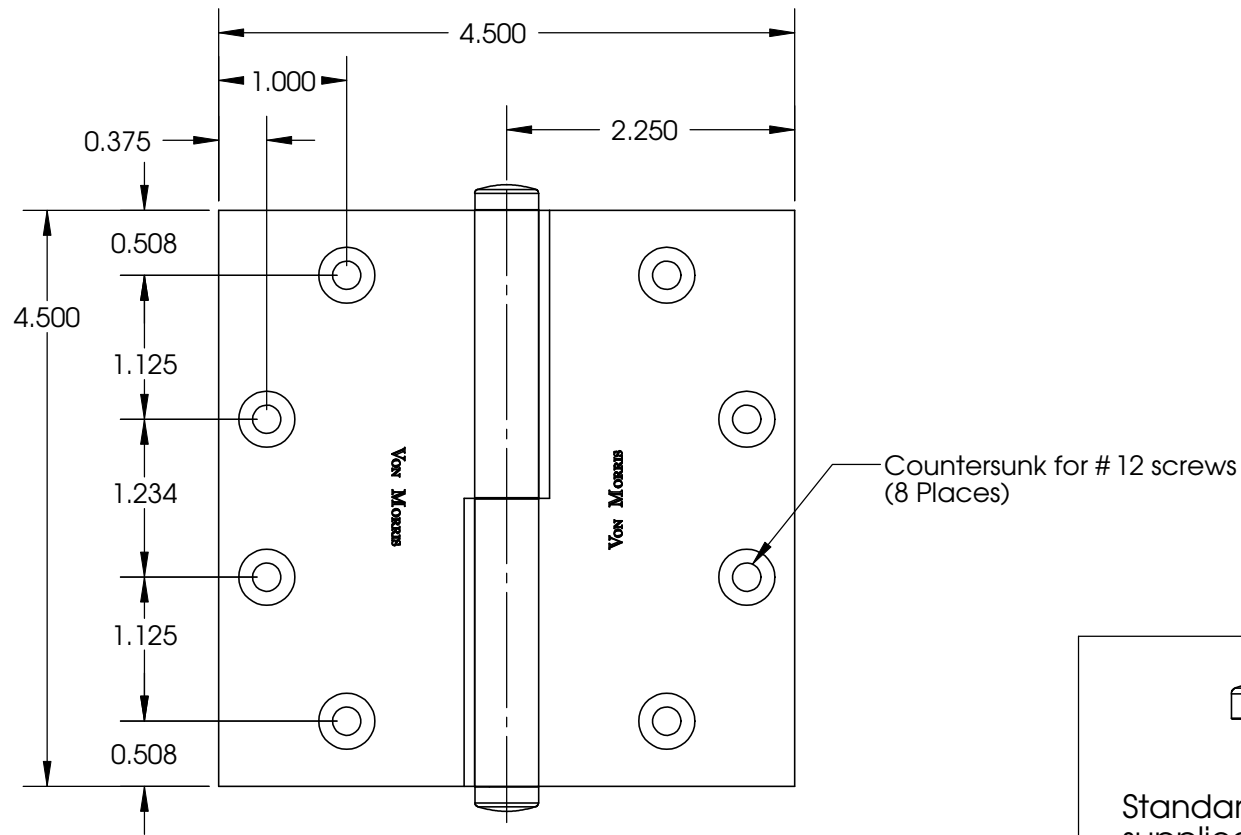
	NAME	DATE
DRAWN		
CHECKED		
MATERIAL	ENG APPR.	
FINISH	MFG APPR.	
	Q.A.	


 PHONE: 1-800-646-6888
 FAX: 1-800-646-8988
 email: info@vonmorris.com
 http://www.vonmorris.com

DO NOT SCALE DRAWING

SIZE	DWG. NO.	REV
A		

SCALE: 1:1





 Standard finial
 supplied with hinge.
 Other finials available
 at additional cost.

Note: Right Hand hinge shown, Left Hand opposite.

PROPRIETARY AND CONFIDENTIAL
 THE INFORMATION CONTAINED IN THIS DRAWING IS THE SOLE PROPERTY OF **VON MORRIS CORPORATION**. ANY REPRODUCTION IN PART OR AS A WHOLE WITHOUT THE WRITTEN PERMISSION OF **VON MORRIS CORPORATION** IS PROHIBITED.

TITLE:
13-4545R/2 Two Knuckle Lift-Off Hinge

UNLESS OTHERWISE SPECIFIED: DIMENSIONS ARE IN INCHES TOLERANCES: FRACTIONAL ± ANGULAR: MACH ± BEND ± TWO PLACE DECIMAL ± THREE PLACE DECIMAL ±		NAME	DATE	 PHONE: 1-800-646-6888 FAX: 1-800-646-8988 email: info@vonmorris.com http://www.vonmorris.com
DRAWN				
CHECKED				DO NOT SCALE DRAWING SIZE DWG. NO. REV
MATERIAL		ENG APPR.		
FINISH		MFG APPR.		A SCALE: 1:1 SHEET 1 OF 1
		Q.A.		