
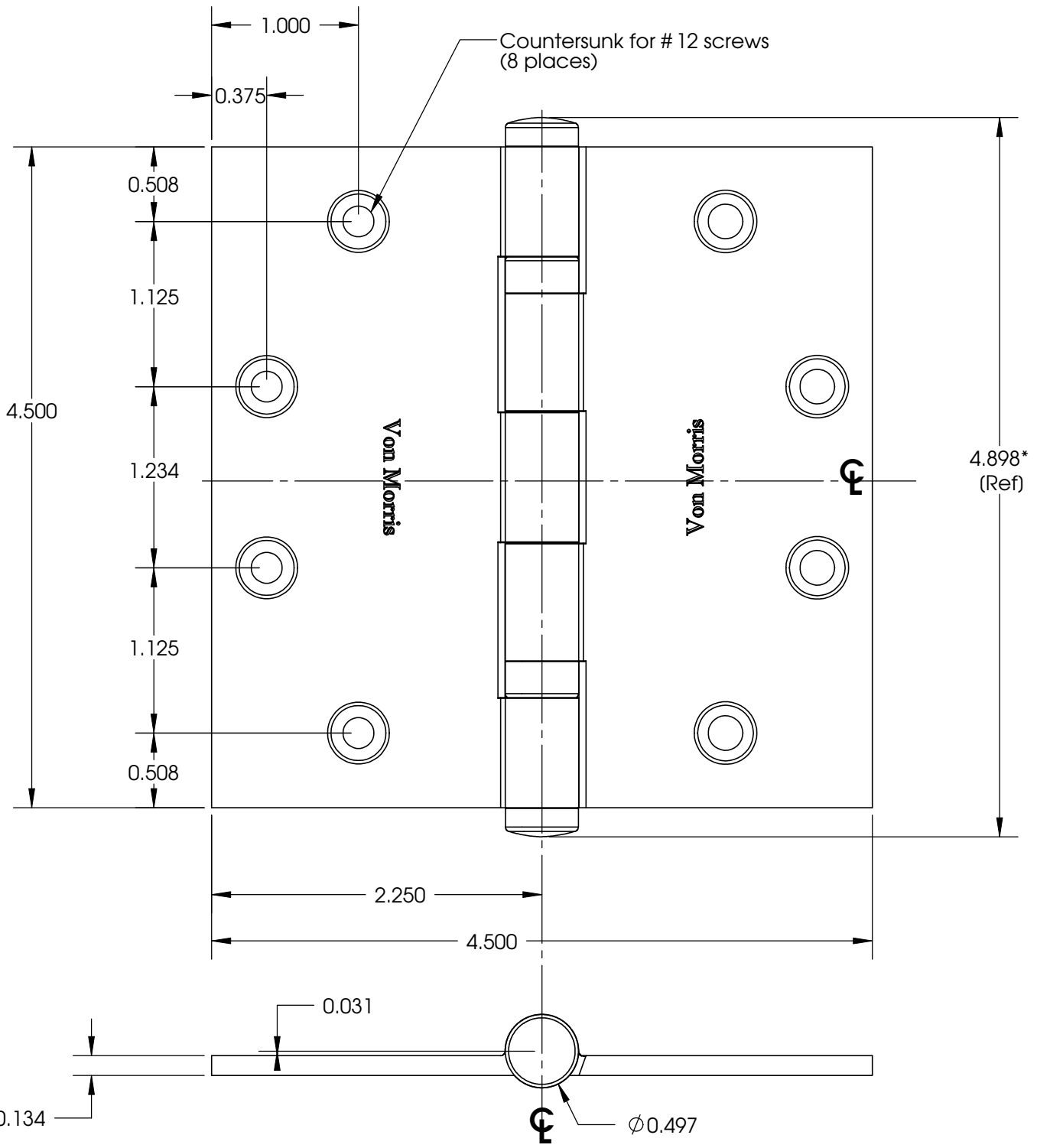


NOTE: Hinge is symmetrical about the center line(s)

*NOTE 2: REF dimension across finials, hinge shown with standard finials, additional finials available at additional cost.


TITLE:				11-4040BB Hinge Template	
DIMENSIONS ARE IN INCHES TOLERANCES: FRACTIONAL ± ANGULAR: MACH ± BEND ± TWO PLACE DECIMAL ± THREE PLACE DECIMAL ±				NAME	DATE
MATERIAL				DRAWN	
FINISH				CHECKED	
				ENG APPR.	
				MFG APPR.	
				Q.A.	
				PHONE: 1-800-646-6888 FAX: 1-800-646-8988 email: info@vonmorris.com http://www.vonmorris.com	
DO NOT SCALE DRAWING					
SIZE		DWG. NO.		REV.	
A					
SCALE: 1:1				SHEET 1 OF 1	

PROPRIETARY AND CONFIDENTIAL
 THE INFORMATION CONTAINED IN THIS DRAWING IS THE SOLE PROPERTY OF VON MORRIS CORPORATION. ANY REPRODUCTION IN PART OR AS A WHOLE WITHOUT THE WRITTEN PERMISSION OF VON MORRIS CORPORATION IS PROHIBITED.

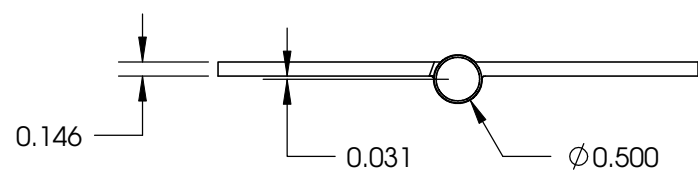
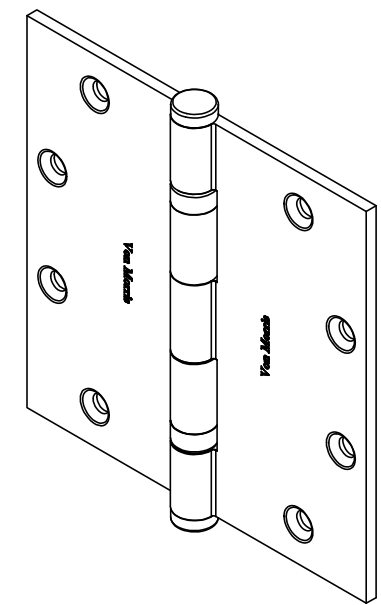
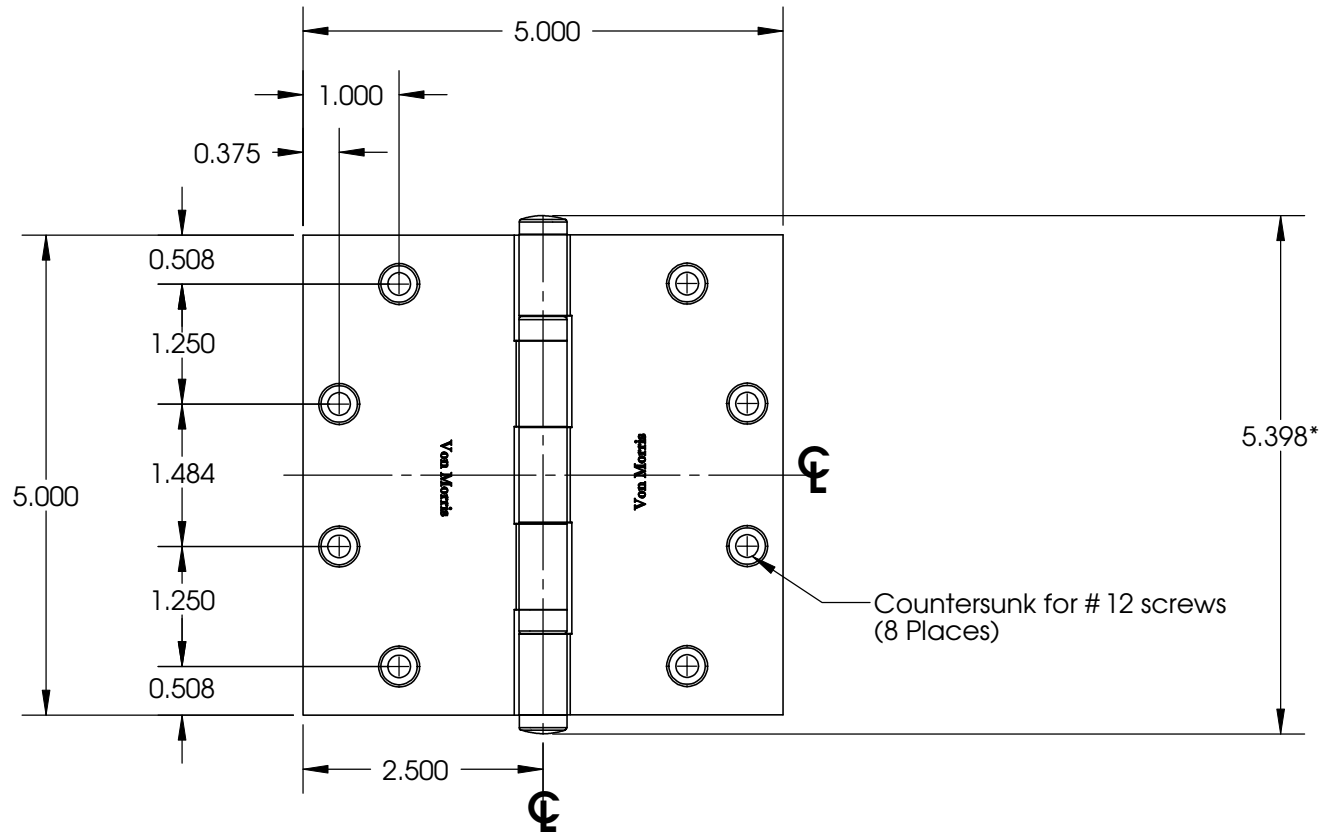


NOTE: Hinge is symmetrical about the center line(s)

*NOTE 2: REF dimension across finials, hinge shown with standard finials, additional finials available at additional cost.

TITLE:		11-4545BB Hinge Template	
DIMENSIONS ARE IN INCHES TOLERANCES: FRACTIONAL \pm ANGULAR: MACH \pm BEND \pm TWO PLACE DECIMAL \pm THREE PLACE DECIMAL \pm		NAME	DATE
MATERIAL	FINISH	DRAWN	CHECKED
		ENG APPR.	MFG APPR.
		Q.A.	
		 PHONE: 1-800-646-6888 FAX: 1-800-646-8988 email: info@vonmorris.com http://www.vonmorris.com	
DO NOT SCALE DRAWING			
SIZE	DWG. NO.	REV.	
A			
SCALE: 1:2			SHEET 1 OF 1

PROPRIETARY AND CONFIDENTIAL
 THE INFORMATION CONTAINED IN THIS DRAWING IS THE SOLE PROPERTY OF **VON MORRIS CORPORATION**. ANY REPRODUCTION IN PART OR AS A WHOLE WITHOUT THE WRITTEN PERMISSION OF **VON MORRIS CORPORATION** IS PROHIBITED.



Countersunk for # 12 screws
(8 Places)

NOTE: Hinge is symmetrical about the center line(s)

*NOTE 2: REF dimension across finials, hinge shown with standard finials, additional finials available at additional cost.

TITLE:
11-5050BB Hinge Template

UNLESS OTHERWISE SPECIFIED:

DIMENSIONS ARE IN INCHES
TOLERANCES:
FRACTIONAL ±
ANGULAR: MACH ± BEND ±
TWO PLACE DECIMAL ±
THREE PLACE DECIMAL ±

	NAME	DATE
DRAWN		
CHECKED		
ENG APPR.		
MFG APPR.		
FINISH		
Q.A.		



PHONE: 1-800-646-6888
FAX: 1-800-646-8988
email: info@vonmorris.com
http://www.vonmorris.com

DO NOT SCALE DRAWING

SIZE A	DWG. NO.	REV
SCALE: 1:2		SHEET 1 OF 1

PROPRIETARY AND CONFIDENTIAL
THE INFORMATION CONTAINED IN THIS DRAWING IS THE SOLE PROPERTY OF **VON MORRIS CORPORATION**. ANY REPRODUCTION IN PART OR AS A WHOLE WITHOUT THE WRITTEN PERMISSION OF **VON MORRIS CORPORATION** IS PROHIBITED.