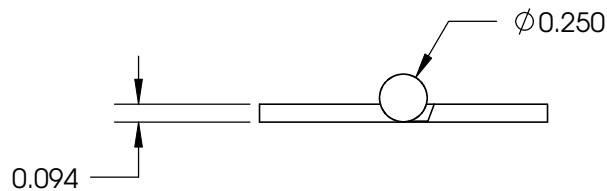
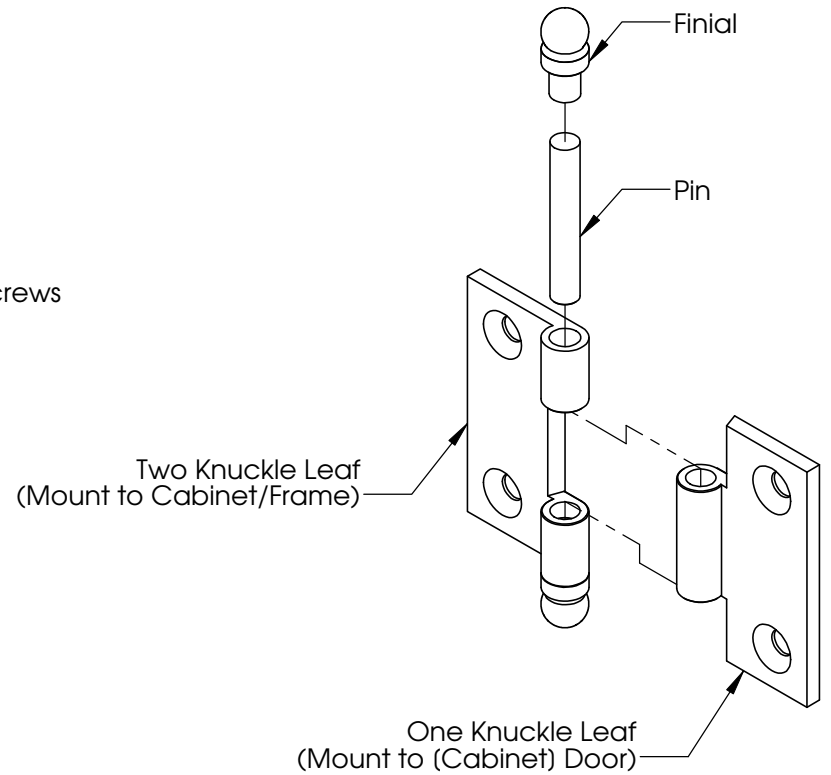


Countersunk for #6 screws
(4 Places)



Note: Hinge supplied with Ball tip finials pre-installed. Other finials available at additional cost.

TITLE:

60-1515 Cabinet Hinge

UNLESS OTHERWISE SPECIFIED:

DIMENSIONS ARE IN INCHES
TOLERANCES:
FRACTIONAL ±
ANGULAR: MACH ± BEND ±
TWO PLACE DECIMAL ±
THREE PLACE DECIMAL ±

MATERIAL

FINISH

	NAME	DATE
DRAWN		
CHECKED		
ENG APPR.		
MFG APPR.		
Q.A.		



PHONE: 1-800-646-6888
FAX: 1-800-646-8988
email: info@vonmorris.com
http://www.vonmorris.com

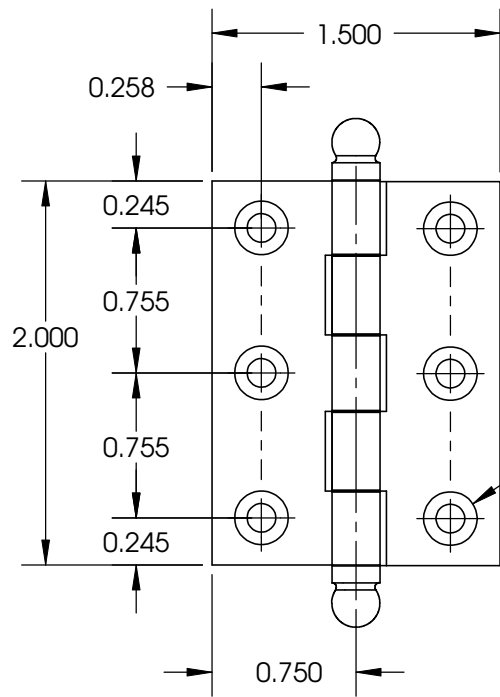
DO NOT SCALE DRAWING

SIZE	DWG. NO.	REV
A		

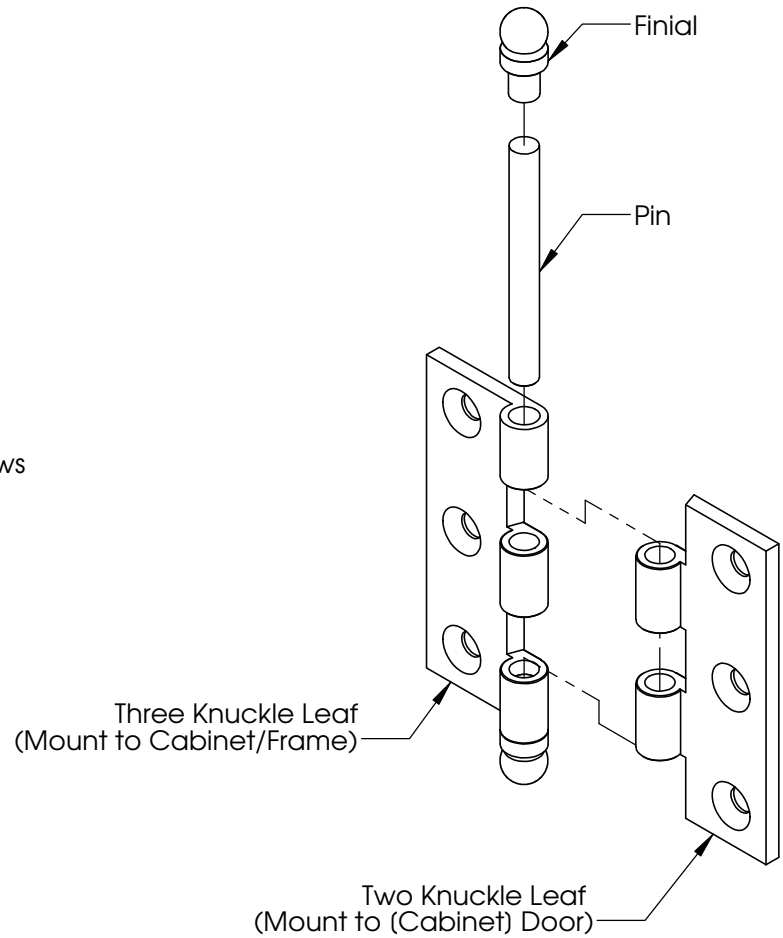
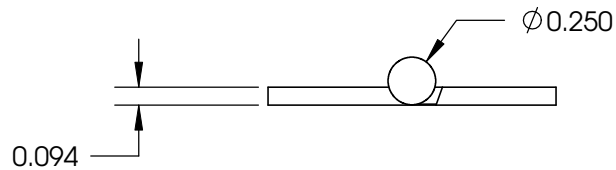
SCALE: 1:1 SHEET 1 OF 1

PROPRIETARY AND CONFIDENTIAL

THE INFORMATION CONTAINED IN THIS DRAWING IS THE SOLE PROPERTY OF VON MORRIS CORPORATION. ANY REPRODUCTION IN PART OR AS A WHOLE WITHOUT THE WRITTEN PERMISSION OF VON MORRIS CORPORATION IS PROHIBITED.



Countersunk for #6 screws
(6 Places)



Note: Hinges supplied with Ball tip finials pre-installed. Additional finials available at additional cost.

TITLE:

60-2015 Cabinet Hinge

UNLESS OTHERWISE SPECIFIED:

DIMENSIONS ARE IN INCHES
TOLERANCES:
FRACTIONAL ±
ANGULAR: MACH ± BEND ±
TWO PLACE DECIMAL ±
THREE PLACE DECIMAL ±

MATERIAL

FINISH

	NAME	DATE
DRAWN		
CHECKED		
ENG APPR.		
MFG APPR.		
Q.A.		



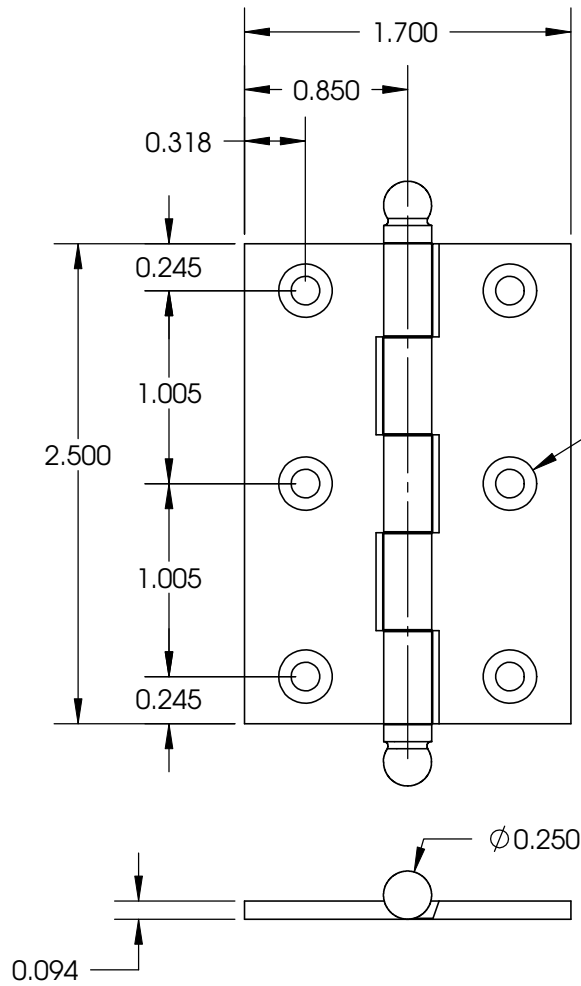
PHONE: 1-800-646-6888
FAX: 1-800-646-8988
email: info@vonmorris.com
http://www.vonmorris.com

DO NOT SCALE DRAWING

SIZE A	DWG. NO.	REV
SCALE: 1:1		SHEET 1 OF 1

PROPRIETARY AND CONFIDENTIAL

THE INFORMATION CONTAINED IN THIS DRAWING IS THE SOLE PROPERTY OF **VON MORRIS CORPORATION**. ANY REPRODUCTION IN PART OR AS A WHOLE WITHOUT THE WRITTEN PERMISSION OF **VON MORRIS CORPORATION** IS PROHIBITED.



Countersunk for #6 screws
(6 Places)

Three Knuckle Leaf
(Mount to Cabinet/Frame)

Two Knuckle Hinge
(Mount to (Cabinet) Door)

Note: Hinges are supplied with Ball Tip finials pre-installed. Other finials available at additional cost.

TITLE:

60-2517 Cabinet Hinge

UNLESS OTHERWISE SPECIFIED:

DIMENSIONS ARE IN INCHES
TOLERANCES:
FRACTIONAL \pm
ANGULAR: MACH \pm BEND \pm
TWO PLACE DECIMAL \pm
THREE PLACE DECIMAL \pm

MATERIAL

FINISH

	NAME	DATE
DRAWN		
CHECKED		
ENG APPR.		
MFG APPR.		
Q.A.		



PHONE: 1-800-646-6888
FAX: 1-800-646-8988
email: info@vonmorris.com
http://www.vonmorris.com

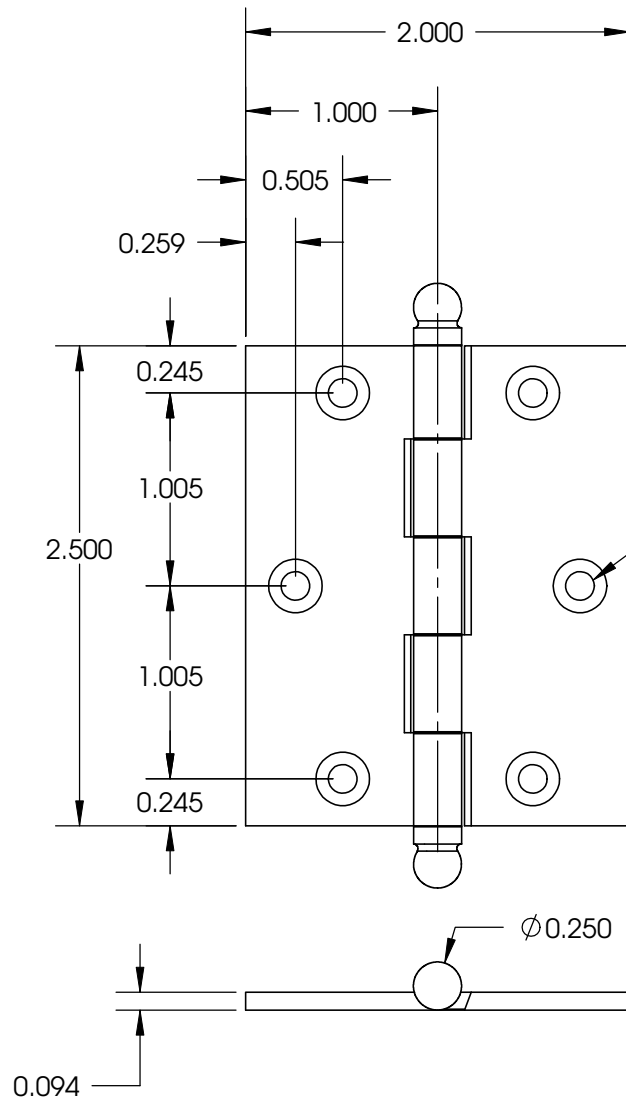
DO NOT SCALE DRAWING

SIZE	DWG. NO.	REV
A		
SCALE: 1:1		SHEET 1 OF 1

PROPRIETARY AND CONFIDENTIAL

THE INFORMATION CONTAINED IN THIS DRAWING IS THE SOLE PROPERTY OF **VON MORRIS CORPORATION**. ANY REPRODUCTION IN PART OR AS A WHOLE WITHOUT THE WRITTEN PERMISSION OF **VON MORRIS CORPORATION** IS PROHIBITED.

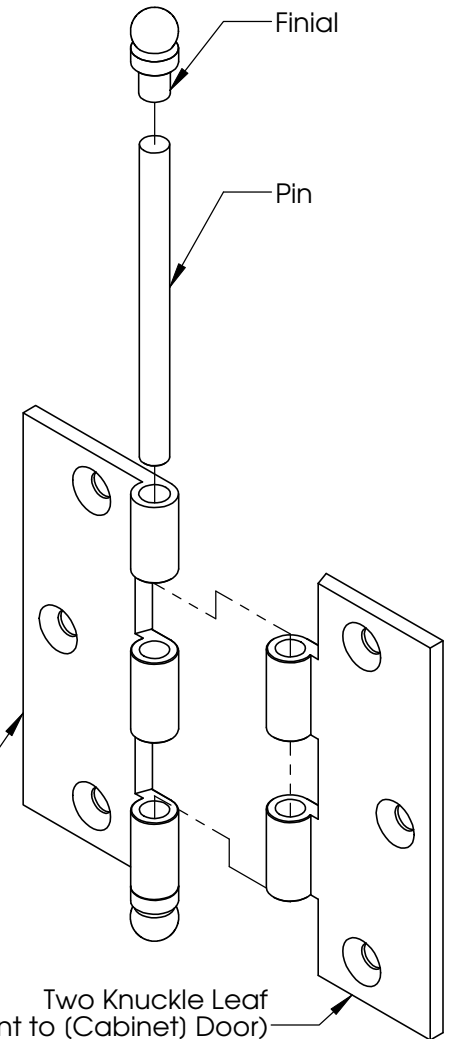
Note: Hinges supplied with Ball tip finials pre-installed. Other finials available at additional cost.



Countersunk for #6 screws
(6 Places)

Three Knuckle Leaf
(Mount to Cabinet/Frame)

Two Knuckle Leaf
(Mount to (Cabinet) Door)



TITLE:

60-2520 Cabinet Hinge

UNLESS OTHERWISE SPECIFIED:

DIMENSIONS ARE IN INCHES
TOLERANCES:
FRACTIONAL ±
ANGULAR: MACH ± BEND ±
TWO PLACE DECIMAL ±
THREE PLACE DECIMAL ±

MATERIAL

FINISH

	NAME	DATE
DRAWN		
CHECKED		
ENG APPR.		
MFG APPR.		
Q.A.		



PHONE: 1-800-646-6888
FAX: 1-800-646-8988
email: info@vonmorris.com
http://www.vonmorris.com

DO NOT SCALE DRAWING

SIZE	DWG. NO.	REV
A		

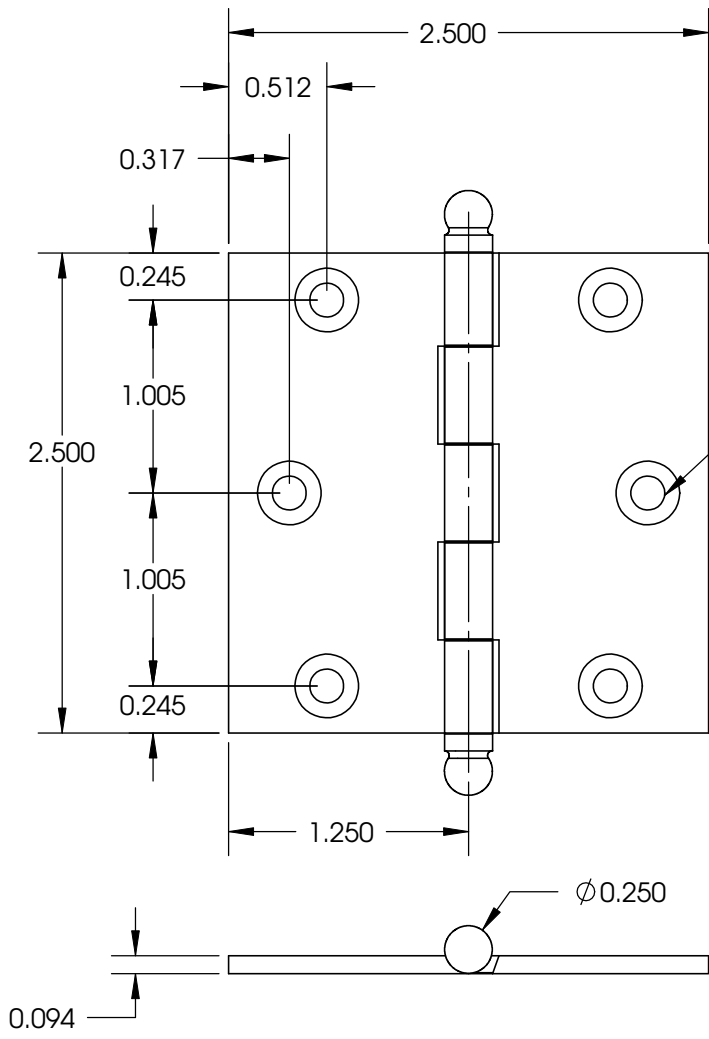
SCALE: 1:1

SHEET 1 OF 1

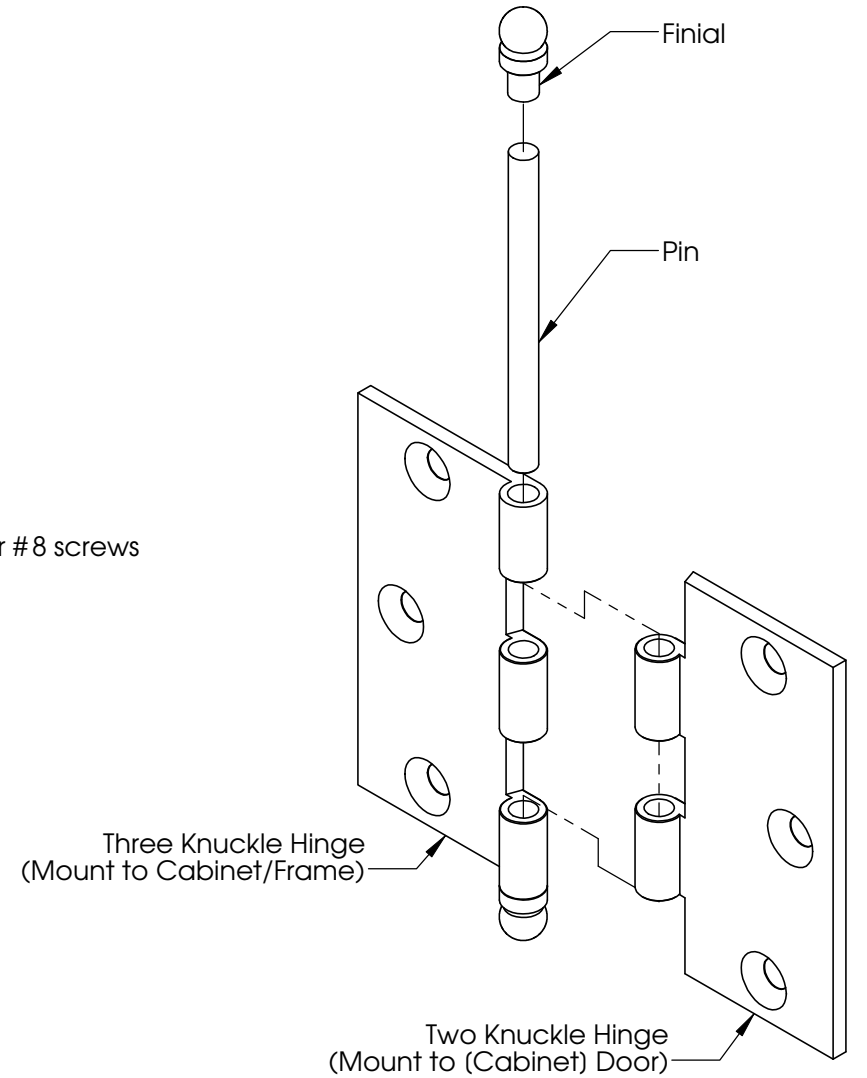
PROPRIETARY AND CONFIDENTIAL

THE INFORMATION CONTAINED IN THIS DRAWING IS THE SOLE PROPERTY OF VON MORRIS CORPORATION. ANY REPRODUCTION IN PART OR AS A WHOLE WITHOUT THE WRITTEN PERMISSION OF VON MORRIS CORPORATION IS PROHIBITED.

Note: Hinges supplied with Ball tip finials pre-installed. Other finials available at additional cost.



Countersunk for #8 screws
(6 Places)



TITLE: **60-2525 Cabinet Hinge**

UNLESS OTHERWISE SPECIFIED:

DIMENSIONS ARE IN INCHES
TOLERANCES:
FRACTIONAL ±
ANGULAR: MACH ± BEND ±
TWO PLACE DECIMAL ±
THREE PLACE DECIMAL ±

	NAME	DATE
DRAWN		
CHECKED		
MATERIAL	ENG APPR.	
FINISH	MFG APPR.	
	Q.A.	



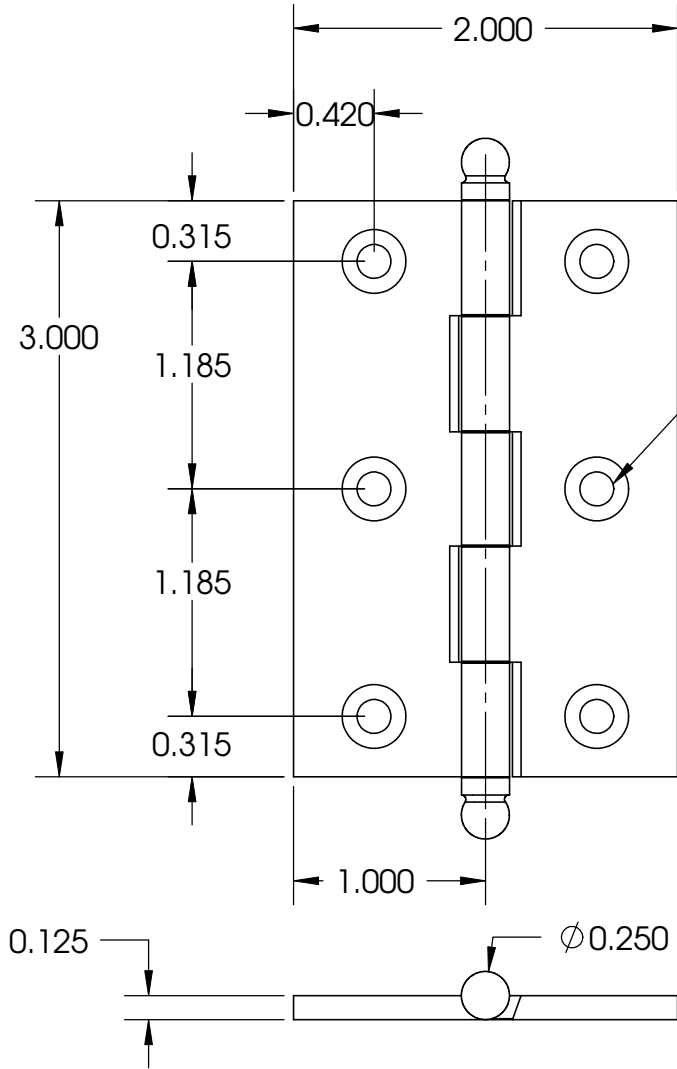
PHONE: 1-800-646-6888
FAX: 1-800-646-8988
email: info@vonmorris.com
http://www.vonmorris.com

DO NOT SCALE DRAWING

SIZE	DWG. NO.	REV
A		
SCALE: 1:1		SHEET 1 OF 1

PROPRIETARY AND CONFIDENTIAL
THE INFORMATION CONTAINED IN THIS DRAWING IS THE SOLE PROPERTY OF **VON MORRIS CORPORATION**. ANY REPRODUCTION IN PART OR AS A WHOLE WITHOUT THE WRITTEN PERMISSION OF **VON MORRIS CORPORATION** IS PROHIBITED.

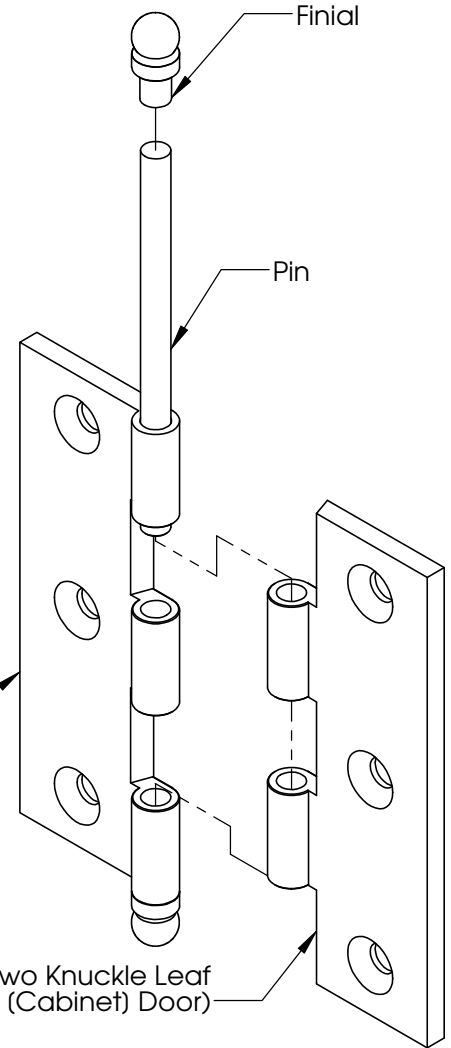
Note: Hinge supplied with Ball tip finials, pre-installed. Other finials available at additional cost.



Countersunk for #8 screws (6 Places)

Three Knuckle Hinge (Mount to Cabinet/Frame)

Two Knuckle Leaf (Mount to (Cabinet) Door)



TITLE:

60-3020 Cabinet Hinge

UNLESS OTHERWISE SPECIFIED:

DIMENSIONS ARE IN INCHES
TOLERANCES:
FRACTIONAL ±
ANGULAR: MACH ± BEND ±
TWO PLACE DECIMAL ±
THREE PLACE DECIMAL ±

MATERIAL

FINISH

	NAME	DATE
DRAWN		
CHECKED		
ENG APPR.		
MFG APPR.		
Q.A.		



PHONE: 1-800-646-6888
FAX: 1-800-646-8988
email: info@vonmorris.com
http://www.vonmorris.com

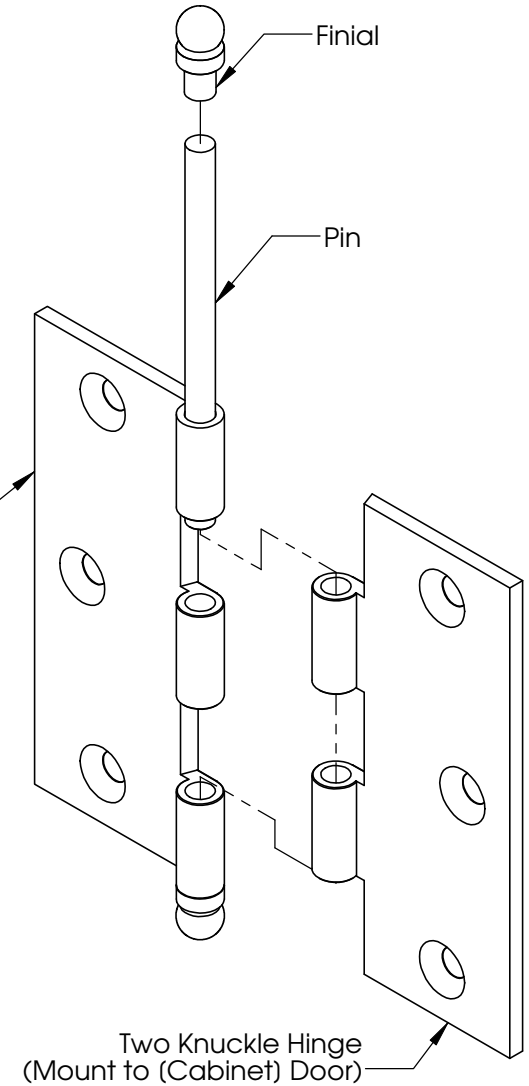
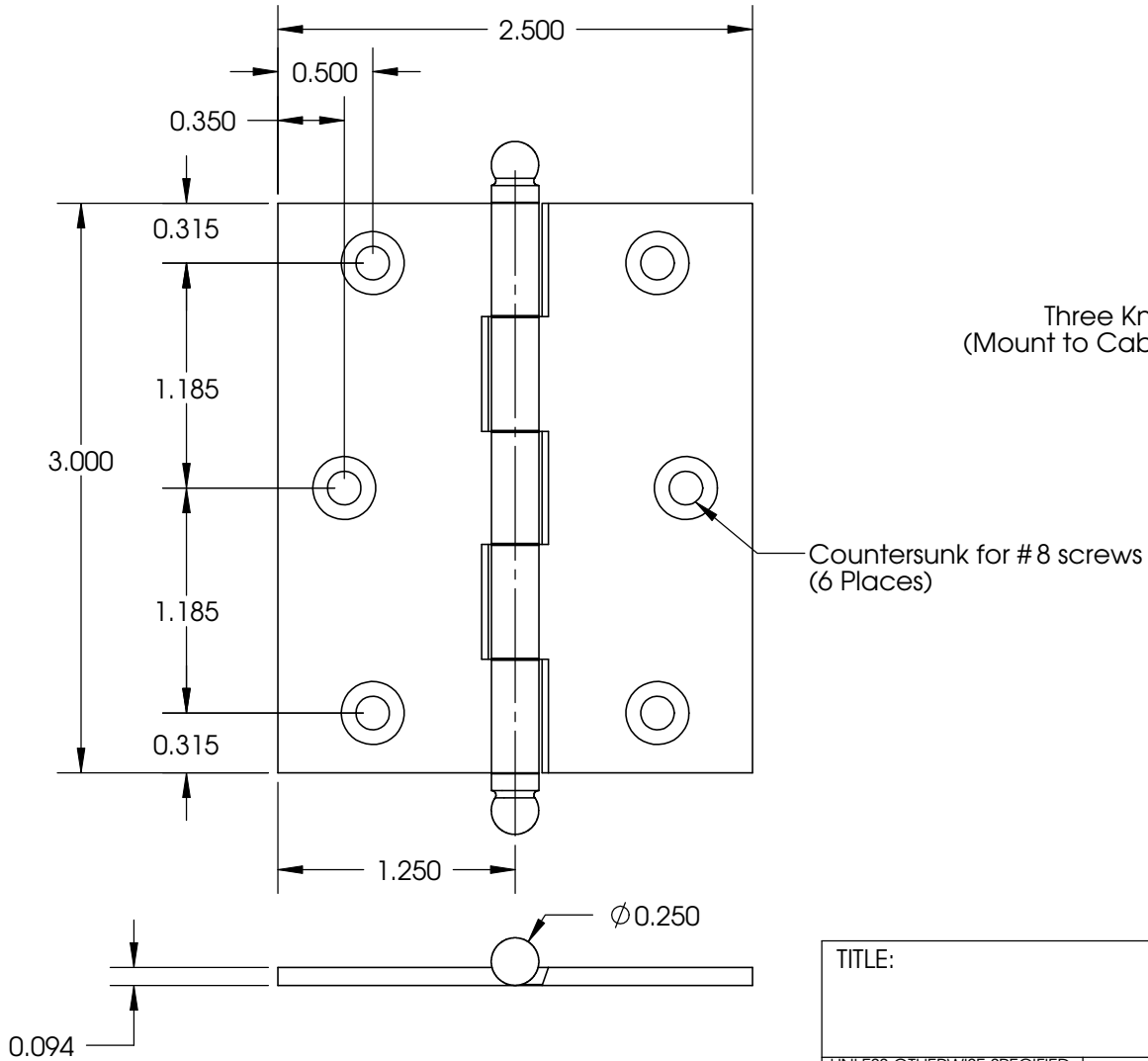
DO NOT SCALE DRAWING

SIZE	DWG. NO.	REV
A		
SCALE: 1:1		SHEET 1 OF 1

PROPRIETARY AND CONFIDENTIAL

THE INFORMATION CONTAINED IN THIS DRAWING IS THE SOLE PROPERTY OF VON MORRIS CORPORATION. ANY REPRODUCTION IN PART OR AS A WHOLE WITHOUT THE WRITTEN PERMISSION OF VON MORRIS CORPORATION IS PROHIBITED.

Note: Hinges supplied with Ball tip finials pre-installed. Other finials available at additional cost.



TITLE:

60-3025 Cabinet Hinge

UNLESS OTHERWISE SPECIFIED:

DIMENSIONS ARE IN INCHES
 TOLERANCES:
 FRACTIONAL \pm
 ANGULAR: MACH \pm BEND \pm
 TWO PLACE DECIMAL \pm
 THREE PLACE DECIMAL \pm

MATERIAL

FINISH

	NAME	DATE
DRAWN		
CHECKED		
ENG APPR.		
MFG APPR.		
Q.A.		



PHONE: 1-800-646-6888
 FAX: 1-800-646-8988
 email: info@vonmorris.com
 http://www.vonmorris.com

DO NOT SCALE DRAWING

SIZE	DWG. NO.	REV
A		
SCALE: 1:1		SHEET 1 OF 1

PROPRIETARY AND CONFIDENTIAL

THE INFORMATION CONTAINED IN THIS DRAWING IS THE SOLE PROPERTY OF **VON MORRIS CORPORATION**. ANY REPRODUCTION IN PART OR AS A WHOLE WITHOUT THE WRITTEN PERMISSION OF **VON MORRIS CORPORATION** IS PROHIBITED.