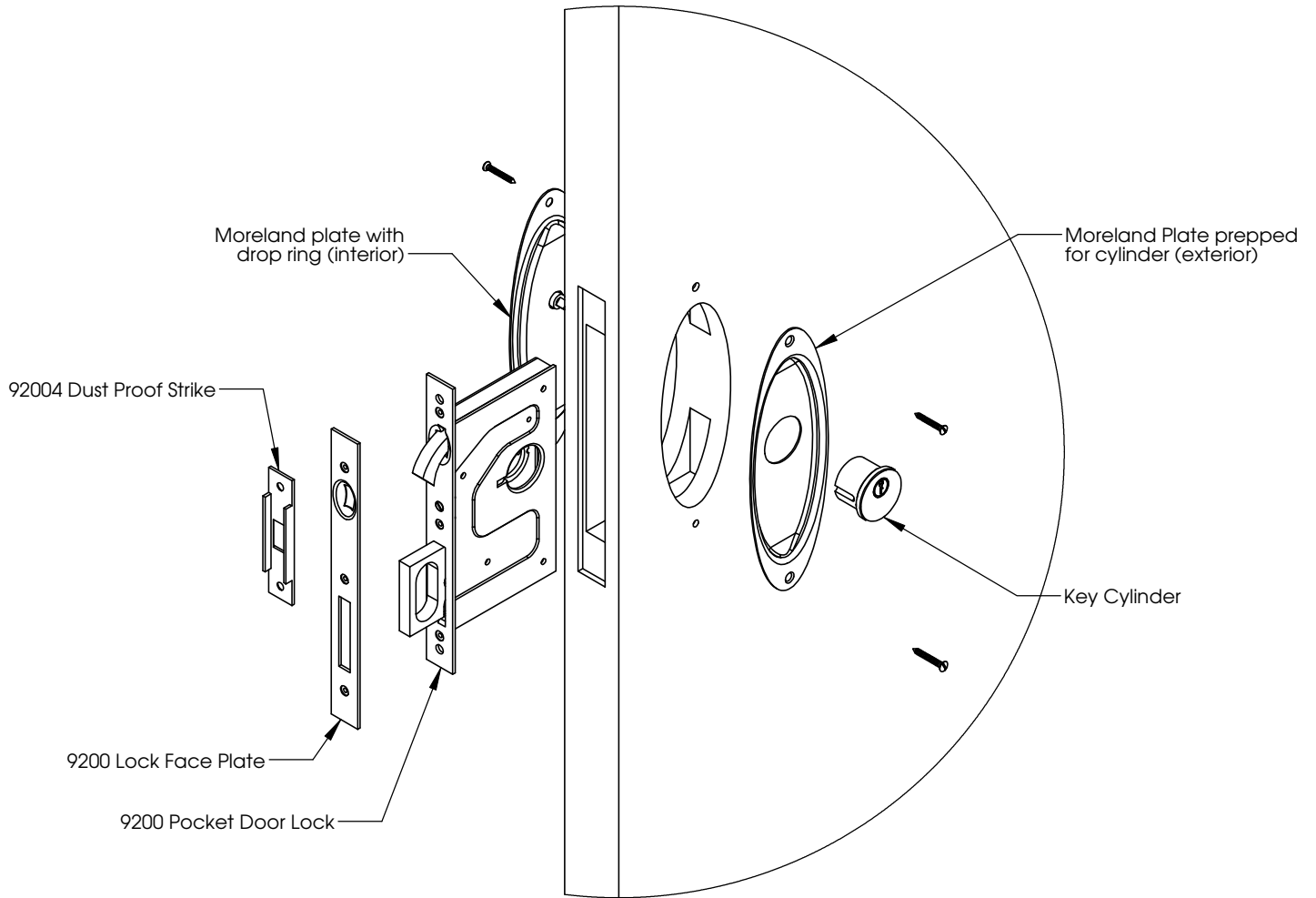


# Standard Pocket Door Lock (82093 Moreland Single Cylinder Set shown)



TITLE:

DIMENSIONS ARE IN INCHES		NAME	DATE
TOLERANCES:			
FRACTIONAL ±		DRAWN	
ANGULAR: MACH ±	BEND ±	CHECKED	
TWO PLACE DECIMAL ±		ENG APPR.	
THREE PLACE DECIMAL ±		MFG APPR.	
MATERIAL		Q.A.	
FINISH			



PHONE: 1-800-646-6888  
 FAX: 1-800-646-8988  
 email: info@vonmorris.com  
 http: // www.vonmorris.com

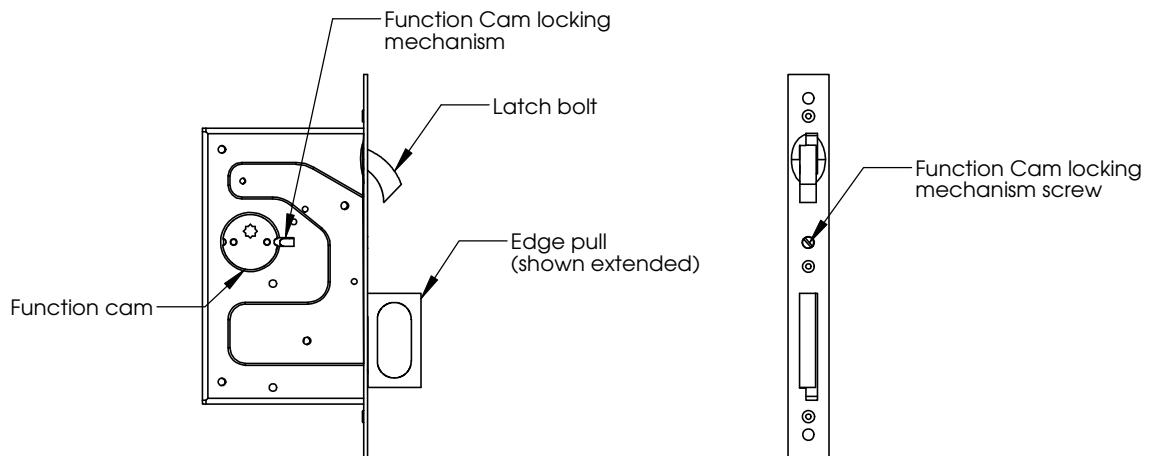
**DO NOT SCALE DRAWING**

SIZE	DWG. NO.	REV.
<b>A</b>		
SCALE: 1:24	SHEET 1 OF 7	

**PROPRIETARY AND CONFIDENTIAL**  
 THE INFORMATION CONTAINED IN THIS DRAWING IS THE SOLE PROPERTY OF **VON MORRIS CORPORATION**. ANY REPRODUCTION IN PART OR AS A WHOLE WITHOUT THE WRITTEN PERMISSION OF **VON MORRIS CORPORATION** IS PROHIBITED.

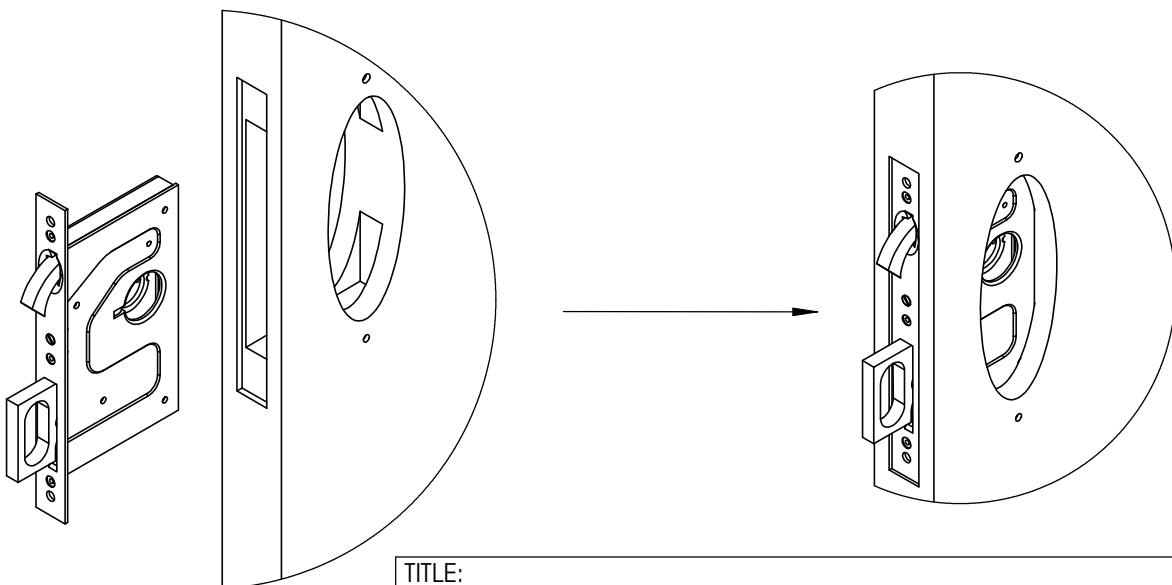
# Traditional Pocket Door Lock Installation Instructions


- 1) Ensure door is prepped according to the Bryn Mawr or Moreland template, according to selected trim.
- 2) Prior to installing the 9200 Pocket Door Lock (PDL) body, ensure that the appropriate function cam is installed (standard cam illustrated below):
  - A) Drop ring and Emergency Release (ER) trim require standard cam
  - B) Bit kit function/trim requires bit key cams (**MUST BE bit key by bit key**)
  - C) Cylinders require no cams (the cylinder threads directly into the lock body)



3) If not using cylinders, ensure that the cams are locked into place. The cam locking mechanism will engage the small half circle cut-outs on the cams. If using cylinders, **DO NOT** secure cam at this time.

4) Install the 9200 PDL case into the mortise as shown below. Secure using the two screws. **DO NOT** install the decorative face plate at this time.

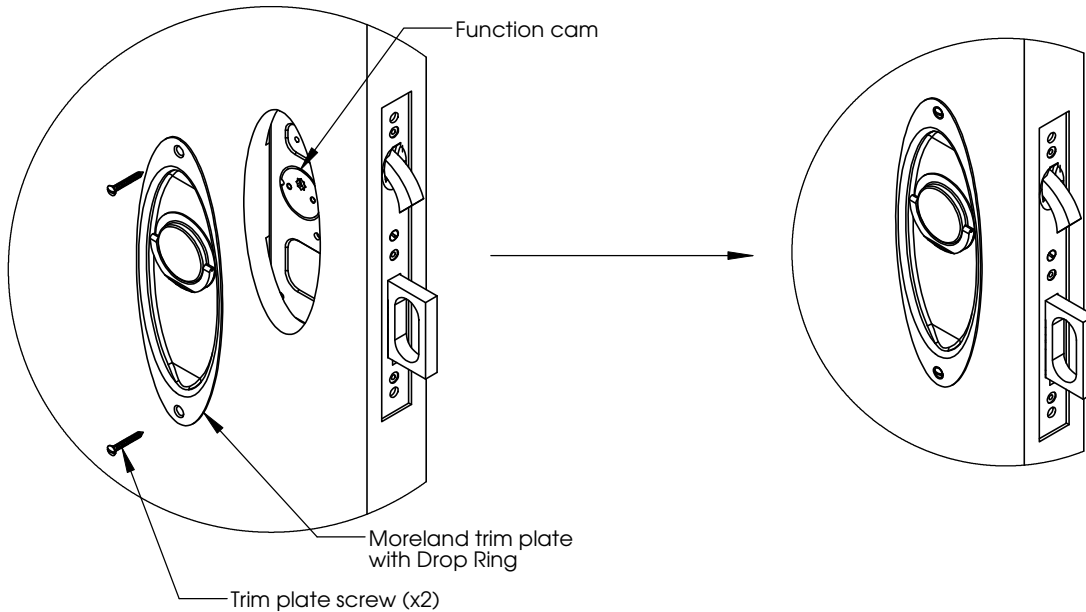


TITLE:			
DIMENSIONS ARE IN INCHES TOLERANCES: FRACTIONAL ± ANGULAR: MACH ±    BEND ± TWO PLACE DECIMAL ± THREE PLACE DECIMAL ±		NAME	DATE
MATERIAL	DRAWN		
FINISH	CHECKED		
	ENG APPR.		
	MFG APPR.		
	Q.A.		
 PHONE: 1-800-646-6888 FAX: 1-800-646-8988 email: info@vonmorris.com http://www.vonmorris.com		DO NOT SCALE DRAWING	
SIZE	DWG. NO.	REV.	
<b>A</b>			
SCALE: 1:24			SHEET 2 OF 7

**PROPRIETARY AND CONFIDENTIAL**  
 THE INFORMATION CONTAINED IN THIS DRAWING IS THE SOLE PROPERTY OF **VON MORRIS CORPORATION**. ANY REPRODUCTION IN PART OR AS A WHOLE WITHOUT THE WRITTEN PERMISSION OF **VON MORRIS CORPORATION** IS PROHIBITED.

5) Cut the spindle on the drop ring turn or ER trim, ensuring that the spindle does not project more than halfway through the lock housing.

6) Place the trim plate on the face of the door with the spindle engaging the star cut-out in the function cam. Secure the trim to the door using the 2 screws (Moreland trim, shown below) or the 4 screws (Bryn Mawr trim).

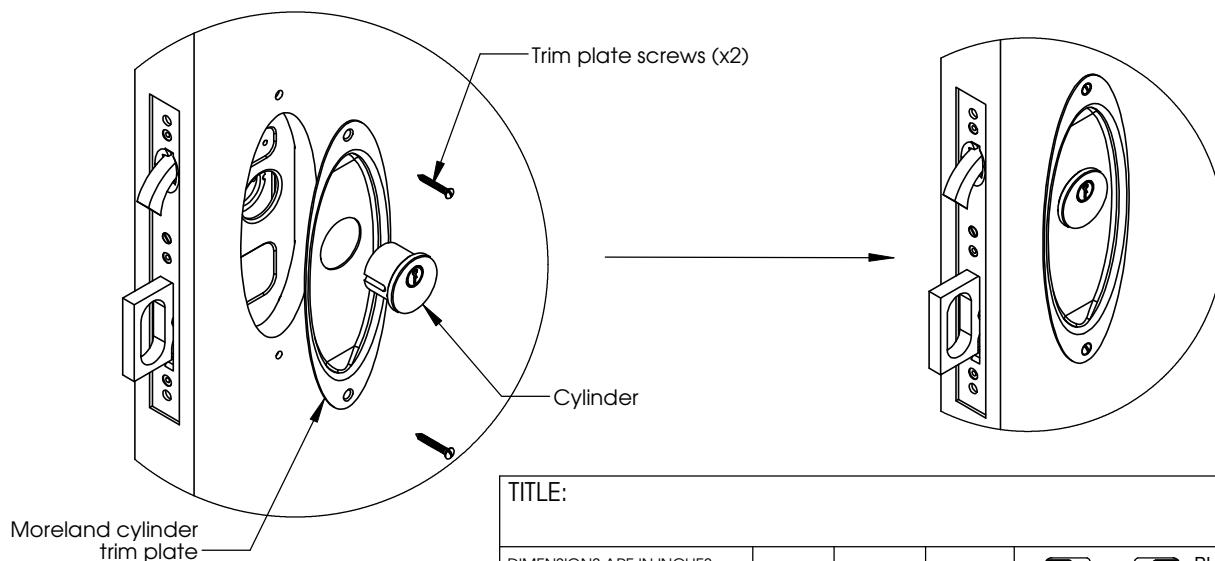


7) If NOT using a cylinder on the exterior of the door, repeat steps 5 and 6 and then skip to step 11. For cylinder installation, proceed to step 8.


8) Place the trim plate against the door. Do not secure with screws yet. Thread the cylinder (and blocking ring if supplied) into the pocket door lock until the cylinder is tight to the trim plate.

9) At this time, tighten the function cam lock screw. This will lock the cylinder in place and prevent rotation during normal use/operation.

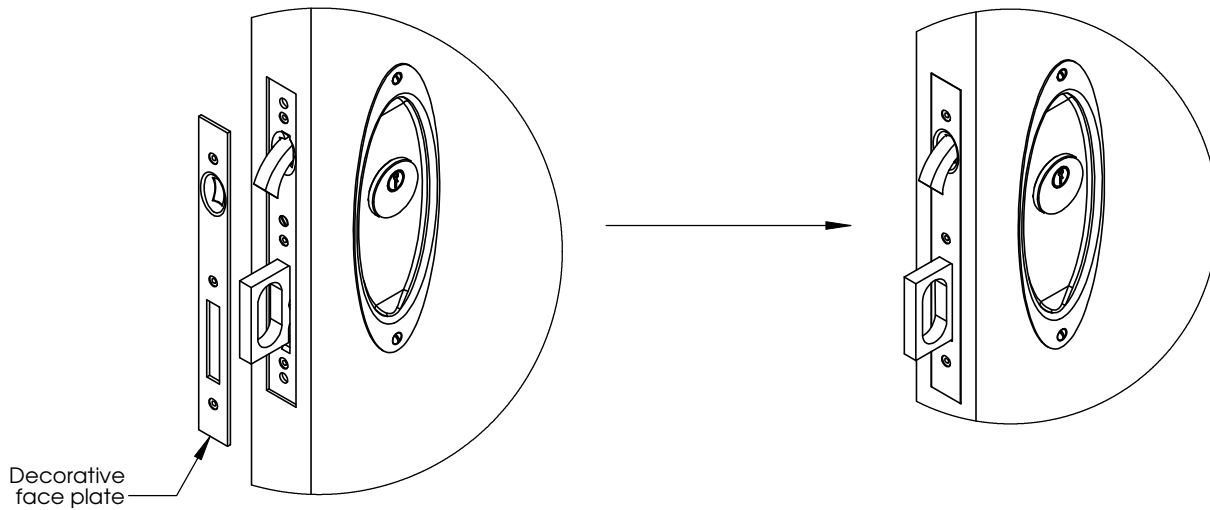
10) Secure the plate as per step #6.



**PROPRIETARY AND CONFIDENTIAL**  
 THE INFORMATION CONTAINED IN THIS DRAWING IS THE SOLE PROPERTY OF VON MORRIS CORPORATION. ANY REPRODUCTION IN PART OR AS A WHOLE WITHOUT THE WRITTEN PERMISSION OF VON MORRIS CORPORATION IS PROHIBITED.

TITLE:				 PHONE: 1-800-646-6888 FAX: 1-800-646-8988 email: info@vonmorris.com http: // www.vonmorris.com	
DIMENSIONS ARE IN INCHES TOLERANCES: FRACTIONAL ± ANGULAR: MACH ± BEND ± TWO PLACE DECIMAL ± THREE PLACE DECIMAL ±		NAME	DATE	<b>DO NOT SCALE DRAWING</b>	
MATERIAL	DRAWN			SIZE	REV.
FINISH	CHECKED			DWG. NO.	
	ENG APPR.			<b>A</b>	
	MFG APPR.			SCALE: 1:24	SHEET 3 OF 7
	Q.A.				

11) Attach decorative face plate to face of lock and secure using the three (3) machine screws provided.



Notes:

- 1) Ensure proper operation by operating the lock. The latch bolt should freely extend and retract.
- 2) The edge pull should eject from the lock housing when the latch bolt is pushed in the retracted position. When pushed back in, the edge pull should "click" back into place and remain retracted.

TITLE:

DIMENSIONS ARE IN INCHES TOLERANCES: FRACTIONAL ± ANGULAR: MACH ± BEND ± TWO PLACE DECIMAL ± THREE PLACE DECIMAL ±	NAME	DATE
	DRAWN	
MATERIAL	CHECKED	
	ENG APPR.	
FINISH	MFG APPR.	
	Q.A.	



PHONE: 1-800-646-6888  
FAX: 1-800-646-8988  
email: info@vonmorris.com  
http: // www.vonmorris.com

**DO NOT SCALE DRAWING**

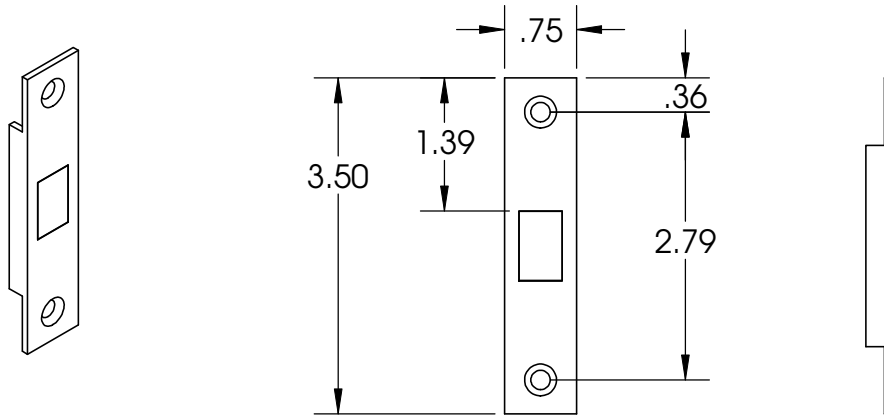
SIZE <b>A</b>	DWG. NO.	REV.
SCALE: 1:24	SHEET 4 OF 7	

**PROPRIETARY AND CONFIDENTIAL**

THE INFORMATION CONTAINED IN THIS DRAWING IS THE SOLE PROPERTY OF **VON MORRIS CORPORATION**. ANY REPRODUCTION IN PART OR AS A WHOLE WITHOUT THE WRITTEN PERMISSION OF **VON MORRIS CORPORATION** IS PROHIBITED.

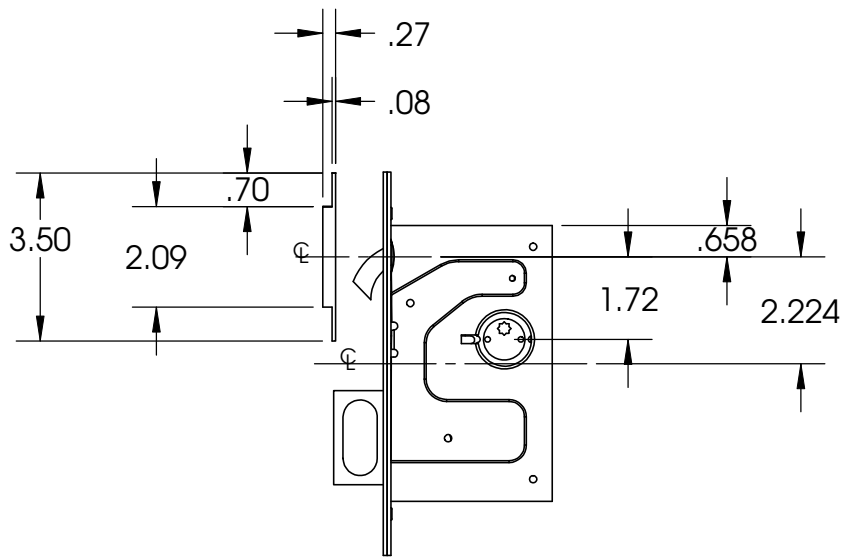
# Traditional Pocket Door Lock Strike Details

Pocket Door lock sets are supplied with a dust proof strike standard, which is detailed below.




92004 Dust Proof Strike

Installation instructions for the strike are detailed below. The centerline of the flap/cutout on the strike should align with the centerline of the cutout for the latch bolt in the 9200 lock housing. Ensure an adequate amount of material in the jamb is removed to allow full projection of the latch bolt. (Note: Gap shown below for illustration purposes only)

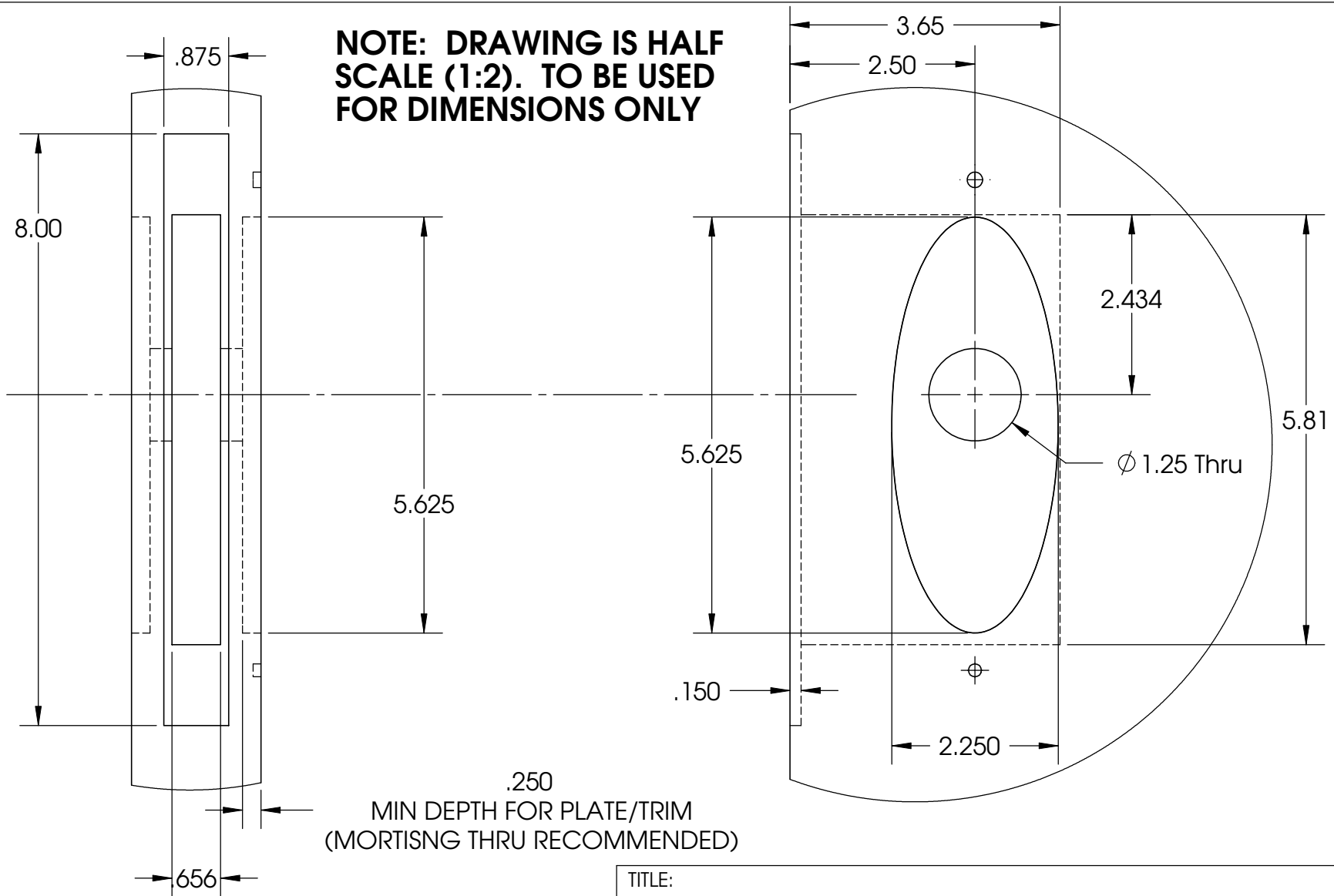


92004 Strike & 9200 Lock details/positioning

**PROPRIETARY AND CONFIDENTIAL**  
 THE INFORMATION CONTAINED IN THIS DRAWING IS THE SOLE PROPERTY OF VON MORRIS CORPORATION. ANY REPRODUCTION IN PART OR AS A WHOLE WITHOUT THE WRITTEN PERMISSION OF VON MORRIS CORPORATION IS PROHIBITED.

TITLE:				 PHONE: 1-800-646-6888 FAX: 1-800-646-8988 email: info@vonmorris.com http: // www.vonmorris.com	
DIMENSIONS ARE IN INCHES TOLERANCES: FRACTIONAL ± ANGULAR: MACH ± BEND ± TWO PLACE DECIMAL ± THREE PLACE DECIMAL ±		NAME	DATE		
MATERIAL	FINISH	DRAWN	CHECKED	SCALE: 1:24 SHEET 5 OF 7	
		ENG APPR.	MFG APPR.		
		Q.A.			

**NOTE: DRAWING IS HALF SCALE (1:2). TO BE USED FOR DIMENSIONS ONLY**



.250  
MIN DEPTH FOR PLATE/TRIM  
(MORTISING THRU RECOMMENDED)

TITLE:

**MORELAND DOOR PREP TEMPLATE**

UNLESS OTHERWISE SPECIFIED:

DIMENSIONS ARE IN INCHES  
TOLERANCES:  
FRACTIONAL ±  
ANGULAR: MACH ± BEND ±  
TWO PLACE DECIMAL ±  
THREE PLACE DECIMAL ±

MATERIAL

FINISH

	NAME	DATE
DRAWN		
CHECKED		
ENG APPR.		
MFG APPR.		
Q.A.		



PHONE: 1-800-646-6888  
FAX: 1-800-646-8988  
email: info@vonmorris.com  
http://www.vonmorris.com

**DO NOT SCALE DRAWING**

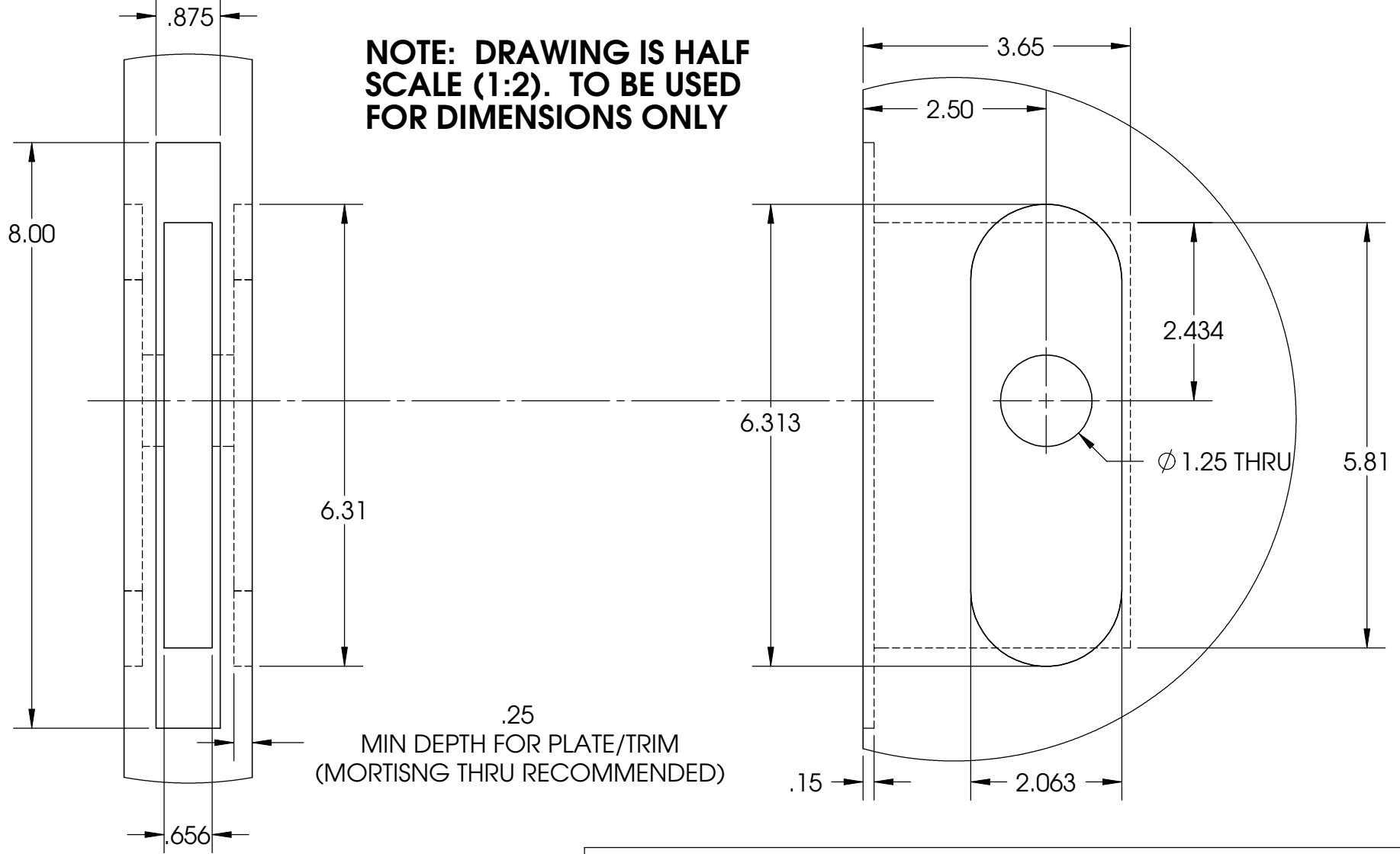
SIZE <b>A</b>	DWG. NO.	REV
------------------	----------	-----

SCALE: 1:16 SHEET 6 OF 7

**PROPRIETARY AND CONFIDENTIAL**

THE INFORMATION CONTAINED IN THIS DRAWING IS THE SOLE PROPERTY OF VON MORRIS CORPORATION. ANY REPRODUCTION IN PART OR AS A WHOLE WITHOUT THE WRITTEN PERMISSION OF VON MORRIS CORPORATION IS PROHIBITED.

**NOTE: DRAWING IS HALF SCALE (1:2). TO BE USED FOR DIMENSIONS ONLY**



**PROPRIETARY AND CONFIDENTIAL**

THE INFORMATION CONTAINED IN THIS DRAWING IS THE SOLE PROPERTY OF VON MORRIS CORPORATION. ANY REPRODUCTION IN PART OR AS A WHOLE WITHOUT THE WRITTEN PERMISSION OF VON MORRIS CORPORATION IS PROHIBITED.

TITLE:

**BRYN MAWR DOOR PREP TEMPLATE**

UNLESS OTHERWISE SPECIFIED:

DIMENSIONS ARE IN INCHES  
 TOLERANCES:  
 FRACTIONAL  $\pm$   
 ANGULAR: MACH  $\pm$  BEND  $\pm$   
 TWO PLACE DECIMAL  $\pm$   
 THREE PLACE DECIMAL  $\pm$

MATERIAL

FINISH

	NAME	DATE
DRAWN		
CHECKED		
ENG APPR.		
MFG APPR.		
Q.A.		



PHONE: 1-800-646-6888  
 FAX: 1-800-646-8988  
 email: info@vonmorris.com  
 http://www.vonmorris.com

**DO NOT SCALE DRAWING**

SIZE	DWG. NO.	REV
<b>A</b>		
SCALE: 1:16		SHEET 7 OF 7