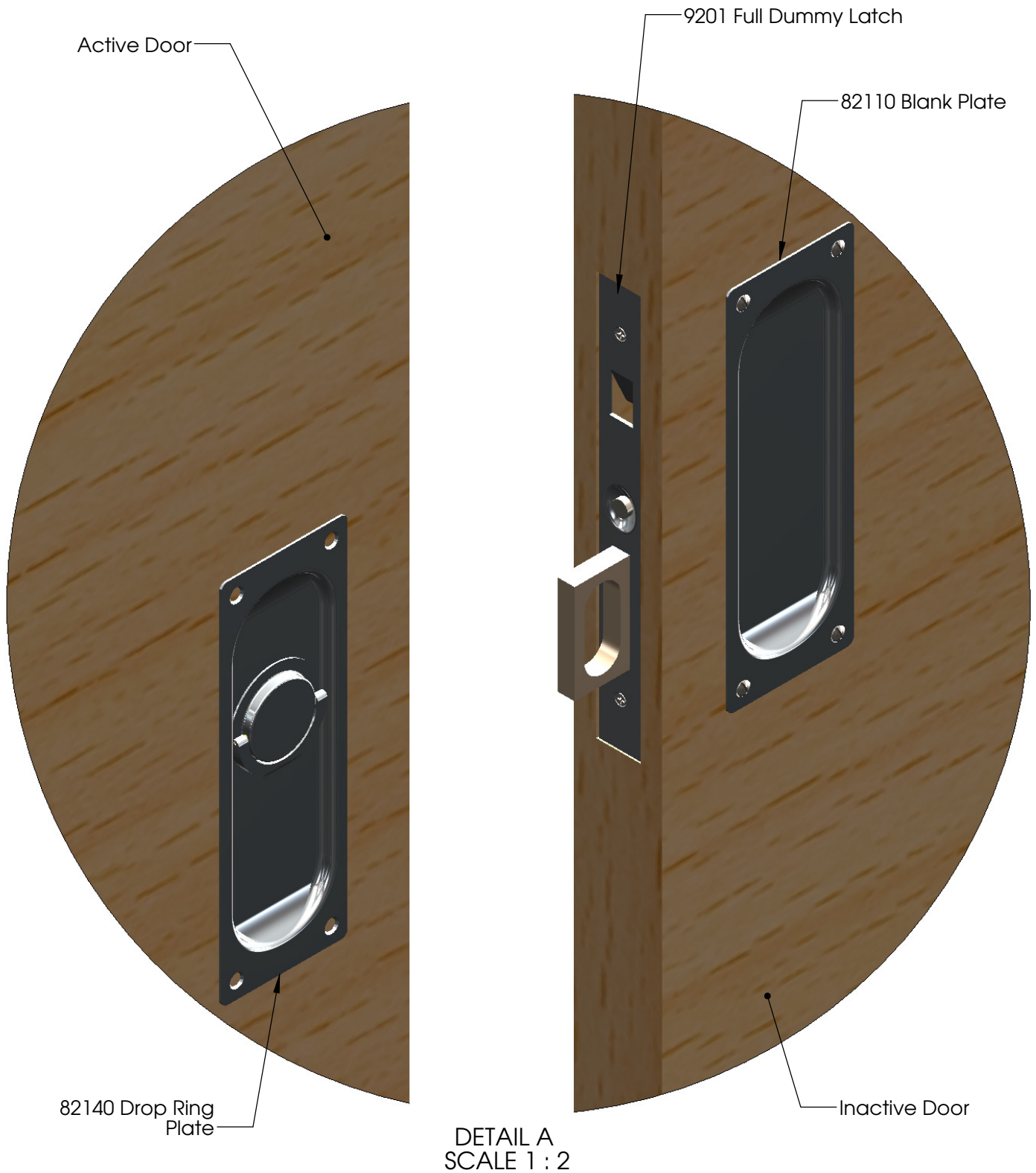


# TYPICAL 9201 FULL DUMMY (NON-LATCHING PASSAGE) APPLICATION



DETAIL A  
SCALE 1 : 2

TITLE:

DIMENSIONS ARE IN INCHES		NAME	DATE
TOLERANCES:		DRAWN	
FRACTIONAL ±		CHECKED	
ANGULAR: MACH ±	BEND ±	ENG APPR.	
TWO PLACE DECIMAL ±		MFG APPR.	
THREE PLACE DECIMAL ±		Q.A.	
MATERIAL			
FINISH			

		PHONE: 1-800-646-6888 FAX: 1-800-646-8988 email: info@vonmorris.com http: // www.vonmorris.com	
		<b>DO NOT SCALE DRAWING</b>	
SIZE	DWG. NO.	REV.	
<b>A</b>			
SCALE: 1:24			SHEET 1 OF 4

**PROPRIETARY AND CONFIDENTIAL**  
 THE INFORMATION CONTAINED IN THIS DRAWING IS THE SOLE PROPERTY OF VON MORRIS CORPORATION. ANY REPRODUCTION IN PART OR AS A WHOLE WITHOUT THE WRITTEN PERMISSION OF VON MORRIS CORPORATION IS PROHIBITED.

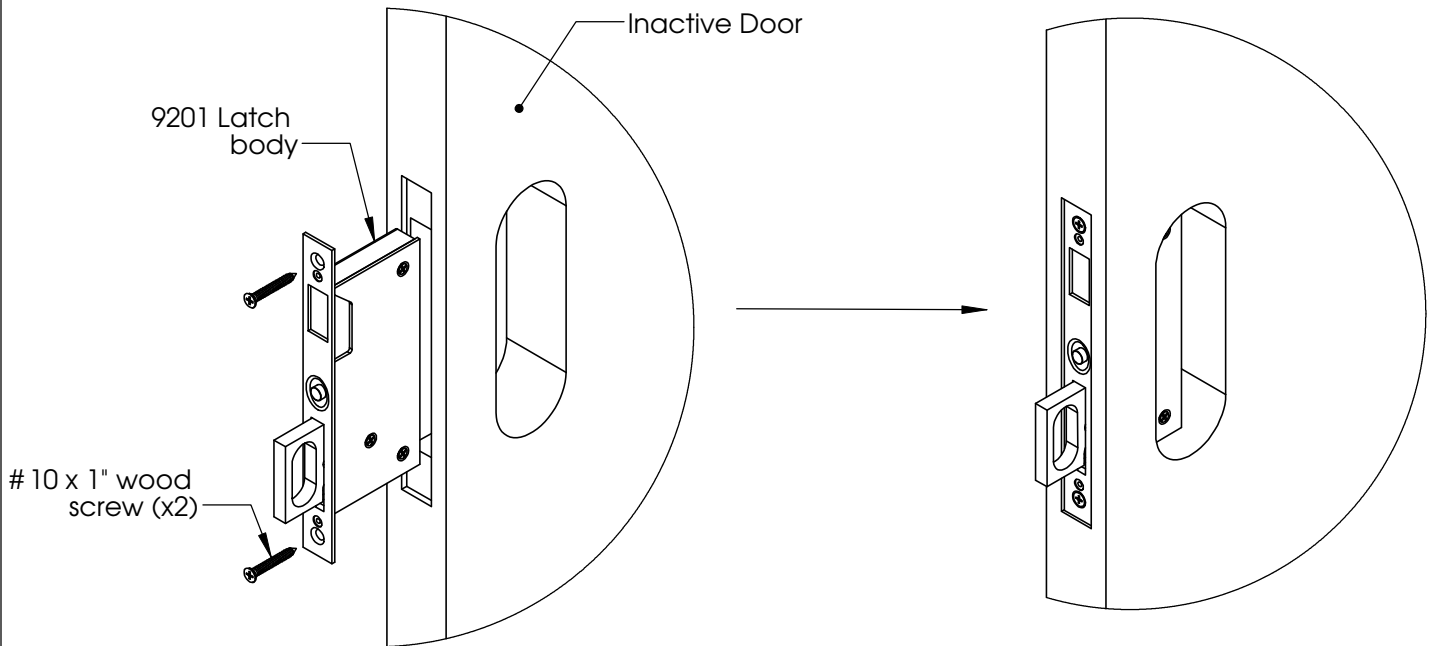
# 9201 Full Dummy (Non-Latching Passage) Latch Installation Guide

1) The 9201 latch is most commonly used in a double pocket door application as shown on the first page and in place of mounting the dust proof strike in the "non-active" door with a separate door pull (9202).

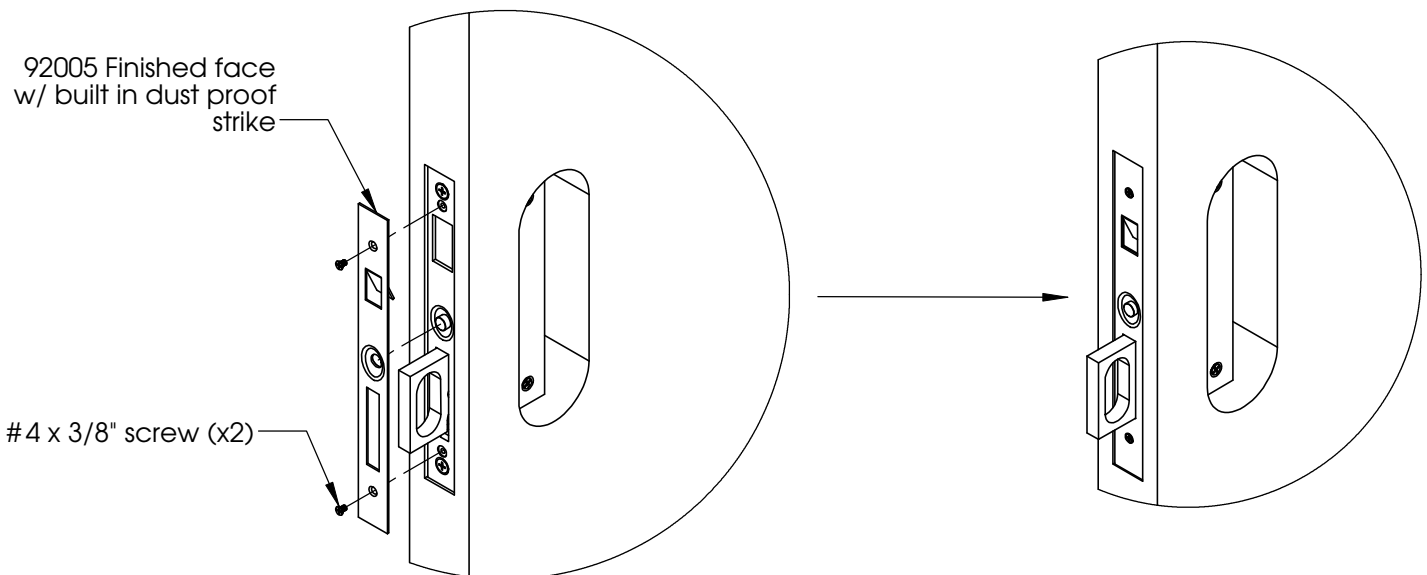
2) Prep the door according to the door prep guide shown on the back page.

NOTE: Both doors can be prepped according to the 9200 PDL door prep guide if two different door preps are not desirable.

3) Install 9201 Pocket Door Latch using the two # 10 screws provided as shown below.



4) Install 92005 finished face plate with built in dust proof strike using the two (2) #4 x 3/8" machine screws provided as shown below.



TITLE:

DIMENSIONS ARE IN INCHES		NAME	DATE
TOLERANCES:		DRAWN	
FRACTIONAL ±		CHECKED	
ANGULAR: MACH ±	BEND ±	ENG APPR.	
TWO PLACE DECIMAL ±		MFG APPR.	
THREE PLACE DECIMAL ±		Q.A.	
MATERIAL			
FINISH			



PHONE: 1-800-646-6888  
 FAX: 1-800-646-8988  
 email: info@vonmorris.com  
 http://www.vonmorris.com

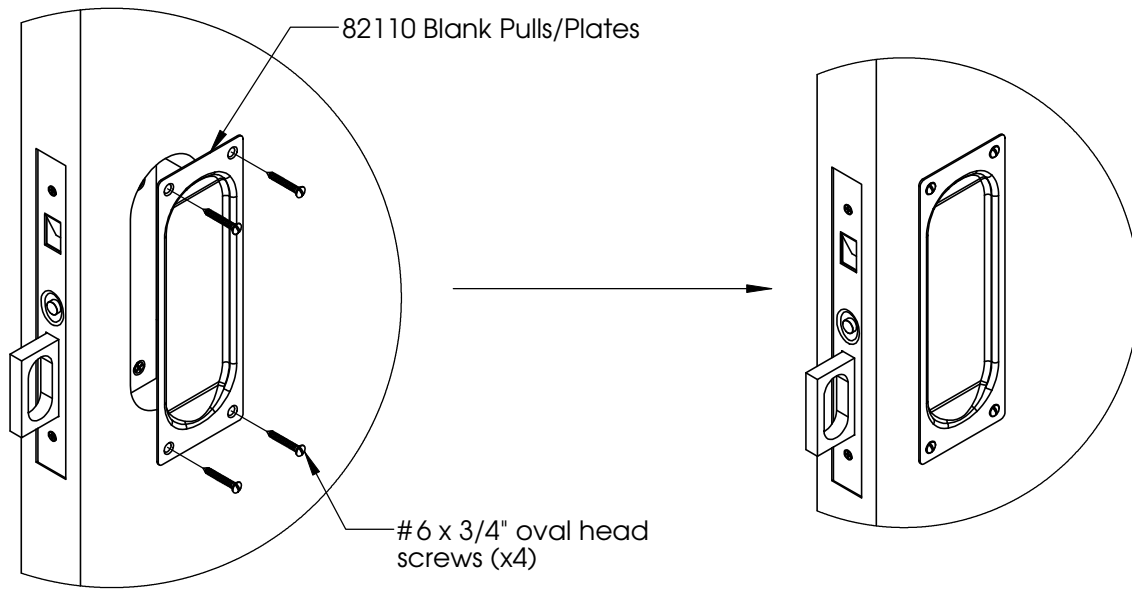
**DO NOT SCALE DRAWING**

SIZE	DWG. NO.	REV.
<b>A</b>		
SCALE: 1:24	SHEET 2 OF 4	

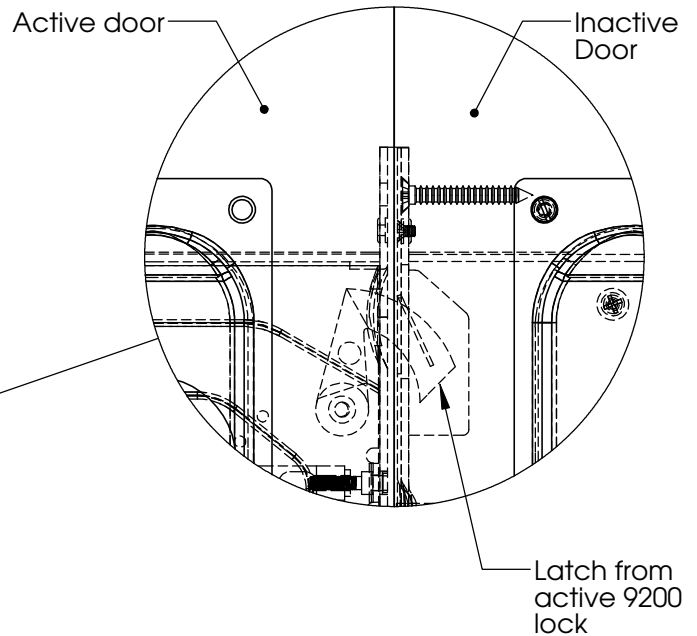
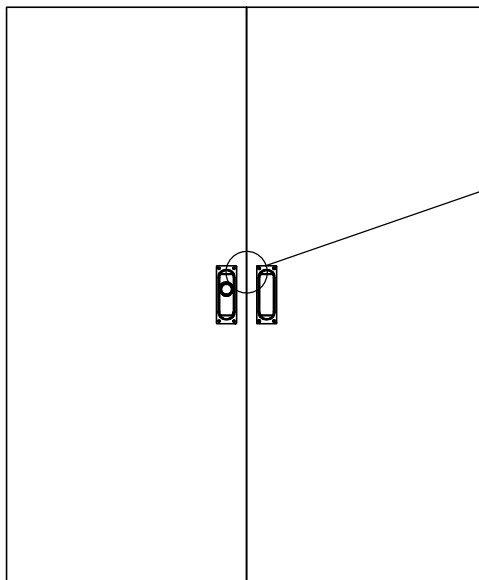
**PROPRIETARY AND CONFIDENTIAL**  
 THE INFORMATION CONTAINED IN THIS DRAWING IS THE SOLE PROPERTY OF VON MORRIS CORPORATION. ANY REPRODUCTION IN PART OR AS A WHOLE WITHOUT THE WRITTEN PERMISSION OF VON MORRIS CORPORATION IS PROHIBITED.


# 9201 Full Dummy (Non-Latching Passage) Latch Installation Guide

5) Install 82110 blank pulls/plates to both sides of the door using the four (4) #6 x 3/4" oval head wood screws provided, as shown below.



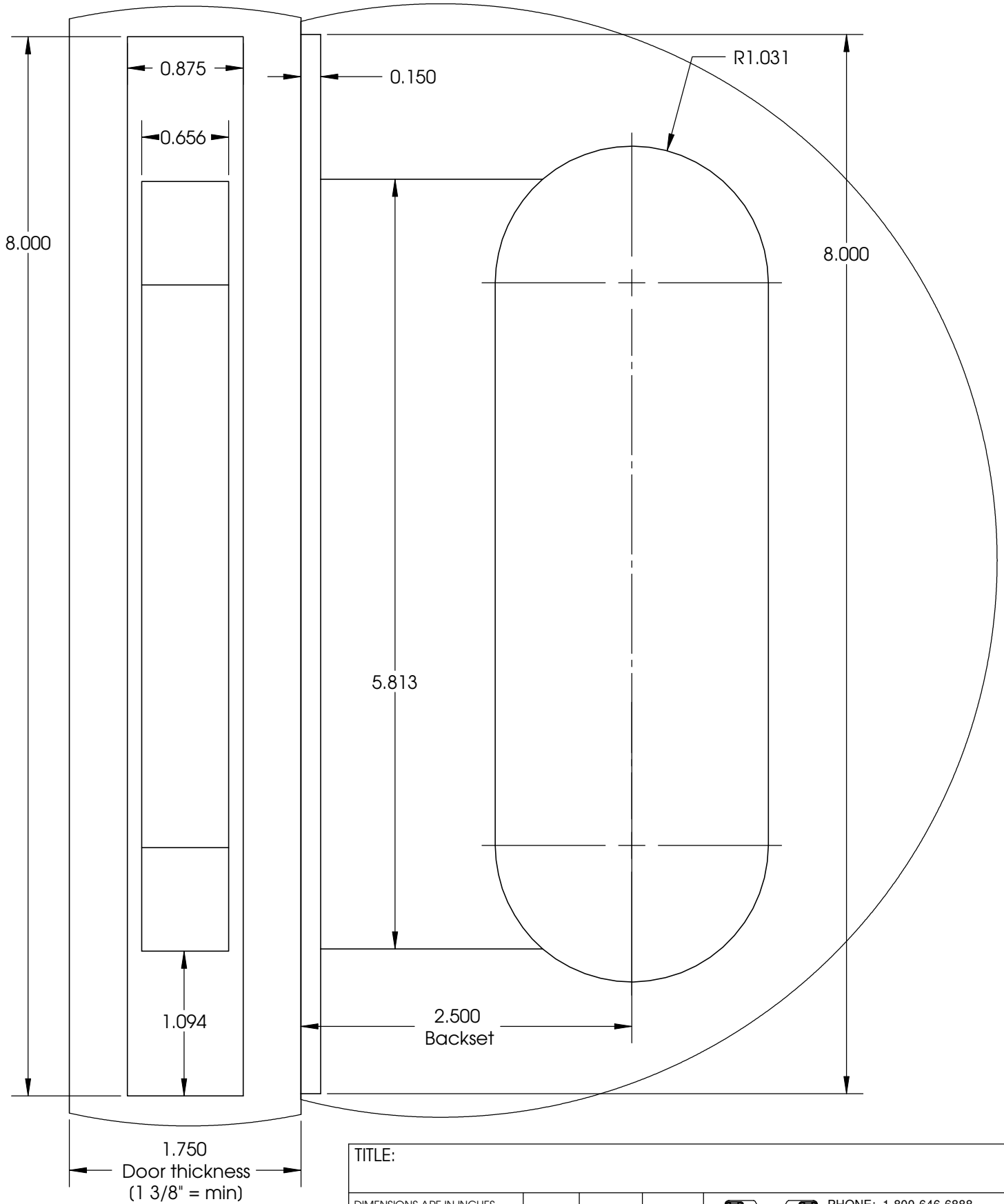
Typical Double Pocket Door Application  
(Viewed from Inside Room)



TITLE:			
DIMENSIONS ARE IN INCHES TOLERANCES: FRACTIONAL ± ANGULAR: MACH ±    BEND ± TWO PLACE DECIMAL ± THREE PLACE DECIMAL ±	NAME	DATE	 PHONE: 1-800-646-6888 FAX: 1-800-646-8988 email: info@vonmorris.com http://www.vonmorris.com
	DRAWN		
MATERIAL	CHECKED		DO NOT SCALE DRAWING
	ENG APPR.		
FINISH	MFG APPR.		SIZE DWG. NO. <b>A</b>
	Q.A.		REV.
SCALE: 1:24		SHEET 3 OF 4	

**PROPRIETARY AND CONFIDENTIAL**  
 THE INFORMATION CONTAINED IN THIS DRAWING IS THE SOLE PROPERTY OF VON MORRIS CORPORATION. ANY REPRODUCTION IN PART OR AS A WHOLE WITHOUT THE WRITTEN PERMISSION OF VON MORRIS CORPORATION IS PROHIBITED.

# 9201 Full Dummy (Non-Latching Passage) Door Prep



**PROPRIETARY AND CONFIDENTIAL**  
 THE INFORMATION CONTAINED IN THIS DRAWING IS THE SOLE PROPERTY OF **VON MORRIS CORPORATION**. ANY REPRODUCTION IN PART OR AS A WHOLE WITHOUT THE WRITTEN PERMISSION OF **VON MORRIS CORPORATION** IS PROHIBITED.

TITLE:

DIMENSIONS ARE IN INCHES		NAME	DATE
TOLERANCES:			
FRACTIONAL ±		DRAWN	
ANGULAR: MACH ±	BEND ±	CHECKED	
TWO PLACE DECIMAL ±		ENG APPR.	
THREE PLACE DECIMAL ±		MFG APPR.	
MATERIAL		Q.A.	
FINISH			


 PHONE: 1-800-646-6888  
 FAX: 1-800-646-8988  
 email: info@vonmorris.com  
 http: // www.vonmorris.com

**DO NOT SCALE DRAWING**

SIZE	DWG. NO.	REV.
<b>A</b>		

SCALE: 1:16 SHEET 4 OF 4