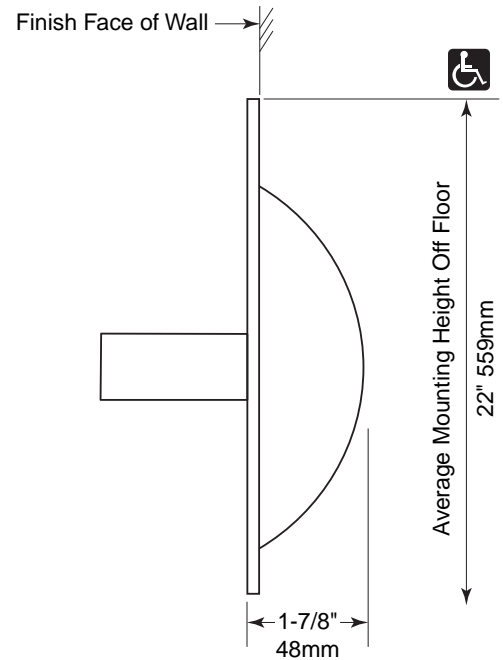
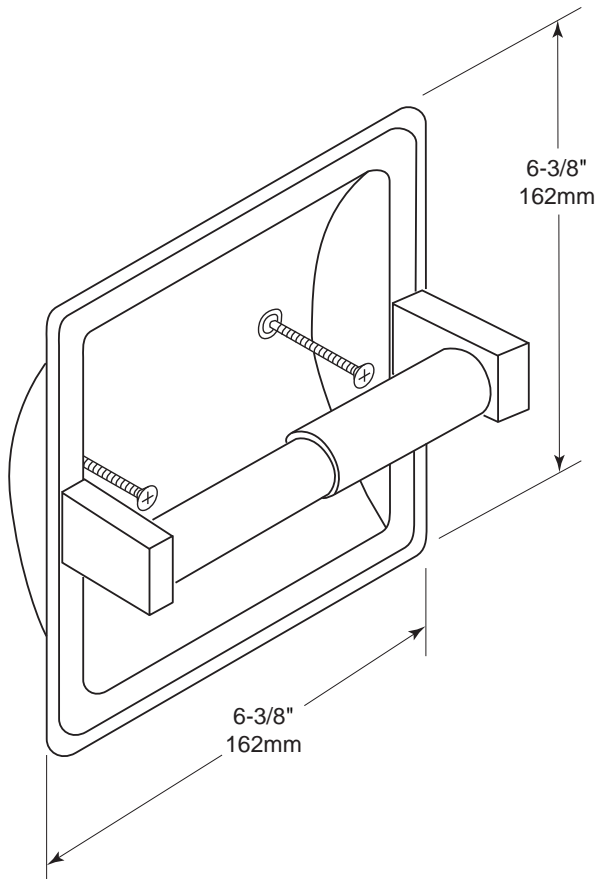


Date:

Project Name:

OPTIONS: *add suffix:*

- SF satin-finish
- FS surface-mounted, 2" (51mm) skirt
- W/Hood hood covering top of toilet tissue roll



Rough Wall Opening
5-1/4" (133mm) Wide
5-1/4" (133mm) High
2-1/2" (63mm) minimum
recessed depth

CONSTRUCTION:

Polished stainless steel. Chrome roller. Mounting screws included.

CAPACITY:

Holds standard core toilet tissue roll up to 5-1/4" (133mm) diameter.

INSTALLATION:

Cut out wall opening 5-1/4" x 5-1/4" x 2" (133 x 133 x 51mm) depth. If wood blocking is available, install recess shell into opening using 2- #8 x 1-1/4" (32mm) flathead stainless steel screws provided. If wood blocking is not available, use optional 430 or 430LS recess wall clamps.

Recessed Toilet Tissue Holder shall be Model 212 of Gamco Commercial Restroom Accessories, A Division of Bobrick, Durant, OK