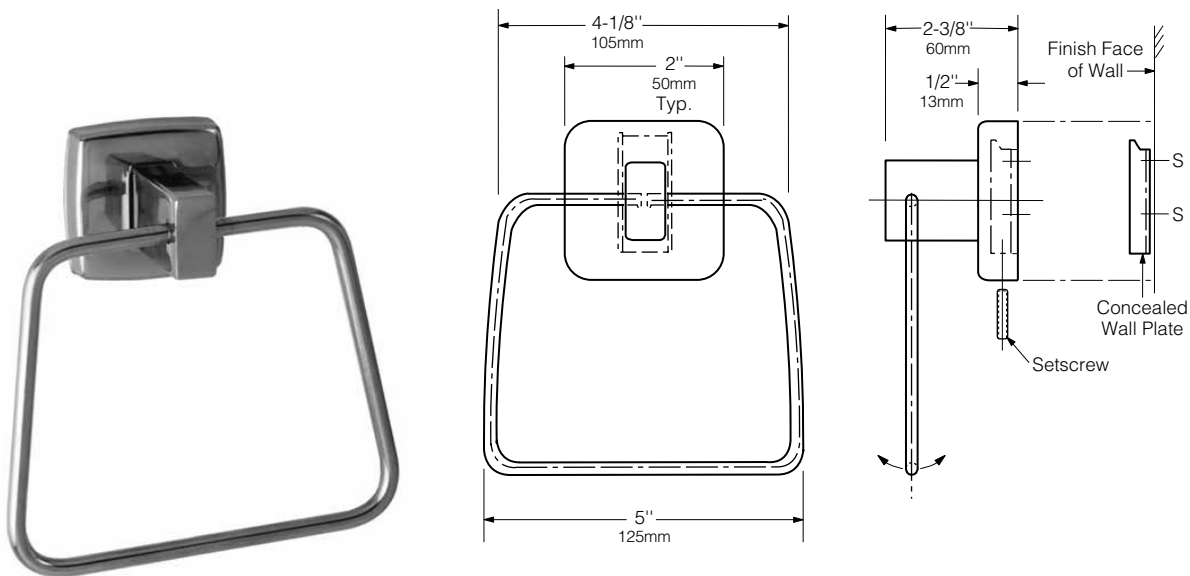


Specify Finish Required: **7678** Bright-Polished Finish Stainless Steel
 76787 Satin-Finish Stainless Steel



MATERIALS:

Flange and Support Arm — 18-8, type-304, 22-gauge (0.8mm) stainless steel. Concealed, 18-gauge (1.2mm) stainless steel mounting bracket. All-welded construction. Secured to wall plate with a stainless steel setscrew.

Concealed Wall Plate — 18-8, type-304, 20-gauge (1.0mm) stainless steel.

Towel Ring — 18-8, type-304 stainless steel. 1/4" (6mm) diameter bar.

INSTALLATION:

To remove concealed wall plate from back of flange and mounting bracket, loosen setscrew. Mount wall plate so prongs are at top; secure with two sheet-metal screws, furnished by manufacturer, at points indicated by an S. Engage mounting bracket onto prongs of wall plate, then secure into position by tightening setscrew at bottom of flange.

For plaster or dry wall construction, provide concealed backing to comply with local building codes, then secure unit with screws furnished. For other wall surfaces, provide fiber plugs or expansion shields for use with screws furnished, or provide 1/8" (3mm) toggle bolts or expansion bolts.

SPECIFICATION:

Surface-mounted towel ring shall be type-304 stainless steel. Flange and support arm shall be 22-gauge (0.8mm) and equipped with a concealed, 18-gauge (1.2mm) mounting bracket that is secured to a concealed, 20-gauge (1.0mm) wall plate with a stainless steel setscrew. Towel ring shall be 1/4" (6mm) diameter bar, stainless steel bar.

Surface-Mounted Towel Ring shall be Model _____ (insert model number) of Gamco Commercial Restroom Accessories, One Gamco Place, Durant, OK, 74701-1910