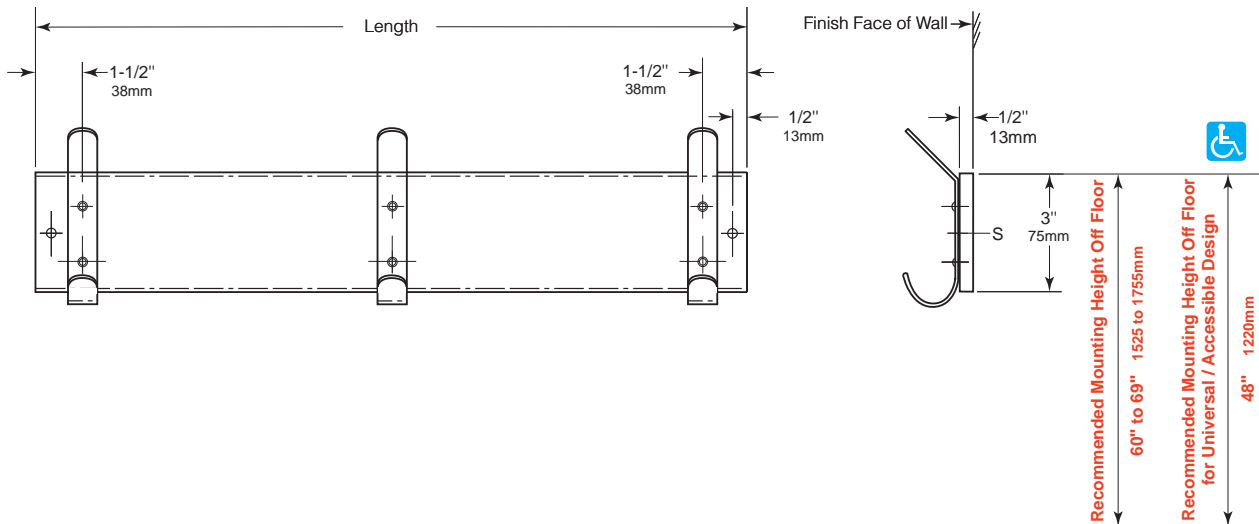


HCS-1 for strip, 24" (610mm), 3 holders  
 HCS-2 for strip, 36" (914mm), 4 holders  
 HCS-3 for strip, 48" (1219mm), 5 holders



**CONSTRUCTION:**

**Hooks** — 18-8, type-304, 12-gauge (2.8mm) stainless steel with satin finish. Each hook attached to mounting strip with two rivets.

**Mounting Strip** — 18-8, type-304, 18-gauge (1.2mm) stainless steel with satin finish.

**INSTALLATION:**

Mount unit on wall with screws (not furnished by manufacturer). For plaster or dry wall construction, provide concealed backing to comply with local building codes, then secure unit with screws. For other wall surfaces, provide fiber plugs or expansion shields for use with screws or provide 1/8" (3mm) toggle bolts or expansion bolts.

Hat and Coat Strip shall be Model \_\_\_\_\_ (insert model number) of Gamco Commercial Restroom Accessories, One Gamco Place, Durant, OK, 74701-1910