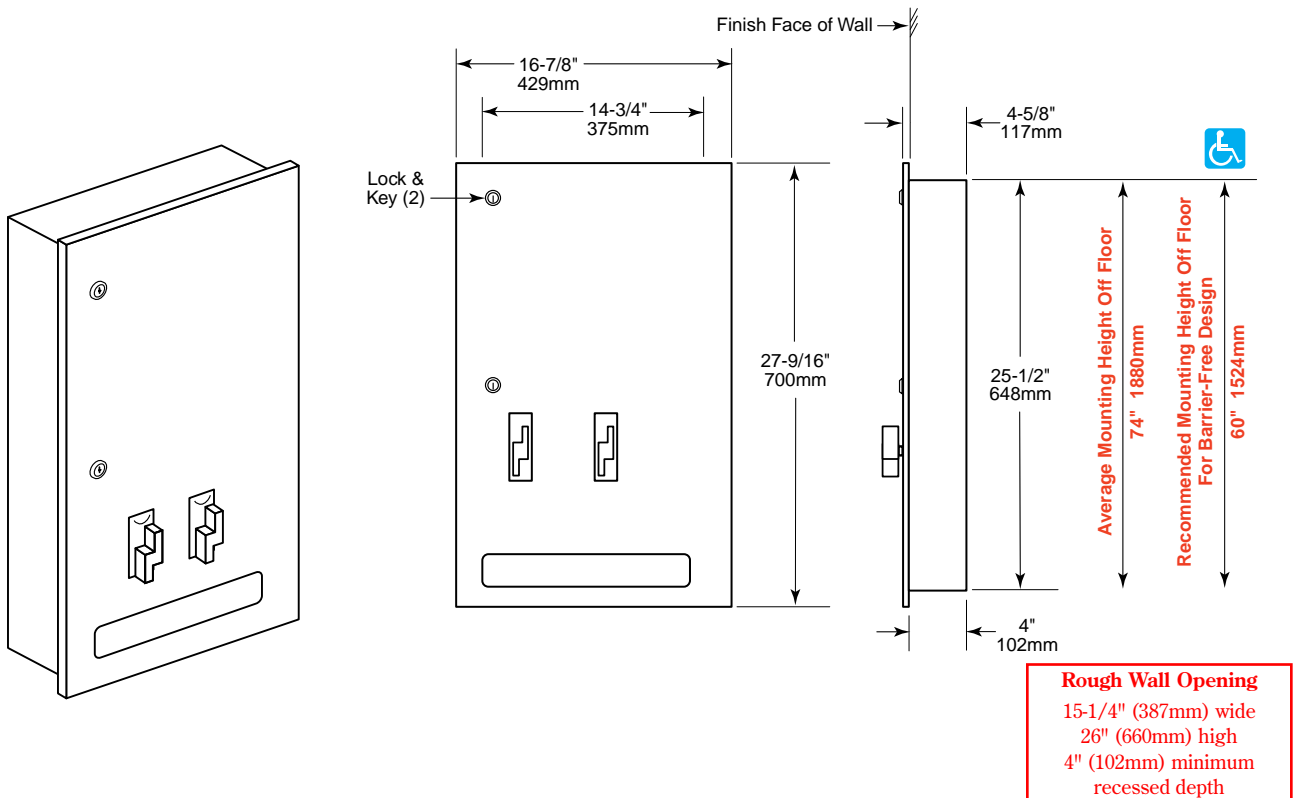


Date:

Project Name:

NV-2-4FS 4" (102mm) skirt for surface-mounting



CONSTRUCTION:

Cabinet and door fabricated of type 304 stainless steel. All welded construction with exposed surfaces having a #4 satin-finish. EXTRA HEAVY 18-gauge (1.2mm) door, warp free, hung on continuous stainless steel piano hinge, and fitted with two tumbler locks. Coin box fitted with tumbler lock keyed differently from door. Coin mechanisms available for 25¢ operation. All welded construction. Capacity of 15 napkins and 27 tampons.

INSTALLATION:

Provide framed wall opening. Recessed depth required from finish face of wall is 4" (102mm). Check plans and coordinate with mechanical engineer to avoid protrusion from opposite wall, pipes, conduits, electrical wiring etc. If installing in plaster wall, recommend grounding. If installing where unit projects above top of wainscot, provide filler to prevent gap from finished wall and flange of unit. If installing in block walls, use metal expansion shields. 1/8" (3mm) gap recommended between units for door clearance.

OVERALL DIMENSIONS:

16-7/8" W x 27-9/16" H x 4-5/8" D (429 x 700 x 117mm)

ADA GUIDE:

Hinged panels covering waste receptacle openings should not require more than 5 pounds of force to open. Units should not project more than 4" (102mm) from the wall. Operable with one hand and without tight grasping, pinching, or twisting of the wrist. Activation of lever should not require more than 5 pounds of force when unit is completely filled.

Recessed Coverall Napkin-Tampon Vendor shall be Model NV-2-4 of Gamco Commercial Restroom Accessories, One Gamco Place, Durant, OK, 74701-1910