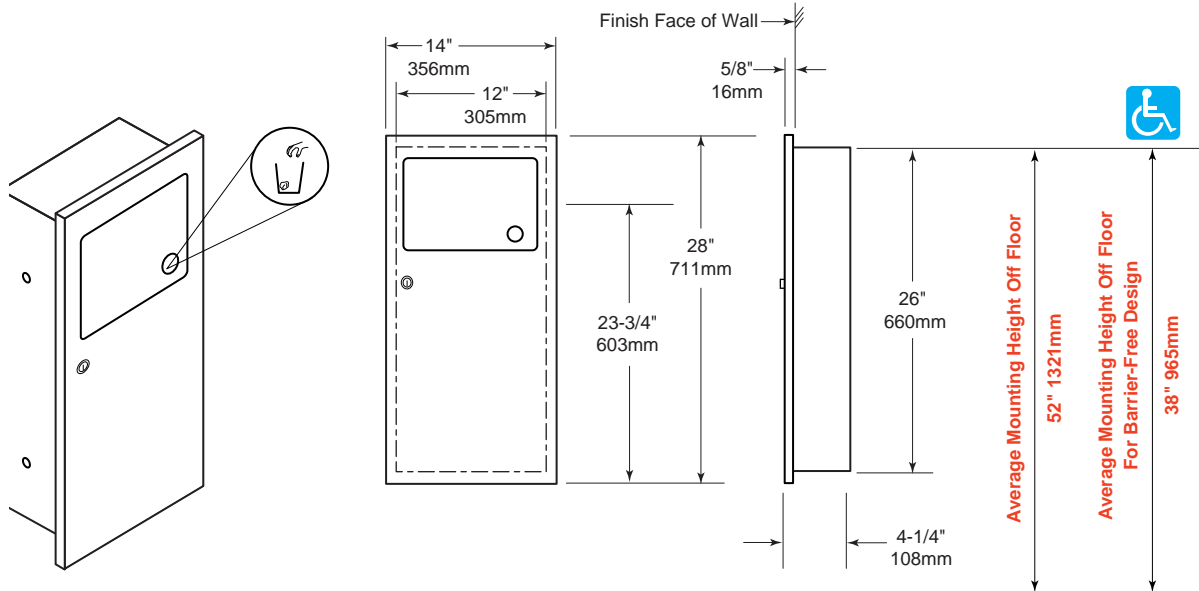


Date:

Project Name:



**Rough Wall Opening**  
12-1/2" (318mm) Wide  
26-1/2" (675mm) High  
3-3/4" (95mm) minimum  
recessed depth

**CONSTRUCTION:**

Unit fabricated of type 304 stainless steel. All welded construction with exposed surfaces having a #4 satin-finish. One piece seamless door construction, EXTRA HEAVY 18-gauge (1.2mm) with 5/8" (16mm) return for rigidity. Door is mounted to cabinet with continuous stainless steel piano hinge and fitted with tumbler lock. Self closing push door mounted on continuous stainless steel piano hinge. Stainless steel inner container capacity 3-gallons (11.3-L). All welded construction.

**INSTALLATION:**

Provide framed wall opening of 12-1/2" W x 26-1/2" H (318 x 675mm). Recessed depth required from finish face of wall is 3-3/4" (95mm) deep. Check plans and coordinate with mechanical engineers to avoid protrusion from opposite wall, pipes, conduits, electrical wires, etc. If installing in plaster wall, recommend grounding. If installing where unit projects above top of wainscot, provide filler to prevent gap from finished wall and flange of unit. If installing in block walls, use metal expansion shields.

**ADA GUIDE:**

Hinged panels covering waste receptacle openings should not require more than 5 pounds of force to open. Units should not project more than 4" (102mm) from the wall. Operable with one hand and without tight grasping, pinching, or twisting of the wrist.

**Recessed Coverall Waste Receptacle shall be Model WR-9 of Gamco Commercial Restroom Accessories, One Gamco Place, Durant, OK, 74701-1910**