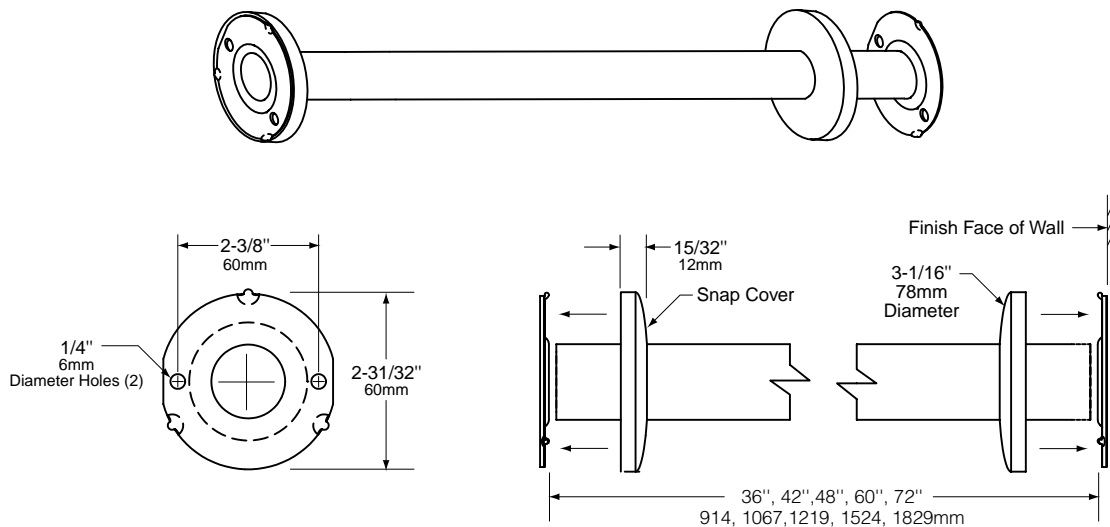


Date:

Project Name:

SR100C for 1" (25mm) stainless steel tubing with satin-finish
SR125C for 1-1/4" (32mm) stainless steel tubing with satin-finish

**High Polished stainless steel rods and flanges available,
call factory for availability and pricing**



MATERIALS:

Curtain Rod - 18-gauge (1.2mm) type 304 stainless steel tubing. Special lengths available up to 96" (2438mm).

Cover - 20-gauge (1mm) type 304 stainless steel with satin-finish. One piece formed flange.

Wall Bracket - 14-gauge (2mm) type 304 stainless steel. One piece formed bracket.

INSTALLATION:

Slide covers onto curtain rod. Position wall brackets against wall and secure with #10 x 2" (4.8 x 50mm) Phillips oval head, stainless steel, sheet metal screws and plastic wall anchors, provided by Gamco. Position rod, with covers, between the wall brackets, slide the covers towards wall brackets and snap onto wall brackets. Recommend backing behind all mounting surfaces. For plaster or drywall construction, provide backing to comply with local building codes. For other wall surfaces, use expansion shields with sheet metal screws provided, or provide 1/8" (3mm) toggle bolts or expansion bolts.

Concealed Shower Rod shall be Model _____ (insert model number) of Gamco Commercial Restroom Accessories, A Division of Bobrick, One Gamco Place, Durant, OK