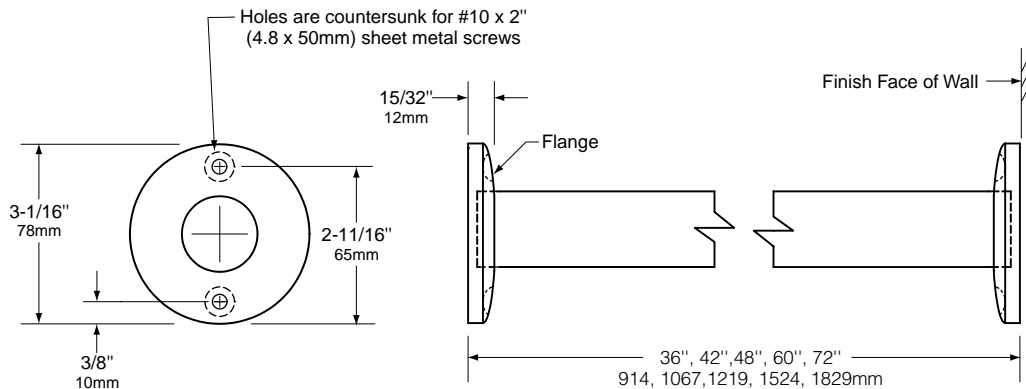
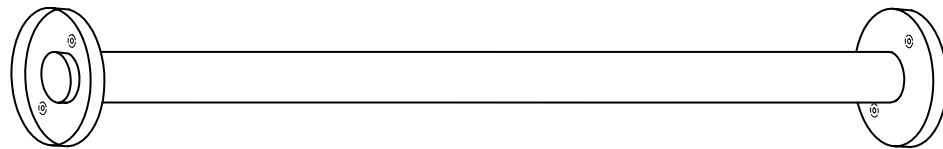


Date:

Project Name:

SR100E for 1" (25mm) stainless steel tubing with satin-finish
SR125E for 1-1/4" (32mm) stainless steel tubing with satin-finish

**High Polished stainless steel rods and flanges available,
call factory for availability and pricing**



STANDARD LENGTHS:

36", 42", 48", 60", 72" (914, 1067, 1219, 1524, 1829mm)

MATERIALS:

Curtain Rod - 18-gauge (1.2mm) type 304 stainless steel tubing. Special lengths available up to 96" (2438mm).

Flanges - 20-gauge (.90mm) type 304 stainless steel with satin-finish. One pieced, formed flange

INSTALLATION:

Slide flanges onto curtain rod. Position flanges against wall and secure with #10 x 2" (4.8 x 50mm) Phillips oval head, stainless steel, sheet metal screws and plastic wall anchors, provided by Gamco. Recommend backing behind all mounting surfaces. For plaster or drywall construction, provide backing to comply with local building codes. For other wall surfaces, use expansion shields with sheet metal screws provided, or provide 1/8" (3mm) toggle bolts or expansion bolts.

Extra Heavy-Duty Shower Rod shall be Model _____ (insert model number) of Gamco Commercial Restroom Accessories, A Division of Bobrick, One Gamco Place, Durant, OK