



The 1500 Series is also available in a Complete One Box Solution

1500 Series

The heavy duty, low profile solution for latchbolts

Shown with 1KM faceplate

The HES 1500 Series electric strike accommodates latchbolts in every brand of cylindrical or mortise lock designed to work with a 4-7/8" strike plate.

The HES 1500 and 1600 Series Electric Strikes set a new standard in the industry by offering dynamic integrated adjustability and field configurable options compatible with any cylindrical or mortise lock. The modular design of the platform makes stocking and installing easier with interchangeable faceplates and accessories. For the first time, the aesthetics of an electric strike are complementary to other surrounding door hardware and blend in with the opening due to the fully finished design, available in seven finishes.

Specifications

- UL 10C fire-rated, 3 hour single door (fail secure only)
- UL 10C fire-rated, 1-1/2 hour double door
- CAN/ULC-S104 fire door conformant
- ANSI/SDI A250.13 windstorm resistant
- ANSI-ASTM E330
- Florida Building Code approved TAS 201, 202, 203
- UL 1034 burglary-resistant listed and suitable for outdoor use
- UL 294 (6th Edition) listed
- ANSI/BHMA A156.31, Grade 1
- California State Fire Marshal listed

- NFPA-252 fire door conformant
- ASTM-E152 fire door conformant
- RoHS compliant
- Patent pending
- PoE friendly

Frame Application

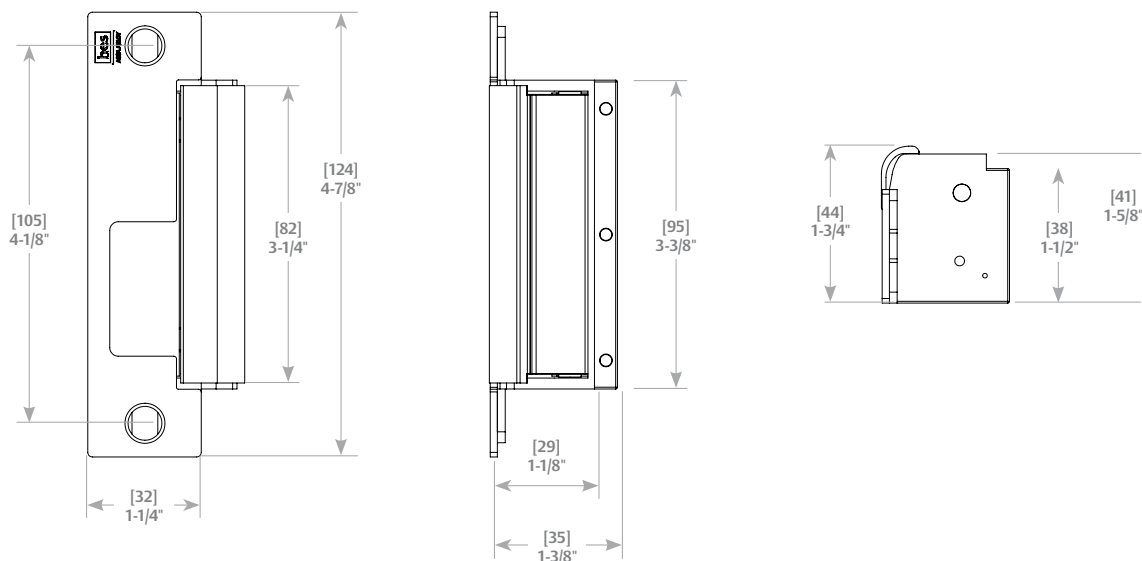
- Metal
- Wood

Electrical (continuous duty)

- DC continuous duty, AC intermittent duty
- 0.24 Amps at 12VDC/VAC
- 0.12 Amps at 24VDC/VAC

1500 Models

| | | |
|-------|---------------------------|---|
| 1500 | Universal electric strike | Faceplate option kits ordered separately |
| 1500C | Complete electric strike | Includes 1Lb faceplate kit for latchbolts |



Standard Features

- Stainless steel construction
- Tamper-resistant
- Dual-voltage 12/24 VDC continuous duty
- Static strength 1,500 lbs
- Dynamic strength 70 ft-lbs
- Endurance 1,000,000 cycles
- Field selectable fail safe/fail secure
- Non-handed
- Interchangeable faceplates and accessories
- Field replaceable components
- Fully finished faceplate, keeper, case and trim
- Field adjustable integrated shim
- ElectroLynx® connectors
- 5 year limited warranty

Optional Features

- **LM** » Lock monitor
- **DLM** » Dual lock monitors
- **LMS** » Lock monitor and strike monitor
- **DLMS** » Dual lock monitors and strike monitor

Accessories

- **157** » Torx screws
- **HES-CUT-MTK** » Metal template kit
- **1500-104-xxx** » Lip extension trim adapter (finish to match)
- **1500-106-xxx** » 4500 adapter and trim enhancer kit (finish to match)
- **OPT-1SRK** » Spring replacement kit
- **OPT-1LM** » Single lock monitor
- **OPT-1DLM** » Dual lock monitors
- **MOD-1SOL** » Solenoid replacement module

Finishes

- **605** » Bright brass
- **606** » Satin brass
- **612** » Satin bronze
- **613E** » Dark oxidized satin bronze
- **629** » Bright stainless steel
- **630** » Satin stainless steel
- **BSP** » Black suede



CYLINDRICAL LOCKSETS



MORTISE LOCKS WITHOUT DEADBOLTS



SPECIALTY LOCKSETS



WINDSTORM



FIELD SELECTABLE (FAIL SECURE / FAIL SAFE)



FIELD SELECTABLE (12 OR 24VDC)



FIRE RATED



GRADE 1



OUTDOOR RATED



UL 1034 BURGLARY LISTED



POE FRIENDLY

hes
ASSA ABLOY



The 1600 Series is also available in a Complete One Box Solution

1600 Series

The dynamic, low profile solution for latchbolts and deadbolts

Shown with 1N faceplate

The HES 1600 Series electric strike accommodates up to a 1" deadbolt with enhanced vertical cavity spacing and will accommodate every brand of cylindrical or mortise lock designed to work with a 4-7/8" strike plate.

The HES 1500 and 1600 Series Electric Strikes set a new standard in the industry by offering dynamic integrated adjustability and field configurable options compatible with any cylindrical or mortise lock. The modular design of the platform makes stocking and installing easier with interchangeable faceplates and accessories. For the first time, the aesthetics of an electric strike are complementary to other surrounding door hardware and blend in with the opening due to the fully finished design, available in seven finishes.

Specifications

- UL 10C fire-rated, 3 hour single door (fail secure only)
- UL 10C fire-rated, 1-1/2 hour double door
- CAN/ULC-S104 fire door conformant
- ANSI/SDI A250.13 windstorm resistant
- ANSI-ASTM E330
- Florida Building Code approved TAS 201, 202, 203
- UL 1034 burglary-resistant listed and suitable for outdoor use
- UL 294 (6th Edition) listed
- ANSI/BHMA A156.31, Grade 1

- California State Fire Marshal listed
- NFPA-252 fire door conformant
- ASTM-E152 fire door conformant
- RoHS compliant
- Patent pending
- PoE friendly

Frame Application

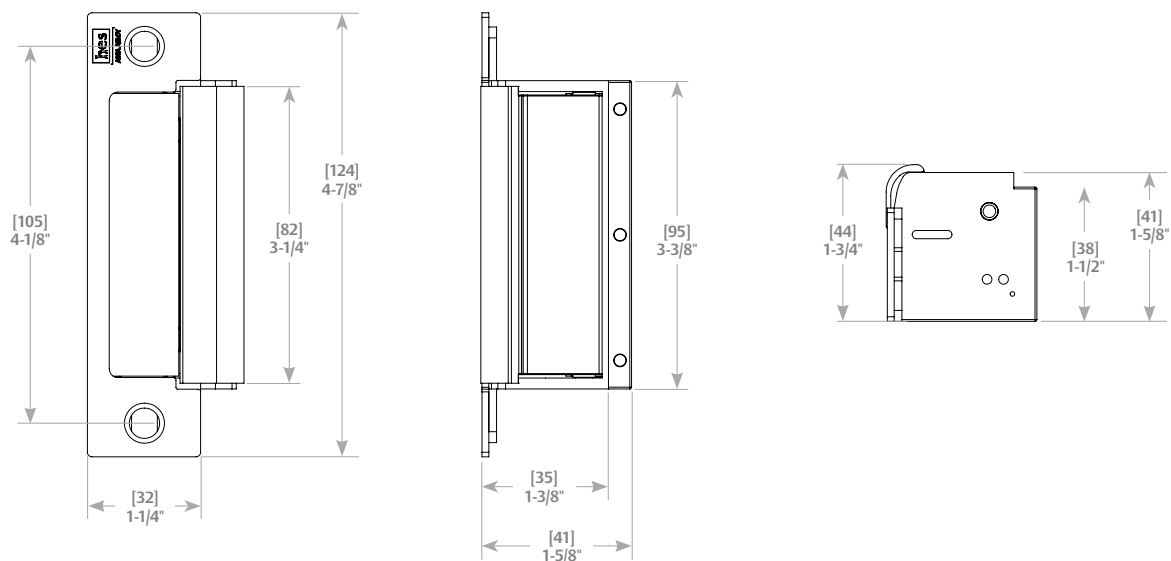
- Metal
- Wood

Electrical (continuous duty)

- DC continuous duty, AC intermittent duty
- 0.24 Amps at 12VDC/VAC
- 0.12 Amps at 24VDC/VAC

1600 Models

| | | |
|----------------|---------------------------|---|
| 1600 | Universal electric strike | Faceplate option kits ordered separately |
| 1600CS | Complete electric strike | Includes the 1LB faceplate kit for latchbolts and 1DB faceplate kit for deadbolts |
| 1600CLB | Complete electric strike | Includes the 1LB faceplate kit for latchbolts |
| 1600CDB | Complete electric strike | Includes the 1DB faceplate kit for deadbolts |



Standard Features

- Stainless steel construction
- Tamper-resistant
- Dual-voltage 12/24 VDC continuous duty
- Static strength 1,500 lbs
- Dynamic strength 70 ft-lbs
- Endurance 1,000,000 cycles
- Field selectable fail safe/fail secure
- Non-handed
- Interchangeable faceplates and accessories
- Field replaceable components
- Fully finished faceplate, keeper, case and trim
- Field adjustable integrated shim
- ElectroLynx® connectors
- 5 year limited warranty

Optional Features

- **LM** » Lock monitor
- **DLM** » Dual lock monitors
- **LMS** » Lock monitor and strike monitor
- **DLMS** » Dual lock monitors and strike monitor

Accessories

- **157** » Torx screws
- **HES-CUT-MTK** » Metal template kit
- **1600-104-xxx** » Lip extension trim adapter (finish to match)
- **1600-106-xxx** » 1006 adapter and trim enhancer kit (finish to match)
- **OPT-1SRK** » Spring replacement kit
- **OPT-1LM** » Single lock monitor
- **OPT-1DLM** » Dual lock monitors
- **MOD-1SOL** » Solenoid replacement module

Finishes

- **605** » Bright brass
- **606** » Satin brass
- **612** » Satin bronze
- **613E** » Dark oxidized satin bronze
- **629** » Bright stainless steel
- **630** » Satin stainless steel
- **BSP** » Black suede

