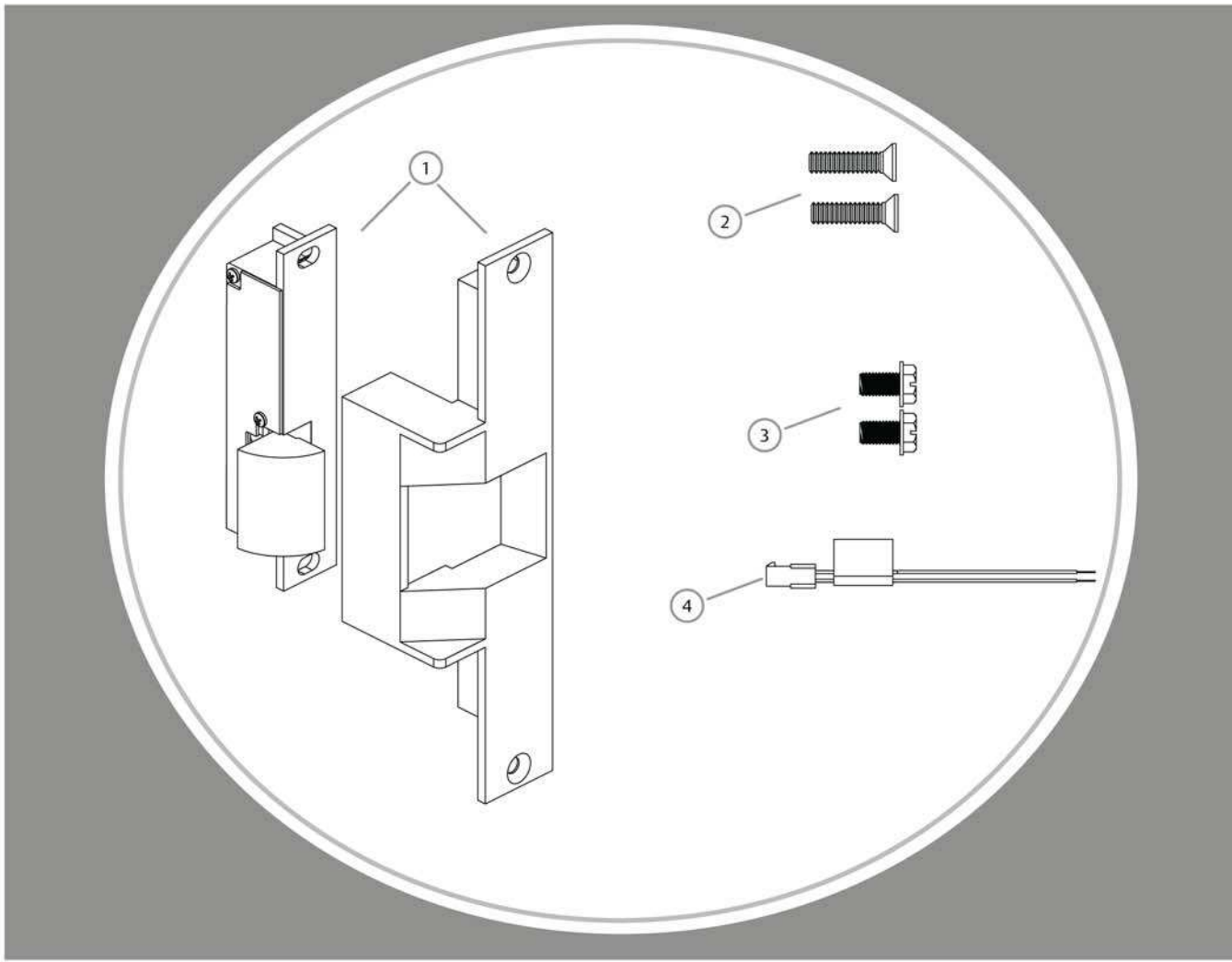


# Product Components

- ① 300 Series Electric Strike Body & Faceplate
- ② #12-24 x 1/2" Faceplate Mounting Screws
- ③ #12-24 x 3/8" Body Mounting Screws
- ④ Plug In Connector



## Electrical Specifications

ELECTRICAL RATINGS FOR SOLENOID		
CONTINUOUS DUTY	12VDC	24VDC
Resistance in Ohms	23.5	96
Amps	.51	.25
Solenoids are rated at +/- 10% indicated value.		

MINIMUM WIRE GAUGE REQUIREMENTS		
SOLENOID VOLTAGE	12VDC	24VDC
200 feet or less	18 gauge	18 gauge
200 - 300 feet	16 gauge	18 gauge
300 - 400 feet	14 gauge	16 gauge

# Installation Directions

**CAUTION!** Before connecting any device at the installation site, verify input voltage using a multimeter. Many power supplies and low voltage transformers operate at higher levels than listed. Any input voltage exceeding 10% of the solenoid rating may cause severe damage to the unit and will void the warranty.

## Prepare Strike

1. Attach the faceplate to the strike body using the #12-24 x 3/8" Body Mounting screws as illustrated on page 3, Diagram 2.
2. If using the LCBMA (Latchbolt & Locking Cam Monitor), see Diagram 1 for wiring instructions.
3. The strike body ships as either a 12 or 24 volt unit and is not field selectable. Verify the available voltage is +/- 10% of the rated voltage of the strike body.

## Prepare Frame

4. If using a mortise lockset, calculate offset using Diagram 3 on page 3.
5. Prepare frame using the template for your strike located on pages 4-6.

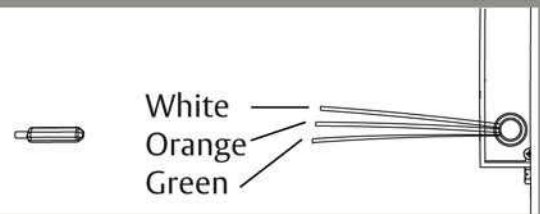
## Finish Installing

6. Connect the Plug In Connector to the electric strike, and connect wires from the Plug In Connector leads to the power source.
7. Install the electric strike unit in jamb cutout, using the #12-24 x 1/2" faceplate mounting screws provided.

### Diagram 1: Monitoring Switches

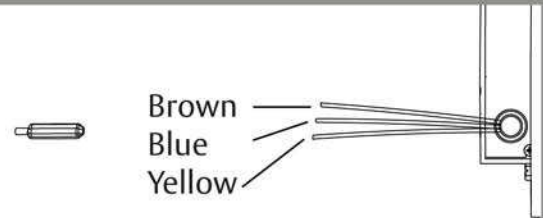
#### Latchbolt Monitor (LBM)

White	Common
Orange	Normally Open
Green	Normally Closed

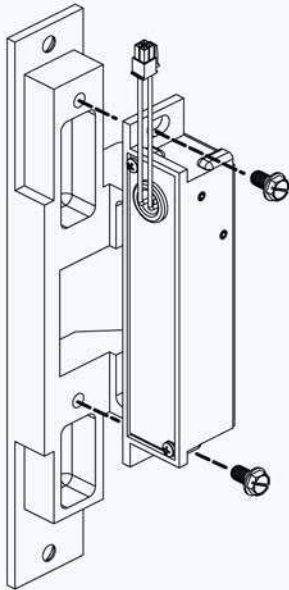


#### Locking Cam Monitor (LCM)

Brown	Common
Blue	Normally Open
Yellow	Normally Closed



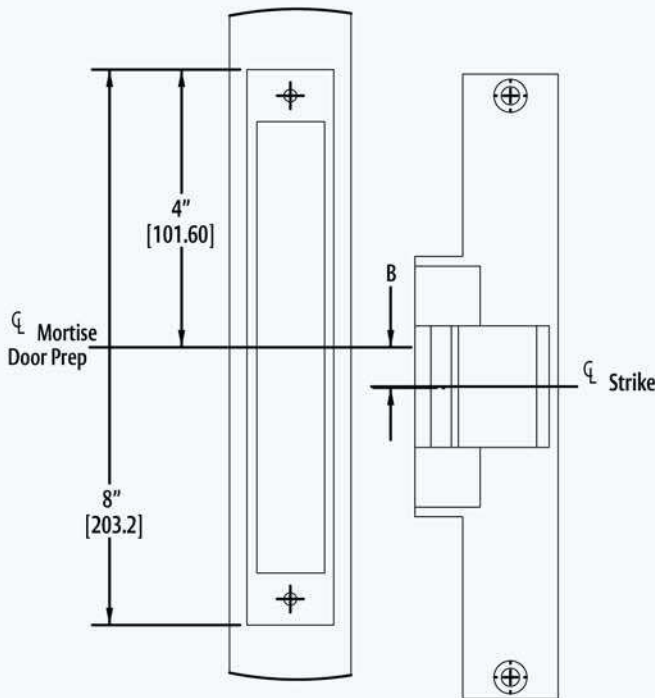
## Diagram 2: Faceplate Attachment



To install the 310 series electric strike body to the faceplate, install two #12-24 body mounting screws as shown. Make sure bolts are tightened and secured.

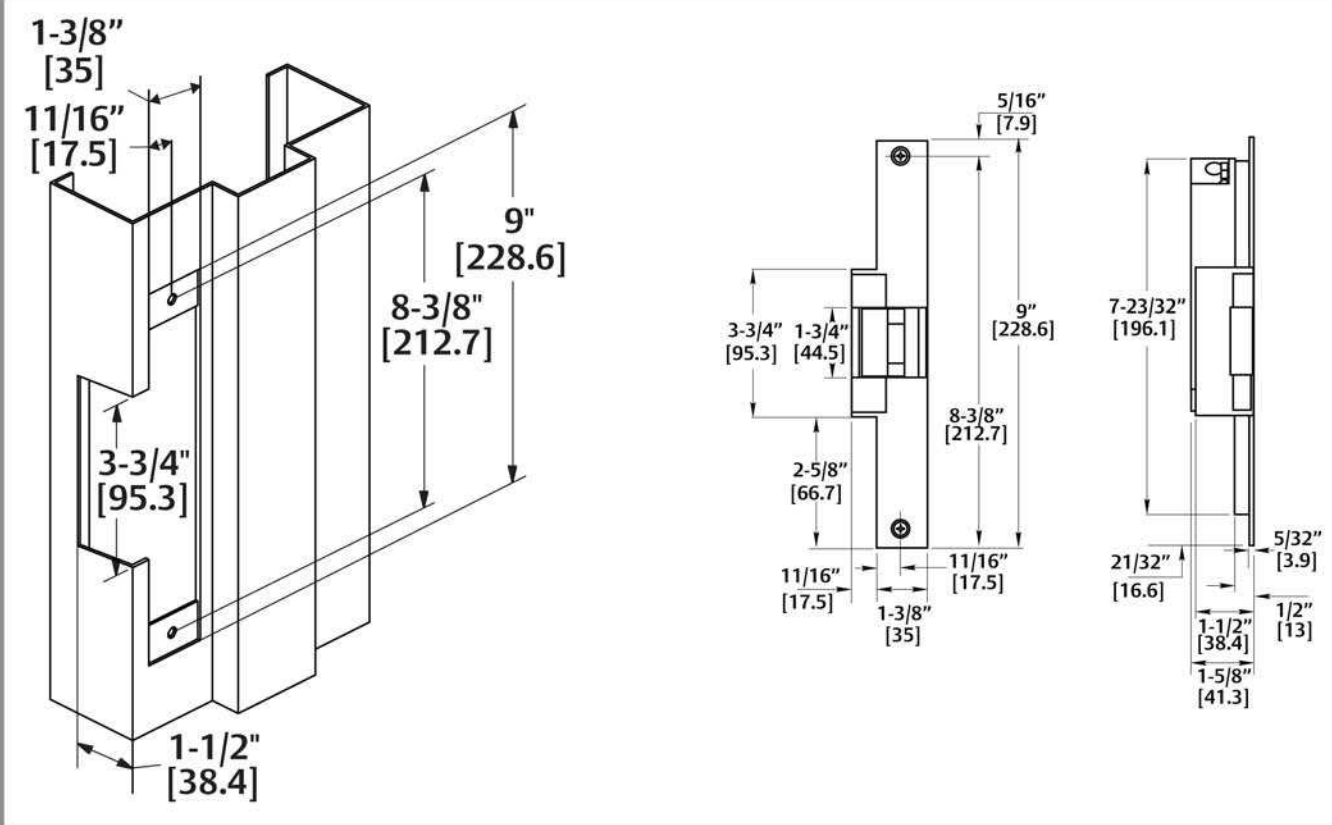
Keeper position can be adjusted by loosening the #12-24 body mounting screws, and repositioning the strike body as needed. Retighten body mounting screws after adjustment is made

## Diagram 3: Determining Mortise Offset

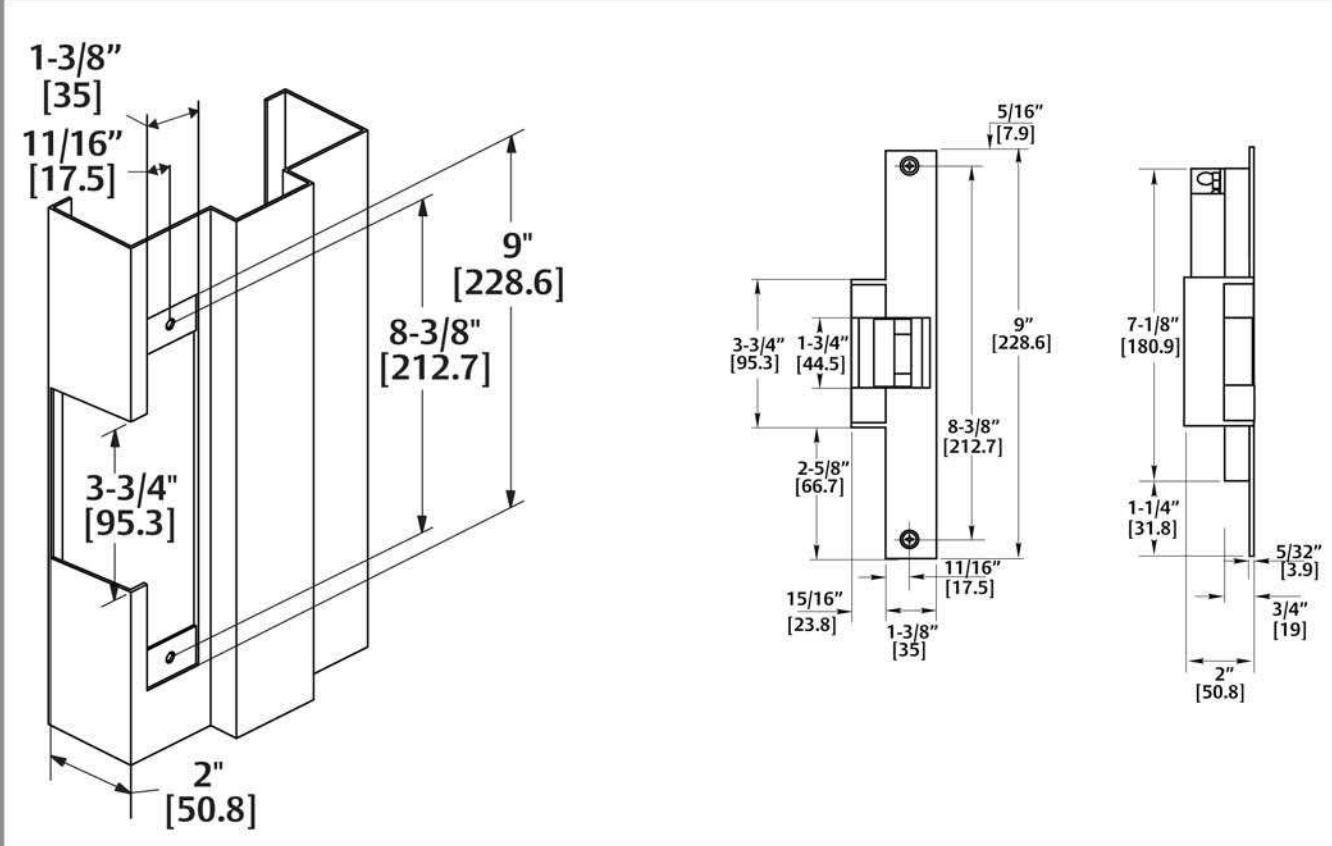


MORTISE LOCK	B
CORBIN/RUSSWIN ARROW, FALCON	0"
BEST 34H-37H	1/4"
SARGENT (8200) YALE (8800)	3/16"
SCHLAGE	3/4"
YALE (8700)	7/8"
BEST 45H & 47H	1/8"

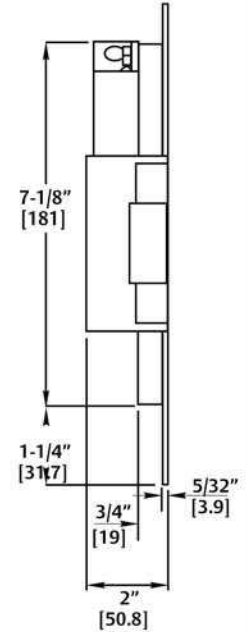
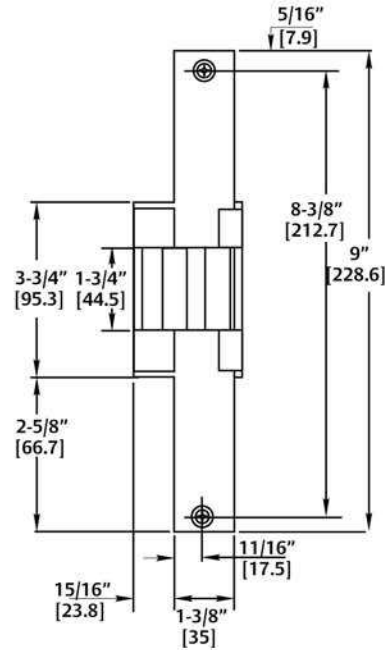
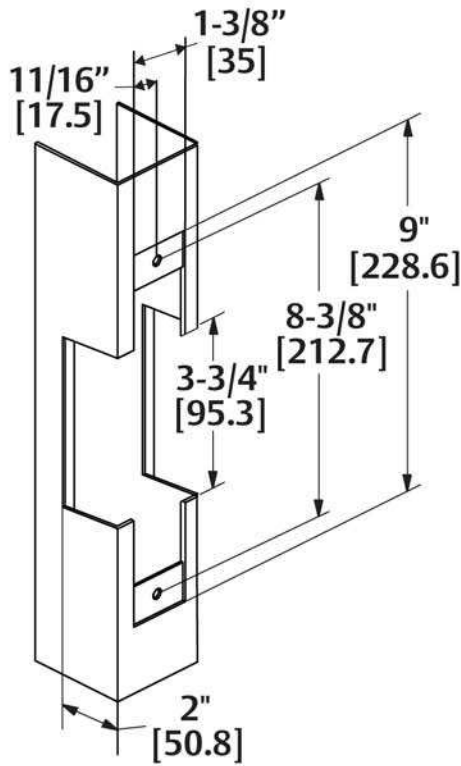
## 310-2 Template & Dimensions



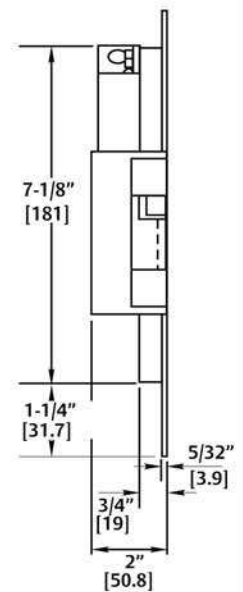
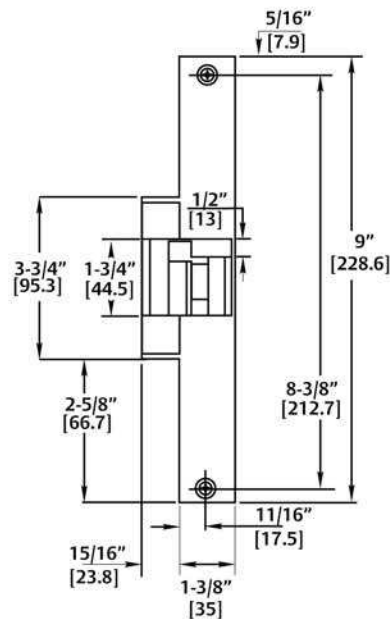
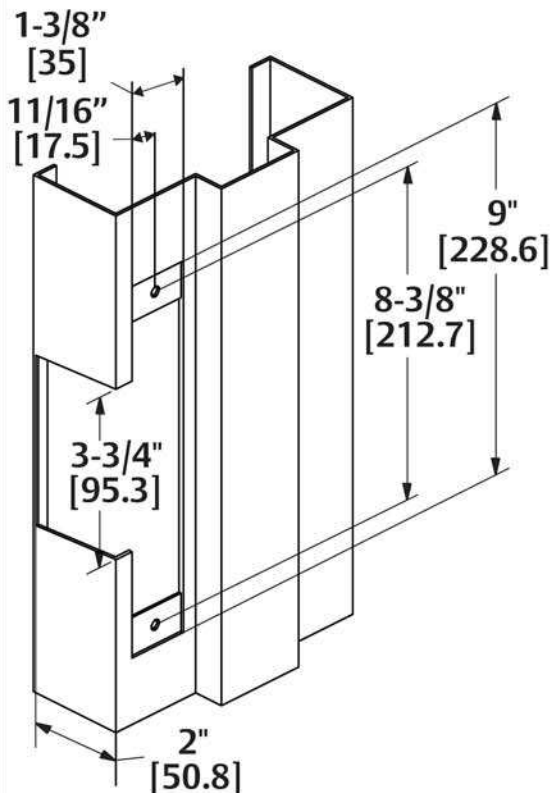
## 310-2 3/4 Template & Dimensions



## 310-2 3/4 OB Template & Dimensions

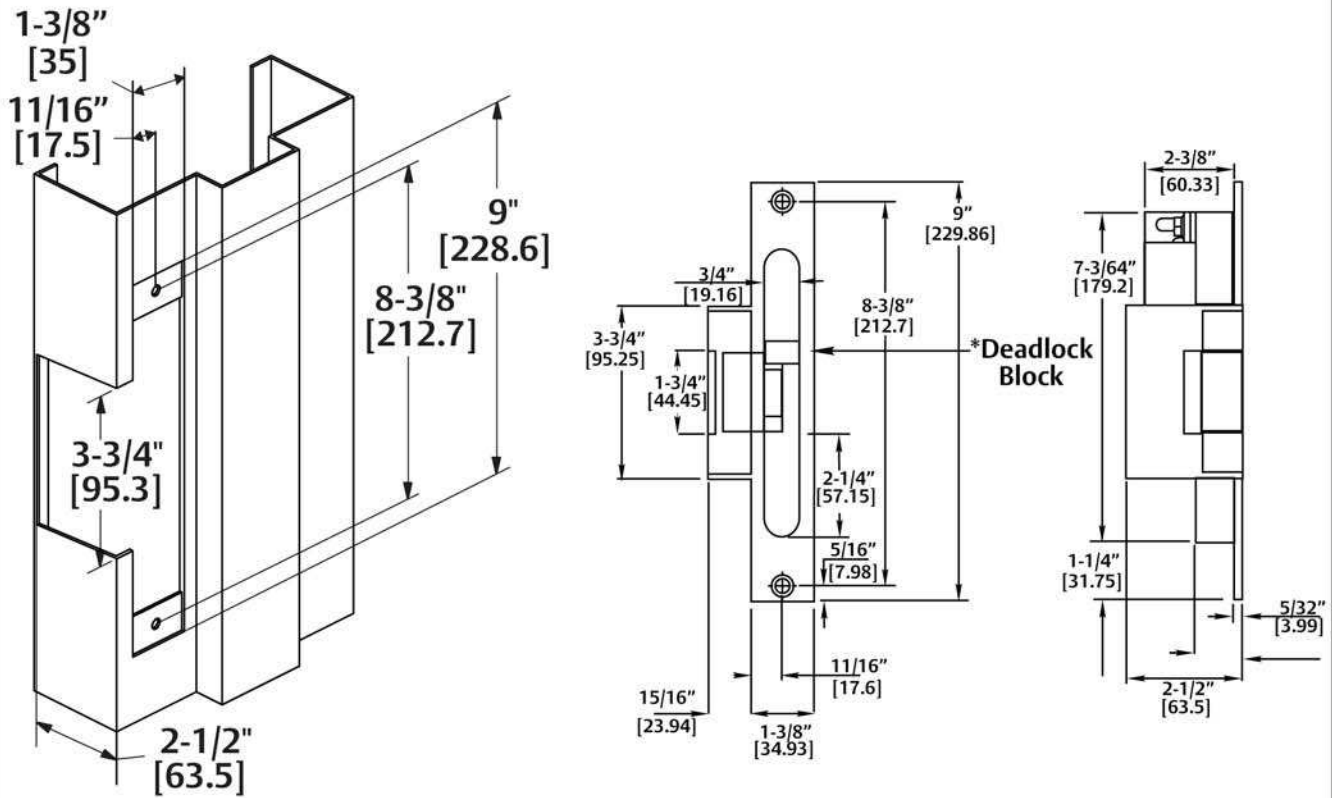


## 310-2 3/4U Template & Dimensions





## 310-3-1 Template & Dimensions



\*The deadlock block that depresses the auxiliary latch can be rotated  $180^\circ$  to move the block  $1/4''$  [6.4] higher if necessary. Handing of the strike can be changed by moving the deadlock block and cavity plug to the opposite cavities in the face plate.