



*Hardwired power
Hardwired data*

The HES K200 cabinet lock makes it easy and cost effective to bring access control to cabinets and drawers where audit trail and monitoring are becoming increasingly critical. The K200 uses Wiegand communication between the integrated, multi-technology reader and an access control system to deliver full access control to cabinets and drawers.

It installs easily, enabling real-time audit capabilities and door monitoring at the drawer or cabinet level. The K200 offers a convenient, single credential solution for compliance and safety throughout your facility.

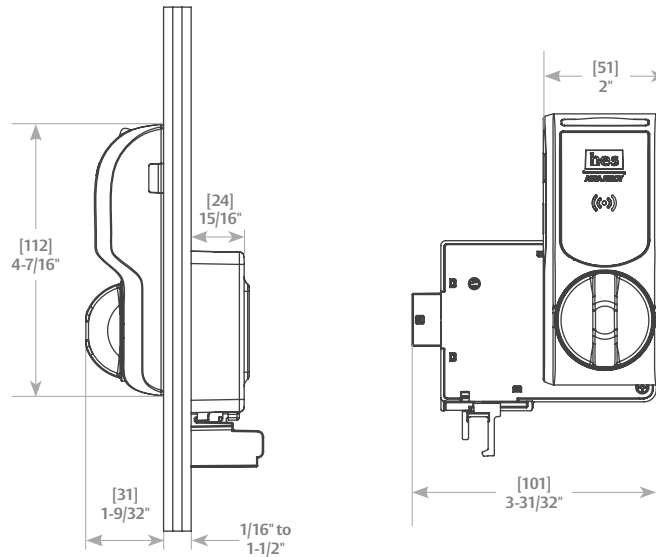
K200 Series

Flexible solution for cabinet and drawer access control

Specifications

- FCC Part 15 & Industry Canada Compliant
- EU/CE Mark (EN 300 & 301)
- RoHS Compliant
- ANSI A156.11-2003 Grade 1
- Operating Temperature +32 to +122F [0 to +50C]
- Credentials supported: 125kHz Prox or 13.56 MHz; iCLASS®, iCLASS Elite, iCLASS SEOS™, iCLASS SE, ISO 15693 iCLASS, ISO 14443A Mifare, Mifare Plus, Desfire SE, Desfire EV1, HCE over NFC
- Patents pending





Standard Features

- Multi-technology reader
- Integrates with existing access control systems
- Hard wired Wiegand communication
- Mechanical key override capable (cam lock not included)
- Static strength 150 lbs
- Latchbolt status monitoring
- Dual voltage 12 or 24 VDC

- Non-handed
- Installs on wood or metal cabinet doors
- Works with cabinet doors and lockers up to 1-1/2" thickness
- Three year limited warranty

Electrical

- 12 - 24 VDC +/- 10%
- 226 mA peak at 12 VDC
- 118 mA peak at 24 VDC

Accessories

- CABLEW10-8: Wiegand wire 8 ft extension, 10 conductor with Molex connectors

Finishes

- Black

