

FS3502 Full Surface Security Hinge - Flush Mount

Standard Features

Barrel Type Hinge

.187" diameter stainless steel pin (rod)
Flanged nylon bearings

Material

Heavy-duty 12 gauge (.105")
stainless steel

Finishes

US32D Satin Stainless Steel (630)

Hospital Tip Standard

Standards

ANSI/BHMA Standard A156.26
Grade 1

Mounting Hardware

12-24 S.S. Phillips F.H.M.S.

Capacity

Supports weights up to 900lbs.
4'0" maximum door width

Standard Sizes

6'8", 7'0", 7'2", 8'0", 10'0"

Hole Pattern

Symmetrically templated

Handing

Specify handing

Fire Rating

3 hours- hollow metal doors
mounted singly
90 minutes- hollow metal and
composite
20 minutes- wood doors



Classified in accordance
with UL10C for positive
pressure



Fire-rated label

Optional Features

Finish

US32 Bright Stainless Steel (629)
Scratch-Resistant Powder Coated Paint

Hole Patterns

Plug weld hole pattern
Custom hole pattern

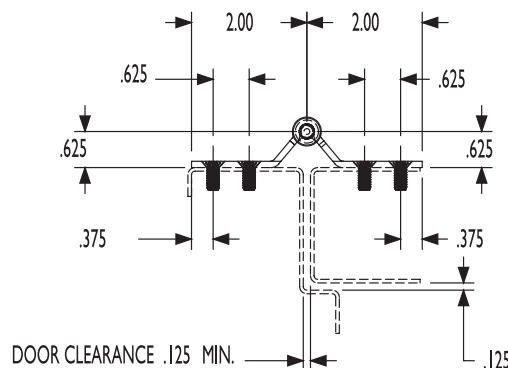
Fasteners

12-24 S.S. Torx with security pin

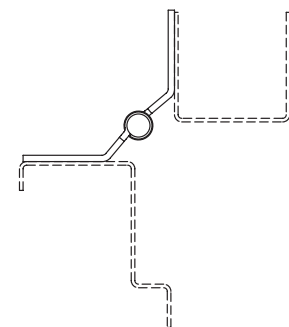
Other Features

Custom lengths - specify in inches
Dutch door hinges - suffix "DDP"
Special sheared leaf

This surface-mounted pin and barrel type hinge is fabricated with extra-heavy duty components and designed for solving door sag problems on high traffic, high abuse doors. This hinge is well suited for correctional facilities and other high security locations using 2" thick swing-type doors. Prison doors, gates extremely tall doors and extra heavy doors are all good candidates for Markar's 3502 Security Hinge.



Door Closed



Door Open 90°