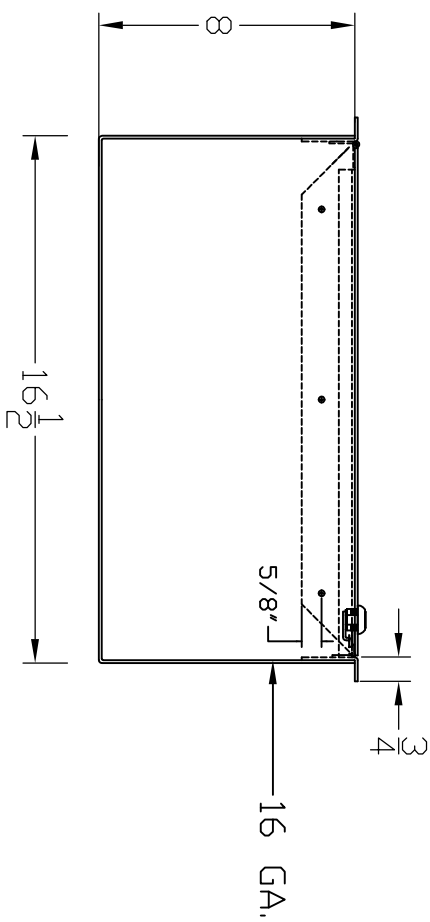
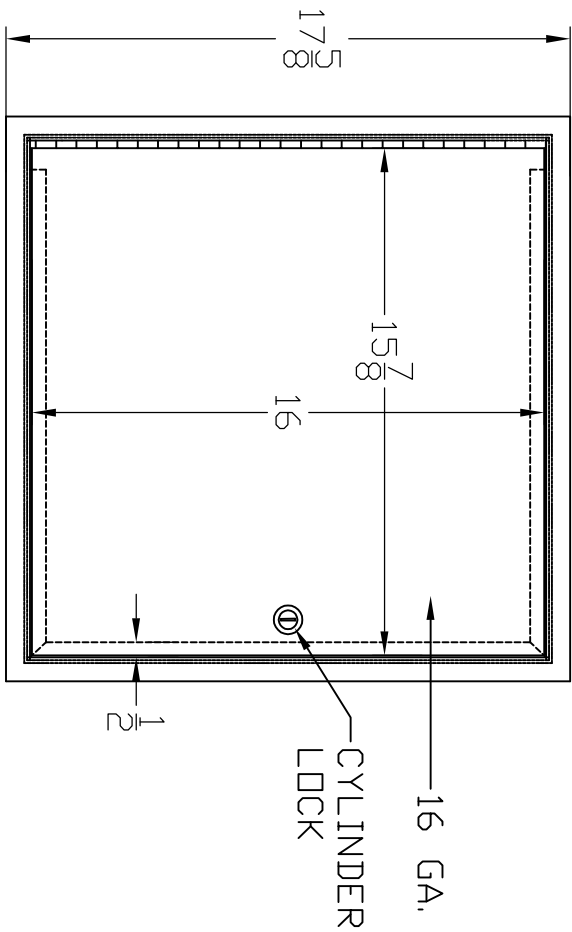


# STANDARD SIZES and PRODUCT NUMBERS

DOOR SIZE	FRAMED OPENING	PRODUCT NUMBER	
		STEEL	STAIN STEEL
8 x 8 x 4	8-1/2 x 8-1/2	3601-008-4	3602-008-4
8 x 8 x 6	8-1/2 x 8-1/2	3601-008-6	3602-008-6
8 x 8 x 8	8-1/2 x 8-1/2	3601-008-8	3602-008-8
12 x 12 x 4	12-1/2 x 12-1/2	3601-012-4	3602-012-4
12 x 12 x 6	12-1/2 x 12-1/2	3601-012-6	3602-012-6
12 x 12 x 8	12-1/2 x 12-1/2	3601-012-8	3602-012-8
14 x 14 x 4	14-1/2 x 14-1/2	3601-014-4	3602-014-4
14 x 14 x 6	14-1/2 x 14-1/2	3601-014-6	3602-014-6
14 x 14 x 8	14-1/2 x 14-1/2	3601-014-8	3602-014-8
16 x 16 x 4	16-1/2 x 16-1/2	3601-016-4	3602-016-4
16 x 16 x 6	16-1/2 x 16-1/2	3601-016-6	3602-016-6
16 x 16 x 8	16-1/2 x 16-1/2	3601-016-8	3602-016-8



ORDER WILL NOT BE RELEASED FOR FABRICATION UNTIL SIGNED COPY IS RECEIVED.

VERIFICATION AND APPROVAL OF GENERAL ARRANGEMENT AND OVERALL DIMENSIONS OF THIS DOCUMENT ARE REQUIRED BEFORE THE ORDER IS ENTERED FOR MANUFACTURING.

APPROVAL SIGNATURE \_\_\_\_\_

TITLE HELD \_\_\_\_\_

DATE OF APPROVAL \_\_\_\_\_

A	ORIGINAL	XXXX-XXX	MM-DD-YY
ND	ECN NO.	REVISION	DATE
DRAWN BY:	CHECKED BY:		
DN	XXX		
DATE:	DATE:		
9-13-07	MD/DY/YR		
SCALE:	JOB #:		
NONE	X/X		
TOLERANCE UNLESS SPECIFIED		TITLE:	
XXX	± 0.005"	16" X 16" X 8" STYLE	
XX	± 0.01"	VALVE BOX	
FRACT.	± 1/16"	DWG. NO.:	
ANGLES	± 1 0°	XXX	
		SHEET: 1 OF 1	

**CPG COMMERCIAL PRODUCTS GROUP**

484 N. THOMAS DR. BENSENVILLE, IL 60106 PH. 800-624-8642  
 FAX: 866/466-9335 WWW.commercialproductsgroup.com

THIS DRAWING IS THE PROPERTY OF COMMERCIAL PRODUCTS GROUP AND CONTAINS PROPRIETARY INFORMATION. IT IS NOT TO BE REPRODUCED OR DISTRIBUTED TO OTHER THAN YOUR PERSONAL WITHOUT CPG'S WRITTEN PRIOR CONSENT.