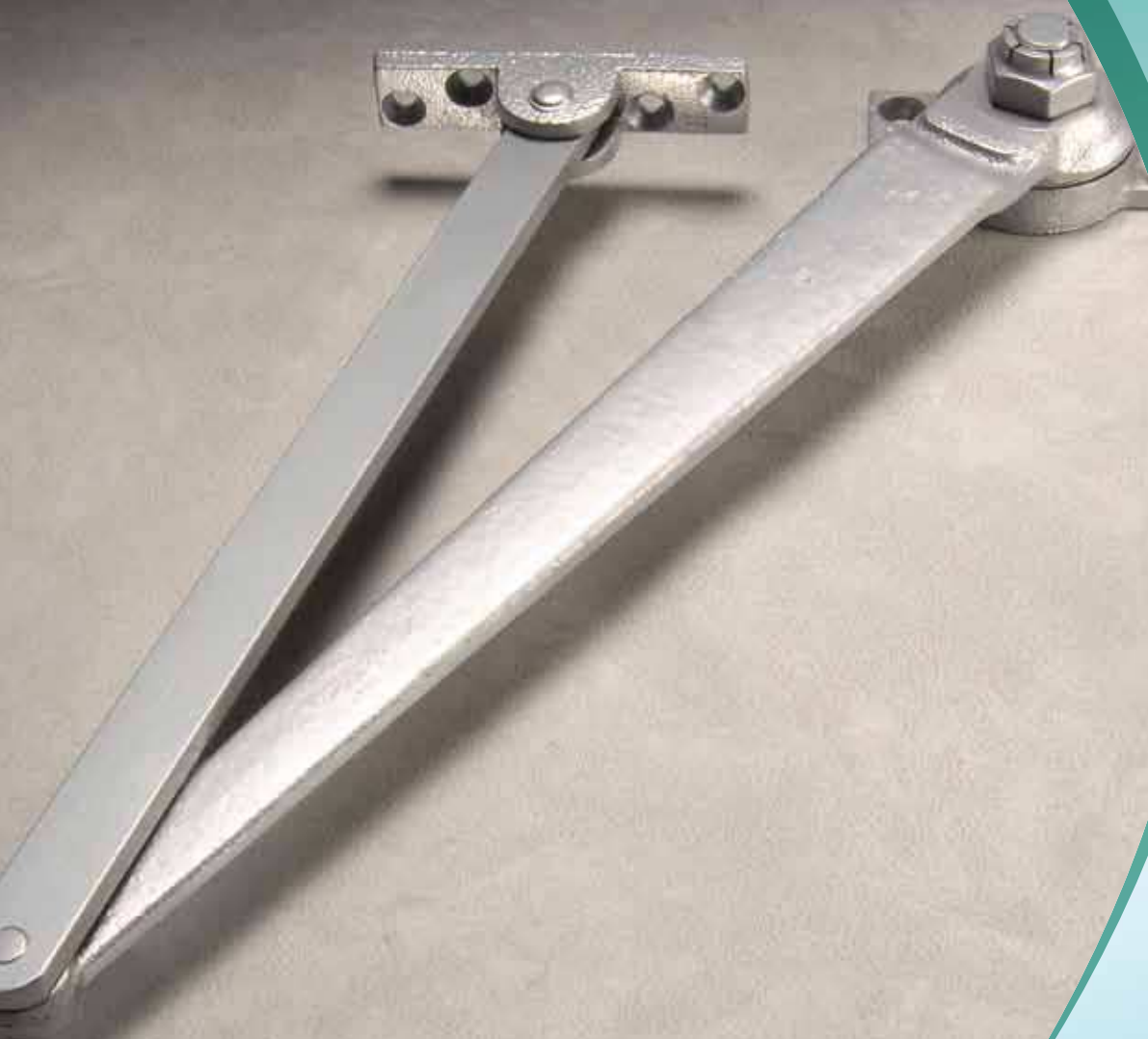


#2

Overhead Door Holders



Norton[®]

ASSA ABLOY

ASSA ABLOY, the global leader
in door opening solutions

OVERVIEW

The Norton® #2 Overhead Door Holder is for application on the inactive leaf of a pair of doors where the function and cost of a door closer is not warranted. It permits the inactive leaf to be held open when the full opening of the pair is required. It can also be installed on doors with a closer when it is desired to have the hold open function separate from the door closer.

These handed door holders are for application on the push (stop) side of the door, and require a 1-1/2" (38mm) minimum frame soffit width. The bracket with friction hold open mechanism is mounted to the frame soffit. The forearm shoe is mounted to the top rail of the door, requiring a 1-3/4" (44mm) minimum top rail. An auxiliary stop is recommended when this door holder is used.

This door holder is also available with a soffit plate (1618D) which extends the center line of the hold open mechanism 5" (127mm) from the surface of the door. This application provides arm geometry for the door holder installation that is similar to the door closer installation on the opposite door leaf. This door holder with soffit plate is also available with an angle bracket (2022) for installation on doors with a flush transom condition.

FEATURES

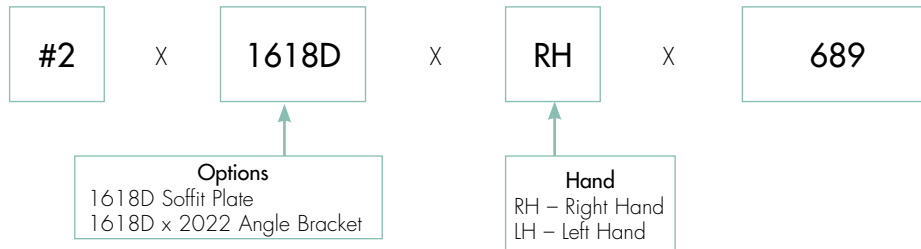
Reliable Hold Open Mechanism: Holder incorporates the same friction type hold open mechanism used in other Norton door closers with hold open arms.

Adjustable 90° -180° Hold Open: Degree of door hold open can be selected between 90° and 180° by template location and adjustment of the holder nut.

Rugged Construction: The forearm arm is heavy-gauge steel; the shoe, the main arm and soffit plate with mating friction surfaces are heavy cast iron.

Handed: Norton #2 Door Holder is handed.

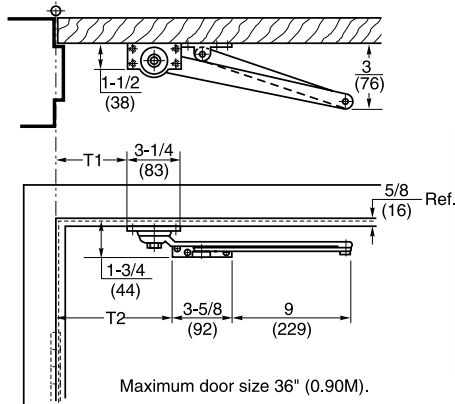
HOW TO ORDER



#2 OVERHEAD DOOR HOLDERS

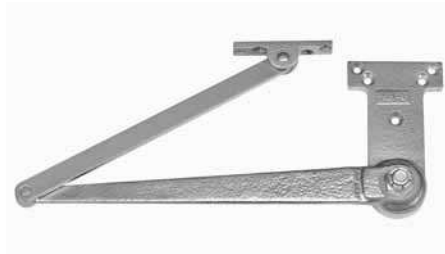
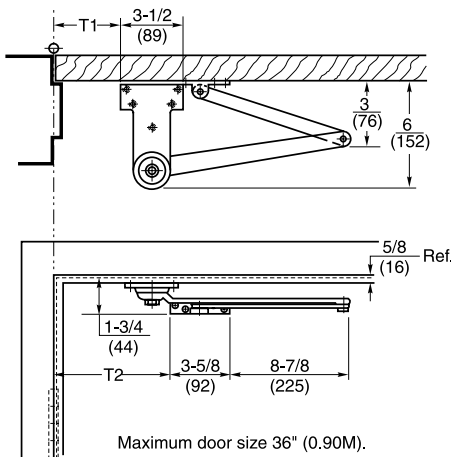
PUSH SIDE INSTALLATION

No. 2 Door Holder



Hold Open	Template Position	
	T1	T2
90°	7-1/4 (184)	10-1/8 (257)
180°	4-1/4 (108)	7-1/8 (181)

No. 2 Door Holder x 1618D Soffit Plate



Hold Open	Template Position	
	T1	T2
90°	7-3/8 (187)	10-1/8 (257)
180°	4-3/8 (111)	7-1/8 (181)

SPRAYED FINISHES

Description	Specify Norton® (BHMA) Designation	Complements the following finishes	Old Norton Designation
Aluminum	689	628, 625, 629, 630, 651, 652	AL
Statuary Bronze	690	640, 613	STAT
Dull Bronze	691	612, 637, 639	DB
Black	693	315	315
Medium Amber	694	312	312
Gold	696	605, 606, 632, 633	GB
Prime Coat	600*		SRI

Norton #2 Overhead Door Holders are available in the following sprayed finishes. Order sprayed finishes by the Norton symbol.

*600 is a special rust-inhibiting prime coat. Holders can be ordered prime coat only (specify holder x 600). An additional charge applies if finish coat is required over prime coat.

CONTACT US AT:

Norton Door Controls
3000 Highway 74 East
Monroe, NC 28112
Tel: 877-974-2255
Fax: 800-338-0965

ASSA ABLOY Door Security Solutions Canada
160 Four Valley Drive
Vaughan, Ontario, L4K 4T9 Canada
Tel: 800-461-3007
Fax: 905-738-2478

For a complete listing of products and applications please visit our web site.
www.nortondoорcontrols.com
www.assaabloy.ca

Norton® is a registered trademark of Yale Security Inc., an ASSA ABLOY Group company. Other products' brand names may be trademarks or registered trademarks of their respective owners and are mentioned for reference purposes only. These materials are protected under U.S. copyright laws. All contents current at time of publication. Copyright © 1999, 2012, Yale Security Inc., an ASSA ABLOY Group company. All rights reserved. Reproduction in whole or in part without the express written permission of Yale Security Inc. is prohibited.