

160 SERIES

Door Closer



Norton[®]

ASSA ABLOY

ASSA ABLOY, the global leader
in door opening solutions

INTRODUCTION

The 160 Series door closer, is ideal for stocking distributors serving high volume after-market and storefront segments. The 160 Series features an adjustable spring, non-hold open arms and independent and separate latch, sweep and backcheck intensity valves. With easy installation and maintenance and dependable control, the 160 Series is perfect for office doors, utility doors and strip mall applications.



161BF x TPN shown

FEATURES

- Two models:
 161BF: adjustable spring size 1 through 4
 164: size 4 spring
- Non-handed
- Cast aluminum body
- Rack-and-pinion design
- Independent latch sweep and backcheck intensity valves
- Non-hold open arms: 161BF, 164
- Hold open arms: 161BF only
- Closer footprint: 3/4" x 9-1/16"
- Closer projection: 2-5/8"
- Available in 689 (aluminum) or 690 (dark bronze) finishes

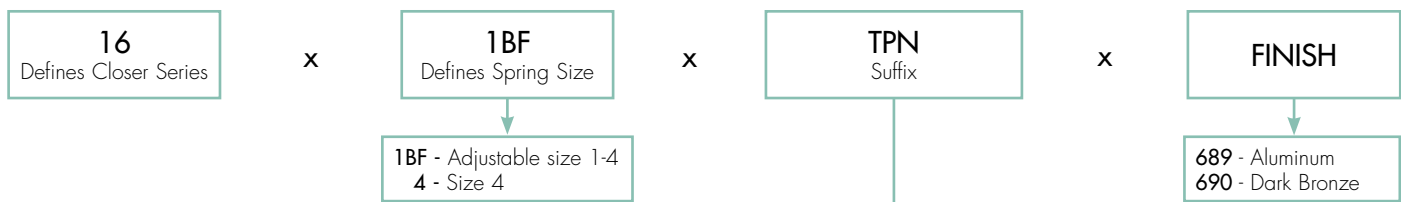
COMPLIANCE STANDARDS

- ANSI/BHMA A156.4, Grade 1
- UL / cUL listed for use on fire rated doors
- UL10C listed for positive pressure fire test
- Meets requirements for for Americans with Disabilities Act (ADA) and ANSI/BHMA A117.1
- 5-year limited warranty

TABLE OF CONTENTS

Features, Compliance Standards	2
How To Order	3
Applications	3

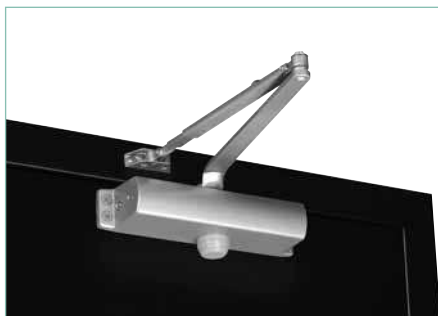
HOW TO ORDER



Model #	Suffix	Non-Hold Open	Hold Open	Adjustable Spring 1-4	Size 4 Spring	Adjustable Slide Arm	Tri-Packed (RA, TJ, PA)	Sex Nuts Included
161BF	TPN	•		•		•	•	•
	TPH		•	•		•	•	•
164	TPN	•			•	•	•	•

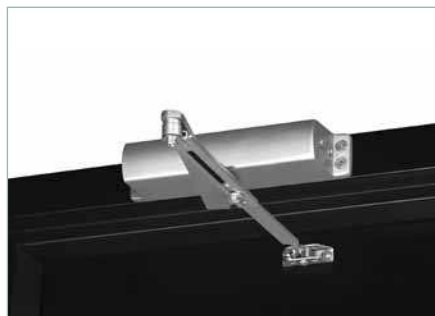
Note: Specify 161BFxOP2 to order the 161BF closer packed with a cover.

APPLICATIONS



TPN arm shown (regular mounting)

- Pull-side application
- Closer mounted on the door



TPN arm shown (top jamb mounting)

- Push-side application
- Closer mounted on the frame
- Minimum top rail = 2-1/4" (57mm)
- Maximum frame reveal = 2-3/4" (70mm)



TPN arm shown (parallel mounting)

- Push-side application
- Closer mounted on the door



161BFxOP2



161BFxTPH

NOTE: Arms are not interchangeable with Norton's premium line of closers

CONTACT US AT:

Norton Door Controls
3000 Highway 74 East
Monroe, NC 28112
Tel: 877-974-2255
Fax: 800-338-0965

ASSA ABLOY Door Security Solutions Canada
160 Four Valley Drive
Vaughan, Ontario, L4K 4T9 Canada
Tel: 800-461-3007
Fax: 905-738-2478

For a complete listing of products and
applications please visit our web site.
www.nortondoорcontrols.com
www.assaabloy.ca

Norton[®] is a registered trademark of Yale Security Inc., an ASSA ABLOY Group company. Other products' brand names may be trademarks or registered trademarks of their respective owners and are mentioned for reference purposes only. Norton is a brand associated with Yale Security Inc., an ASSA ABLOY Group company. Copyright © 2012-2016, Yale Security Inc. All rights reserved. Reproduction in whole or in part without the express written permission of Yale Security Inc. is prohibited.