



**CAUTION**

An incorrectly installed or improperly adjusted door closer can cause property damage or personal injury. These instructions should be followed to avoid the possibility of misapplication or misadjustment.

**Power Track® Series**  
**Master Unit – PTDO** (with detector)  
**Support Unit - PTO** (without detector)

**Models**

Hinge (Pull) Side of Door Application    Stop (Push) Side of Door Application

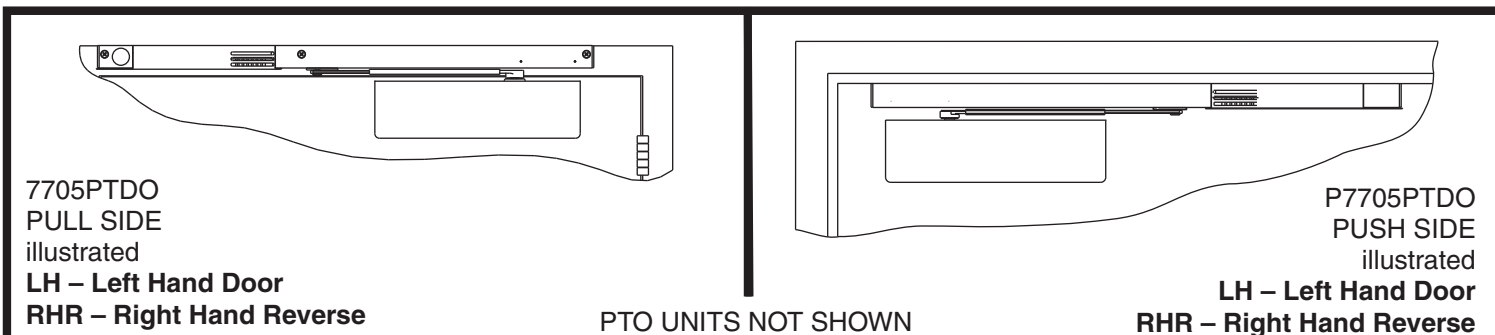
**7705PTDO**    **P7705PTDO**  
**7705PTO**    **P7705PTO**

**NOTES:** - For wiring of PTDO models, see "PowerTrack®" "Wiring Instructions" No. 80-9342-0902-021 (01-09)  
 - When used with a PTDO model, PTO unit must be a 24V unit

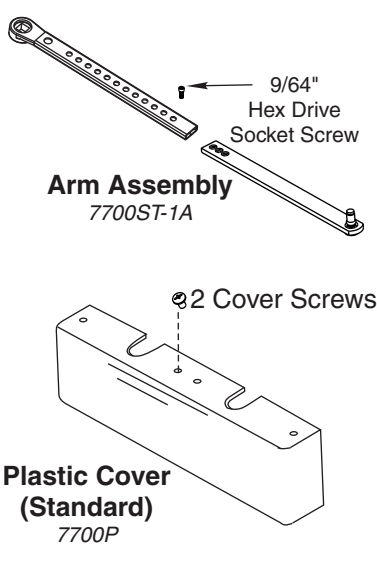
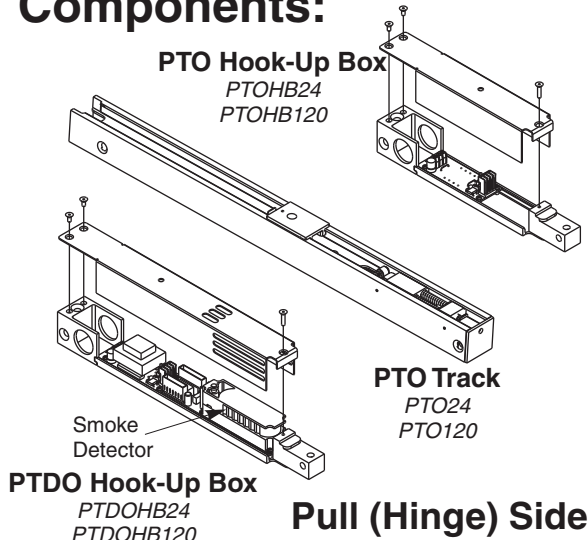
**ASSA ABLOY**

**Installation Instructions**

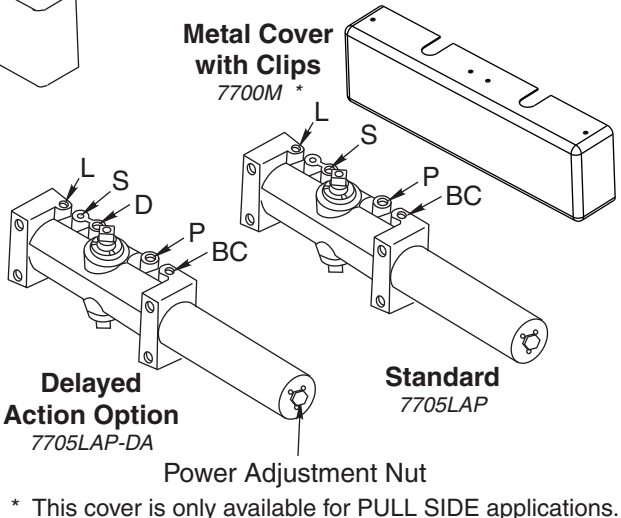
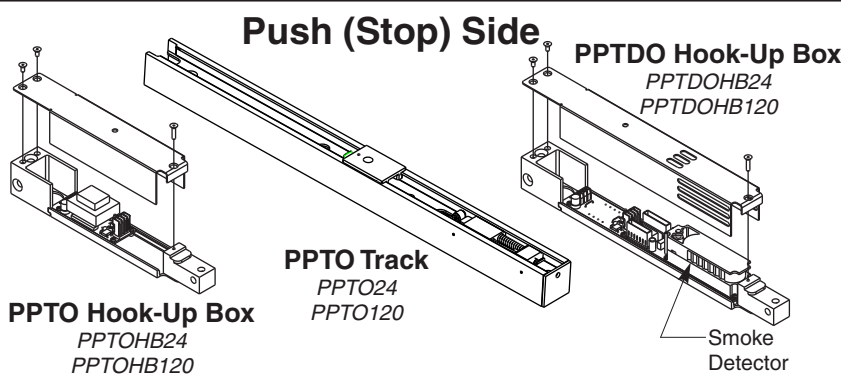
Combination Door Closer-Holder and Releasing Device WITH and WITHOUT Integral Smoke Detector



**Components:**



Preparation for Fasteners			
Fasteners		Door or Frame	Drill-Sizes
Standard	Self-Drilling Screw	Aluminum or Metal	No drill required
		Wood	3/16" (4.30 mm) Pilot hole required
	1/4" - 20 machine screw	Metal	Drill: #7 (0.201" dia.) Tap: 1/4" - 20
Optional	Sleeve nuts and bolts	Hollow Metal	9/32" (7 mm) through; 3/8" (9.5 mm) door face opposite to closer
		Aluminum or Wood	3/8" (9.5 mm) through
	Through-bolts and grommet-nuts	All	9/32" (7 mm); 3/8" (9.5 mm) dia. x 3/8" (9.5 mm) deep on door opposite to closer



**NOTE:**

- For special applications a separate door and frame preparation template is packed with these instructions.
- Use this instruction sheet for installation sequence and closer adjustments only.

- Use of an auxiliary door stop is always recommended.
- Unit must be mounted on interior of building in dry environment, maximum humidity of 95%.
- See NFPA70 for wiring requirements and NFPA72 for alarm system requirements.

# 7705PTO/7705PTDO Series

## Hinge (Pull) Side Application



ASSA ABLOY

### 1 Parts

Solenoid wire coiled inside end of track

Optional Cover

### 2 Mark and Drill Holes

**Right Hand Shown**

Power Track	Dim. "A"	Dim. "B"
PTO	$\frac{31-1/16}{(788)}$	$\frac{32-1/8}{(816)}$
PTDO	$\frac{34-11/16}{(881)}$	$\frac{35-3/4}{(908)}$

Preparation for Fasteners		
Fasteners	Door or Frame	Drill Sizes
Self-Drilling Screw	Aluminum or Metal	No drill required
	Wood (see Note)	3-16" (4.3mm)
1/4"-20 machine screw	Metal	Drill #7 (.201" dia) Tap 1/4"-20

**Note:** Wood doors/frames **MUST** have pilot hole when using Self-Drilling Screws.

### 3 Installation Sequence

After installed, bend out tabs to secure.

RH Door, LH Door

Closer Valves Up, Closer Valves Down

Pinion Flat

See Page 4 for wiring instructions.

### 4 Sweep

### 5 Latch

### 6 Backcheck

**Caution:** Don't completely close cushion valve

### 7 Hold Open Angle (Between 85° and 110° only)

A Lock into hold-open

B Use holes that align in arms

C Open door to desired angle

D Use holes that align in arms

### 8 Closing Force

Install closer per instructions with the proper pre-load applied to the arm then adjust spring power. The power adjustment will not work properly if the closer spring is not pre-loaded. Product shipped with closing force set at the middle of the power range.

**DO NOT use a power drill or driver to turn adjustment nut. This will damage closer and void warranty.**

### 9 Optional Cover

7700M

7700P

# P7705PTO/P7705PTDO Series

Stop (Push) Side Application



ASSA ABLOY

### 1 Parts

Solenoid wire coiled inside end of track

Optional Cover

### 2 Mark and Drill Holes

Dimensions: 3-1/8 (79), 12 (305), 19 (486), 1-1/8 (29) hole for Conduit, 1/2 (13), 4 (102), 4 (102), 4-3/4 (121), 4 (102), 5/16 (8), 1-1/8 (29), 2-5/8 (67), 2-3/8 (60), 4-1/4 (108), 6-3/4 (171).

Bottom of Frame Stop

Used for 7788 Drop Plate

Left Hand Shown

Preparation for Fasteners		
Fasteners	Door or Frame	Drill Sizes
Self-Drilling Screw	Aluminum or Metal	No drill required
	Wood (see Note)	3-16" (4.3mm)
1/4"-20 machine screw	Metal	Drill #7 (.201" dia) Tap 1/4"-20

Note: Wood doors/frames MUST have pilot hole when using Self-Drilling Screws.

### 3 Installation Sequence

Pinion Flat

LH Door RH Door

Closer Valves Down

Closer Valves Up

See Page 4 for wiring instructions.

Labels: A, B, C, D, E, F, G, H.

Power Track	Dim. "A"	Dim. "B"
PTO	30-9/16 (776)	31-11/16 (805)
PTDO	34-3/16 (868)	35-5/16 (897)

### 4 Sweep

Labels: +, -

### 5 Latch

Labels: +, -

### 6 Backcheck

Position

Cushion

Labels: +, -

Caution: Don't completely close cushion valve

### Hold Open Angle (Between 85° and 110° only)

A Lock into hold-open

B

C Open door to desired angle

D Use holes that align in arms

### 8 Closing Force

Install closer per instructions with the proper pre-load applied to the arm then adjust spring power. The power adjustment will not work properly if the closer spring is not pre-loaded.

Product shipped with closing force set at the middle of the power range.

Labels: +, -

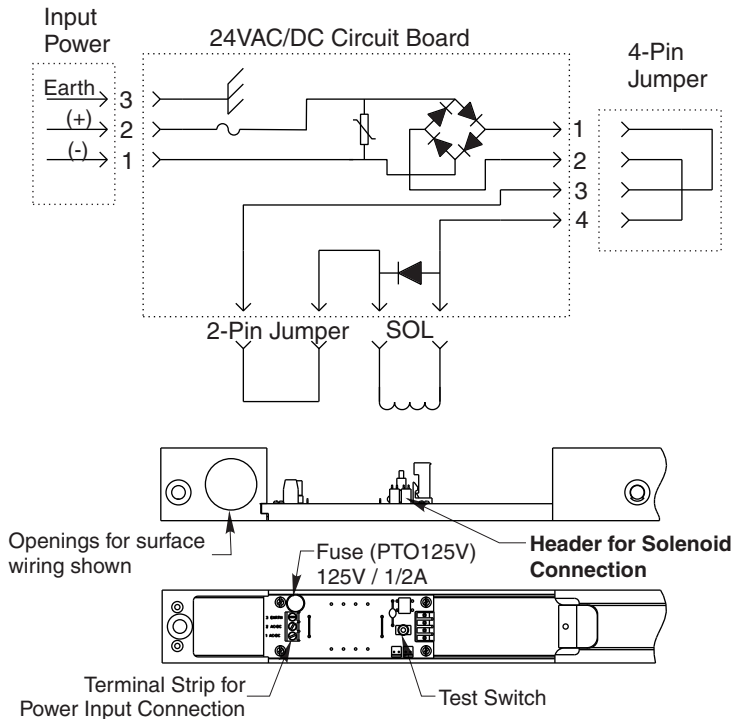
DO NOT use a power drill or driver to turn adjustment nut. This will damage closer and void warranty.

### 9 Optional Cover

7700M

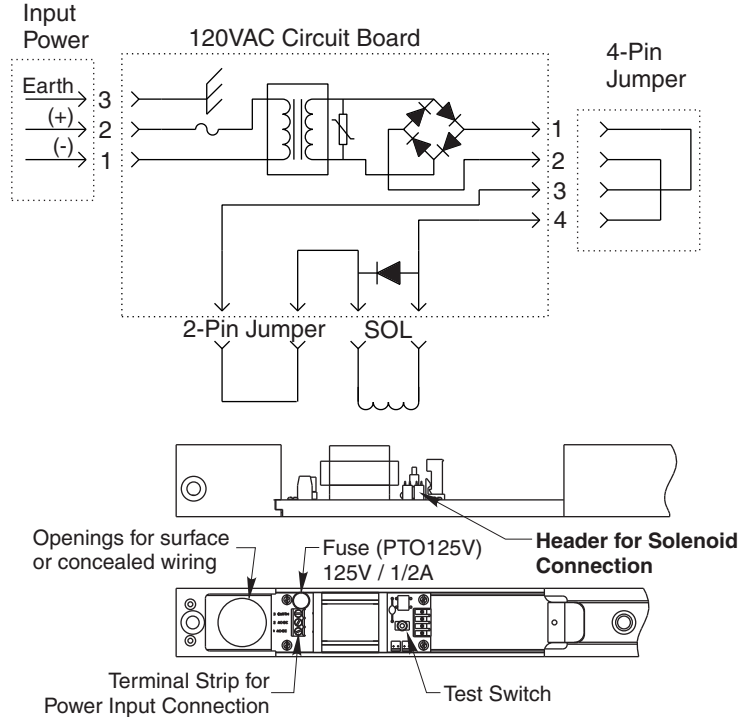
7700P

## PTO Support Unit Wiring Diagram (24VAC/DC Input)



## PTO Support Unit Wiring Diagram (120VAC Input)

(Do not use a 120VAC PTO unit when power is supplied from a PTDO unit)



### For PTDO Models:

Refer to Wiring Instructions No. 80-9342-0902-021 (01-09) for making wiring connections.

### ELECTRICAL DATA

	120VAC	24VAC	24VDC	Detector
Voltage	120V 132V Max 102V Min	24V 26.4V Max 20.4V Min	24V 26.4V Max 20.4V Min	24V 26.4V Max 20.4V Min
Current	.036 Amps	.059 Amps	.074 Amps	0.034 Amps

#### NOTES:

- Maximum wire size is 14AWG.
- All wiring and connections use standard wiring practice conforming with local wiring codes.

### IMPORTANT:

**Remove solenoid wire from end of track** before installing track to frame. Do not pinch or crimp wire. Once track and hook-up box are installed, solenoid wire must be plugged into Header on circuit board shown above.

### After making all wiring connections:

- Turn power to unit "ON". (On Master (PTDO) unit only, red LED should illuminate once every 15 sec.).
- Track's hold open force is preset at the factory.
- Open door to hold-open position. Manually pull door out of hold-open and release...door should close. If arm does not release from hold-open, increase the releasing force by turning the screw accessible thru the end cap of the track using the 9/64" hex wrench provided.

- Again, open door to the hold-open position. Depress "Test Switch" button on the hook-up board (accessible through cover)...door should close. If arm does not release, see previous step.

### Installation of Cover:

- **Plastic Cover (7700P):** Slide cover insert into the un-used cutout in cover. Install cover using screws provided.
- **Metal Cover (7700M):** Fasten cover to mounting clips with screws provided.

**Norton**

**ASSA ABLOY**

3000 Highway 74 East • Monroe, NC 28112  
Tel: (877)-974-2255 • Fax: (800)-338-0965  
www.nortondoorcontrols.com