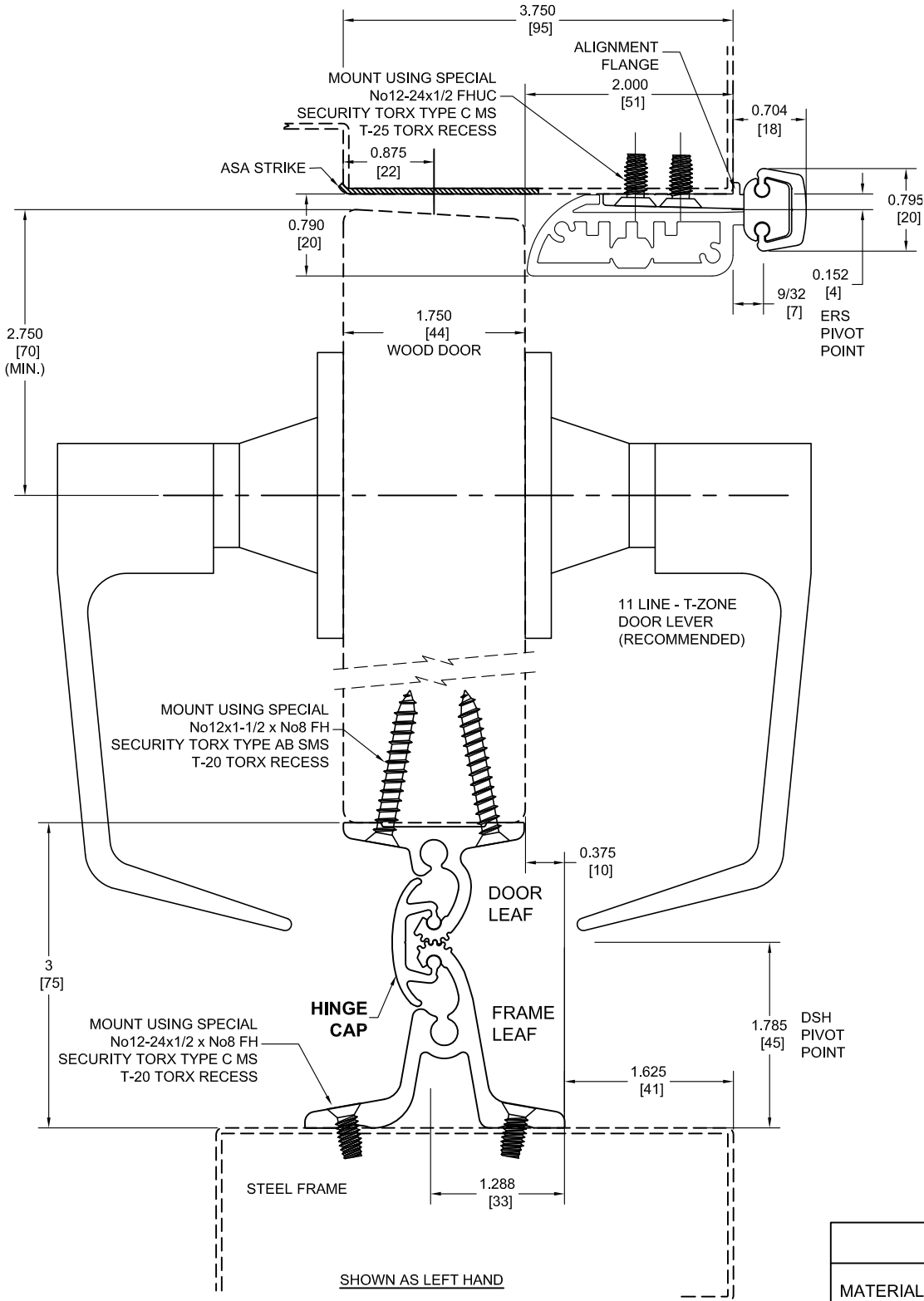


ERS_x DSHP01 - LEFT HAND LAYOUT

ERS EMERGENCY RELEASE STOP & DOUBLE SWING 100DEG HINGE FOR BEHAVIORAL HEALTH APPLICATIONS



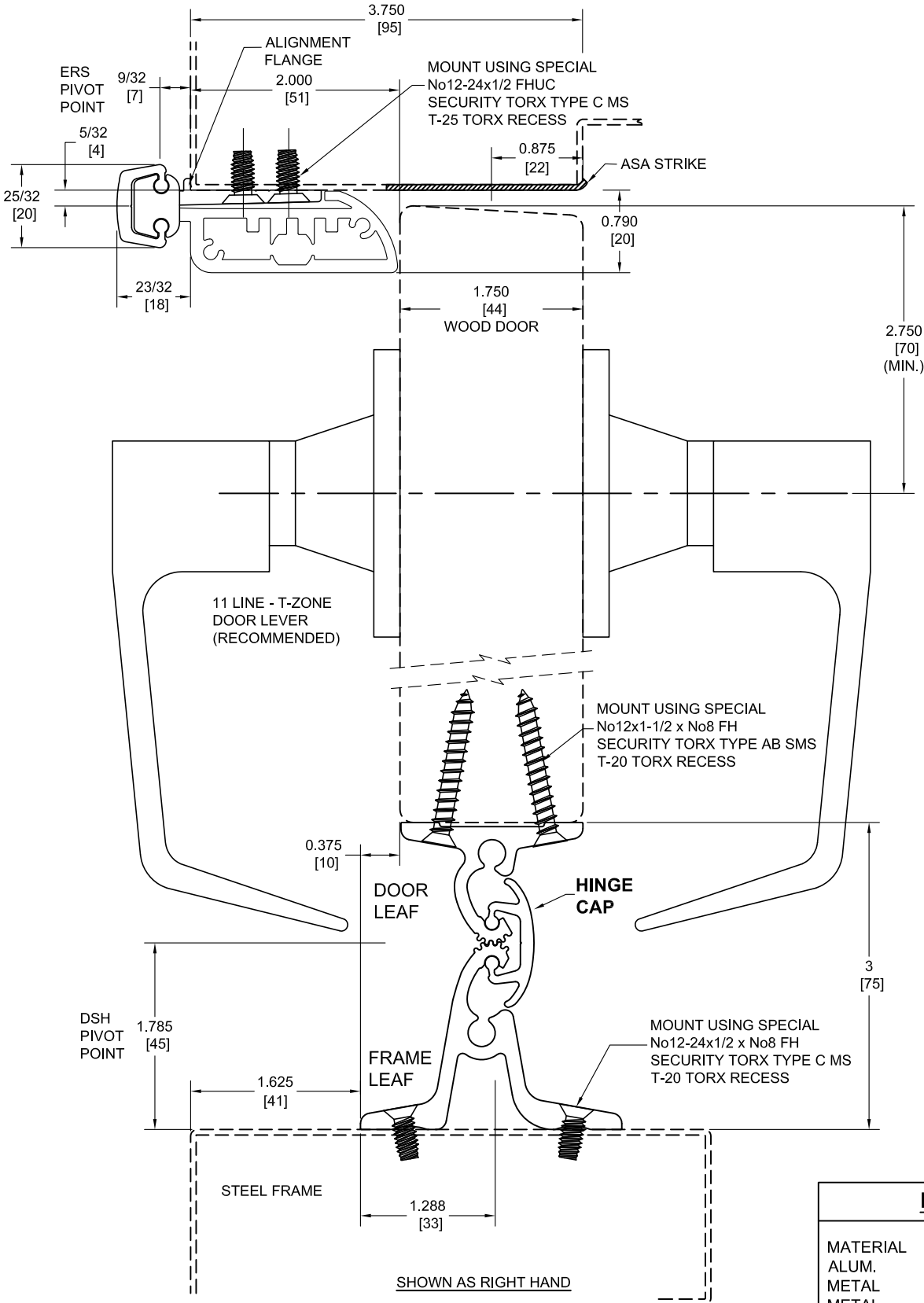
BEHAVIORAL HEALTH APPLICATION
*****DSH HINGE CAP ON PULL SIDE OF DOOR*****

SINGLE RABBIT FRAME

DRILL SIZE CHART		
MATERIAL	THICKNESS	DRILL SIZE
ALUM.	0.090-0.140	13
METAL	20 GAUGE	17
METAL	16-18 GAUGE	15
METAL	12-14 GAUGE	13
WOOD	N/A	5/32"

ERS_x DSHP01 - RIGHT HAND LAYOUT

ERS EMERGENCY RELEASE STOP & DOUBLE SWING 100DEG HINGE FOR BEHAVIORAL HEALTH APPLICATIONS



*****DSH HINGE CAP ON PULL SIDE OF DOOR*****
BEHAVIORAL HEALTH APPLICATION

DRILL SIZE CHART		
MATERIAL	THICKNESS	DRILL SIZE
ALUM.	0.090-0.140	13
METAL	20 GAUGE	17
METAL	16-18 GAUGE	15
METAL	12-14 GAUGE	13
WOOD	N/A	5/32"