

Effective Date: November 2003

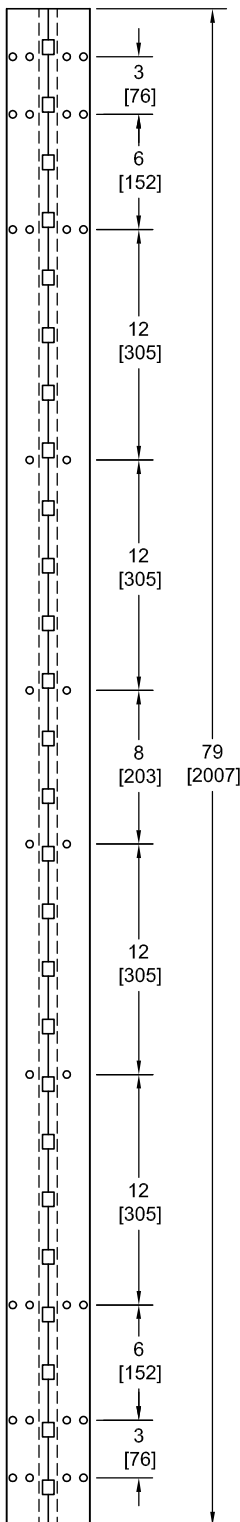
FM79SLF-HD

TEMPLATE FULL MORTISE CONTINUOUS GEARED ALUMINUM HINGE



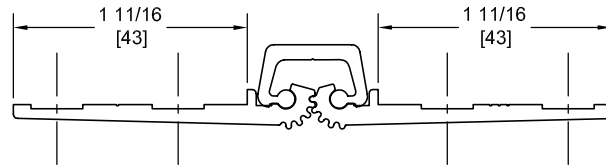
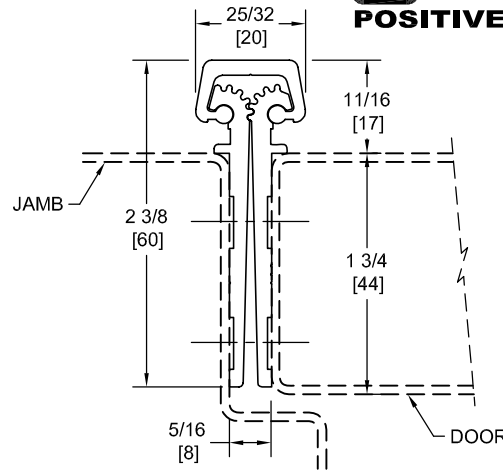
Fire Rated
Classified & Listed to
meet the requirements of
Standards UL10B, UL10C,
UBC7-2, Part I & BS476

POSITIVE PRESSURE

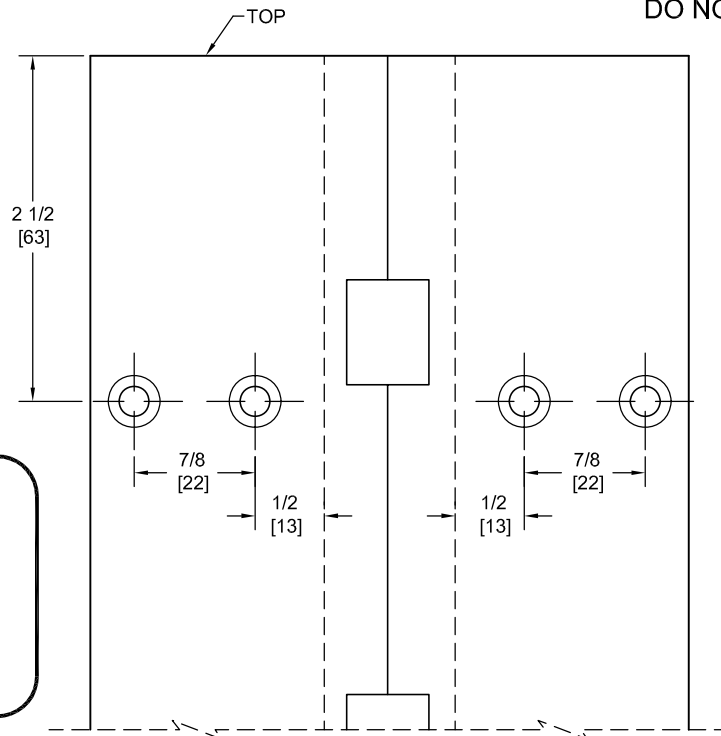


SPECIAL ORDER:
79" HOLE PATTERN

Minimum of 50 Units/Order
Is Required For This Hole
Pattern. Lesser Quantity
Will Be Cut Down From
83" Hinges. Refer to 83"
Cut Down Instruction.



DO NOT SCALE



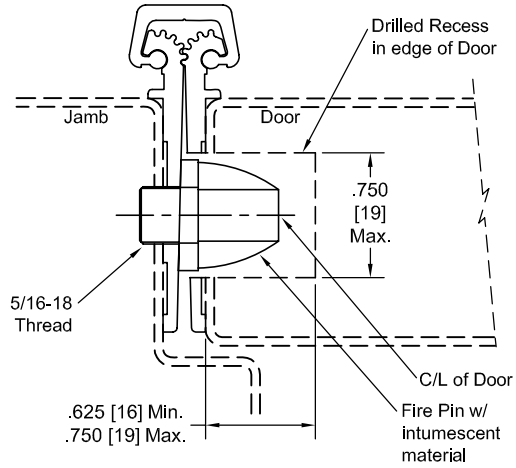
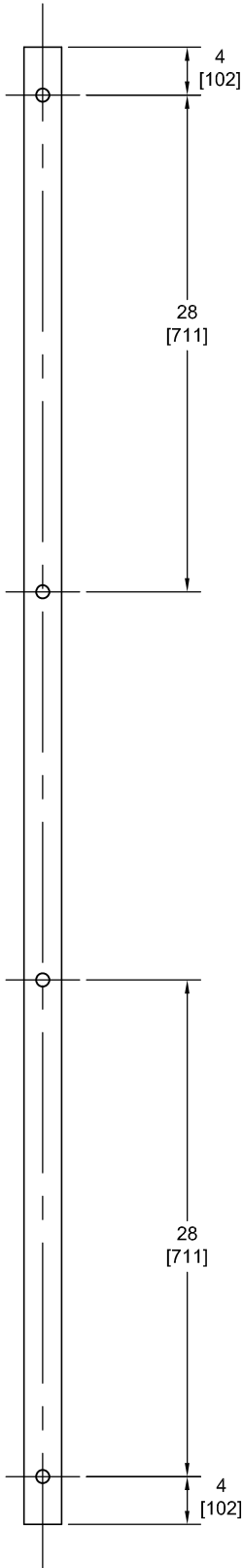
**** CAUTION ****
Due To Frame
Installation
Variations,
Pre-drilling
For Fasteners
Is Not
Recommended

PEMKO Template Full Mortise Continuous Geared Aluminum Hinges CFM79SLF-HD/DFM79SLF-HD are made to conform to this drawing. PEMKO CFM79SLF-HD/DFM79SLF-HD hinges can be supplied with Electric Functions - See Electrical Application Section. Machine Screw Size - No. 12-24 x 7/16 FHUC Thread-forming.

PEMKO Continuous Geared Aluminum Hinges are Listed for fire applications up to 90 minutes without special preparation; for 3 hour openings using hollow metal doors and hollow metal frames on Masonry/Drywall, Fire Pins (supplied separately) must be used. See back for locations.

Manufacturer reserves the right to make changes without formal notice.

Fire Pin Application



Concealed Circuit (CC) Application

SEE ELECTRICAL APPLICATION SECTION
IN TECHNICAL MANUAL

Magnetic Monitor (MM) Application

SEE ELECTRICAL APPLICATION SECTION
IN TECHNICAL MANUAL

Effective Date: November 2003

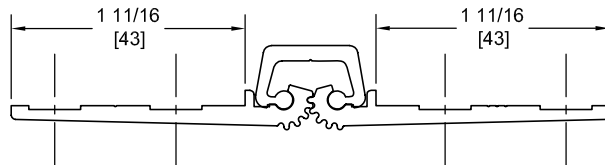
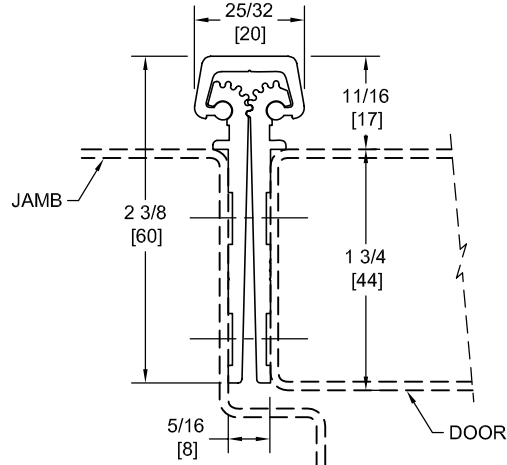
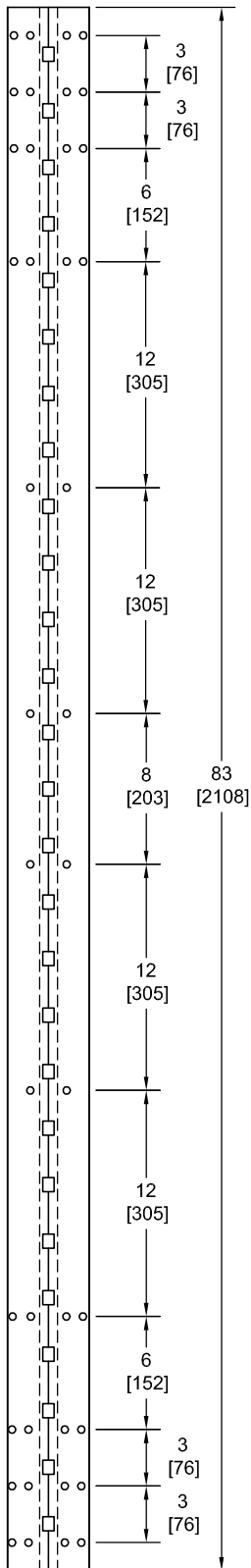
FM83SLF-HD

TEMPLATE FULL MORTISE CONTINUOUS GEARED ALUMINUM HINGE



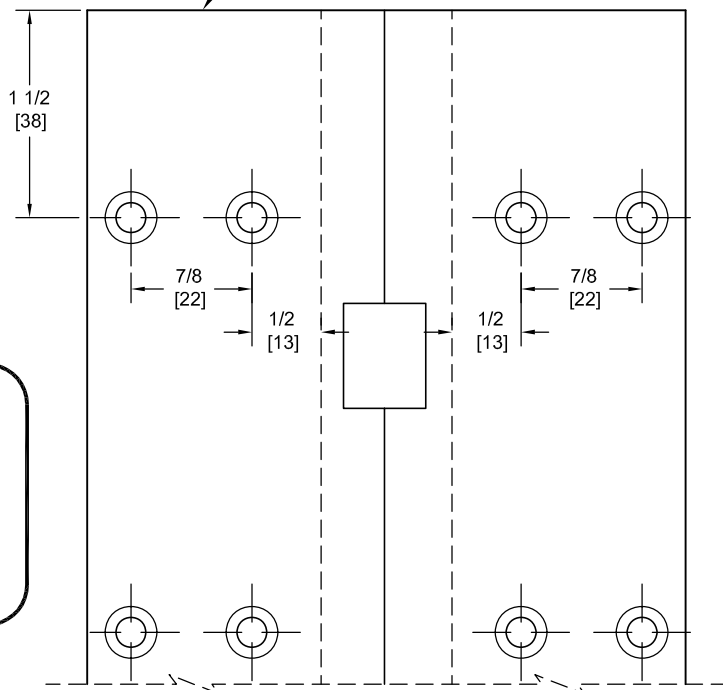
Fire Rated
Classified & Listed to
meet the requirements of
Standards UL10B, UL10C,
UBC7-2, Part I & BS476

POSITIVE PRESSURE



TOP

DO NOT SCALE



**** CAUTION ****
Due To Frame
Installation
Variations,
Pre-drilling
For Fasteners
Is Not
Recommended

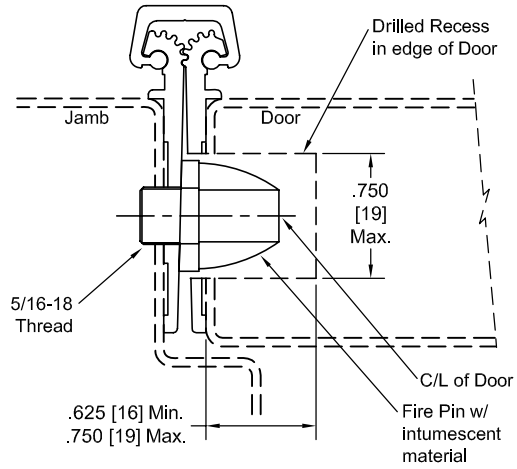
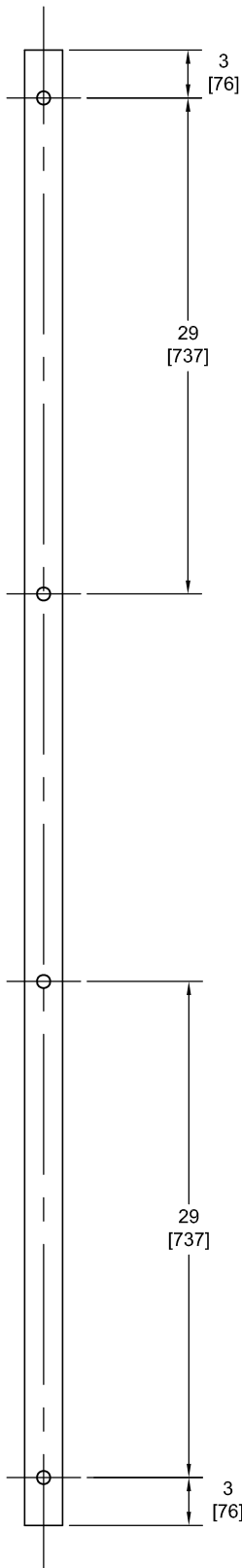
PEMKO Template Full Mortise Continuous Geared Aluminum Hinges CFM83SLF-HD/DFM83SLF-HD are made to conform to this drawing. PEMKO CFM83SLF-HD/DFM83SLF-HD hinges can be supplied with Electric Functions - See Electrical Application Section.

Machine Screw Size - No. 12-24 x 7/16 FHUC Thread-forming.

PEMKO Continuous Geared Aluminum Hinges are Listed for fire applications up to 90 minutes without special preparation; for 3 hour openings using hollow metal doors and hollow metal frames on Masonry/Drywall, Fire Pins (supplied separately) must be used. See back for locations.

Manufacturer reserves the right to make changes without formal notice.

Fire Pin Application



Concealed Circuit (CC) Application

SEE ELECTRICAL APPLICATION SECTION
IN TECHNICAL MANUAL

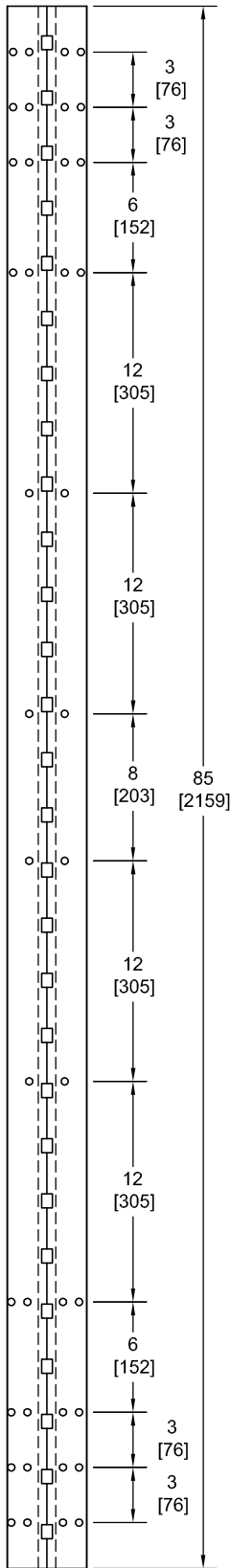
Magnetic Monitor (MM) Application

SEE ELECTRICAL APPLICATION SECTION
IN TECHNICAL MANUAL

Effective Date: November 2003

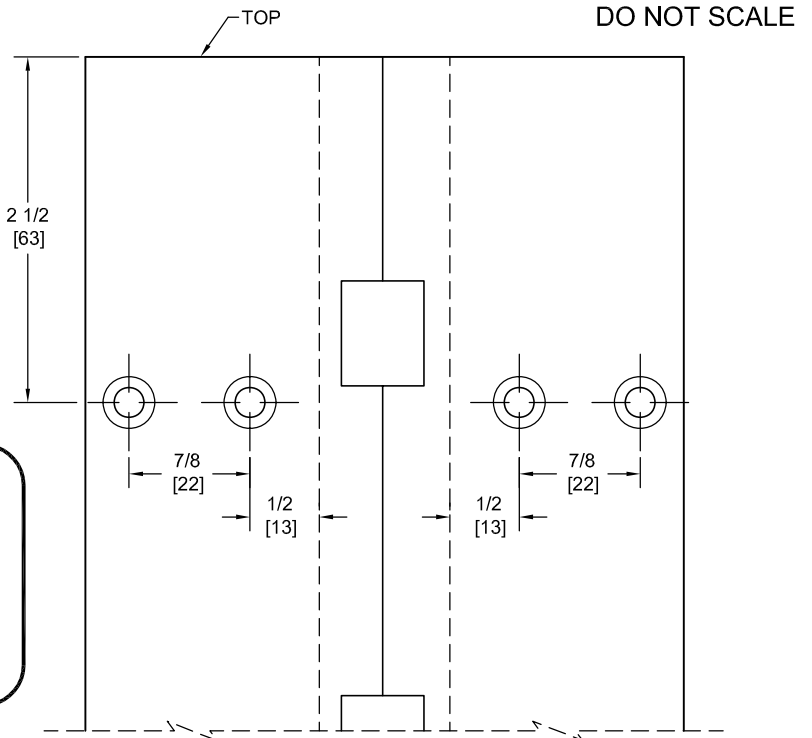
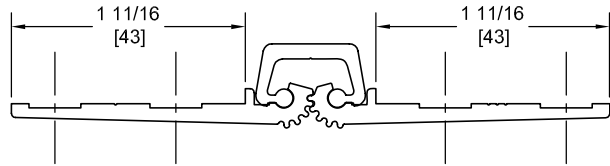
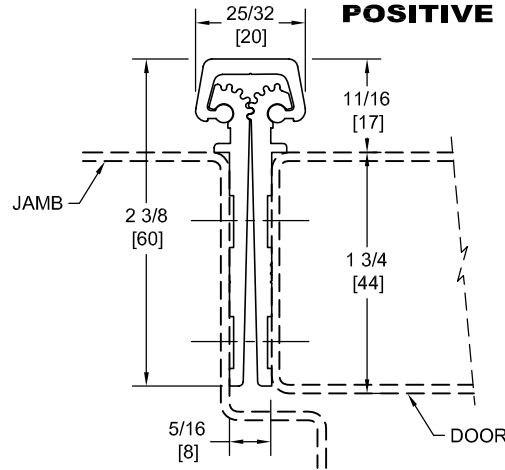
FM85SLF-HD

TEMPLATE FULL MORTISE CONTINUOUS GEARED ALUMINUM HINGE



Fire Rated
Classified & Listed to meet the requirements of Standards UL10B, UL10C, UBC7-2, Part I & BS476

POSITIVE PRESSURE



**** CAUTION ****
Due To Frame Installation Variations, Pre-drilling For Fasteners Is Not Recommended

PEMKO Template Full Mortise Continuous Geared Aluminum Hinges CFM85SLF-HD/DFM85SLF-HD are made to conform to this drawing.

PEMKO CFM85SLF-HD/DFM85SLF-HD hinges can be supplied with Electric Functions - See Electrical Application Section.

Machine Screw Size - No. 12-24 x 7/16 FHUC Thread-forming.

PEMKO Continuous Geared Aluminum Hinges are Listed for fire applications up to 90 minutes without special preparation; for 3 hour openings using hollow metal doors and hollow metal frames on Masonry/Drywall, Fire Pins (supplied separately) must be used. See back for locations.

Manufacturer reserves the right to make changes without formal notice.

Effective Date: November 2003

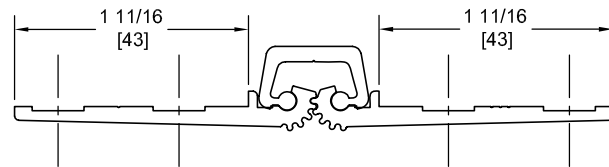
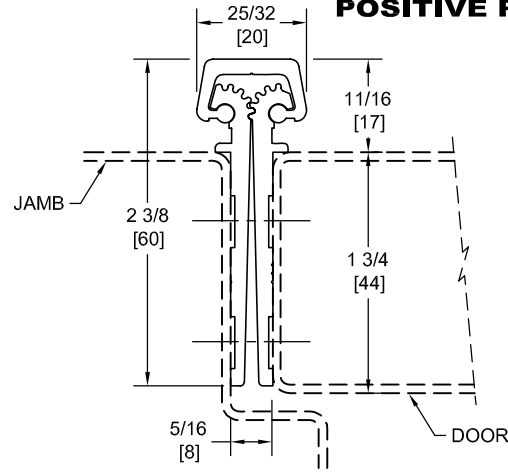
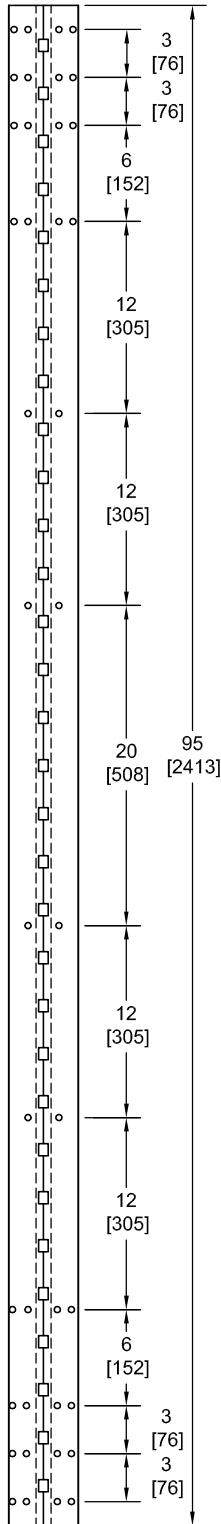
FM95SLF-HD

TEMPLATE FULL MORTISE CONTINUOUS GEARED ALUMINUM HINGE



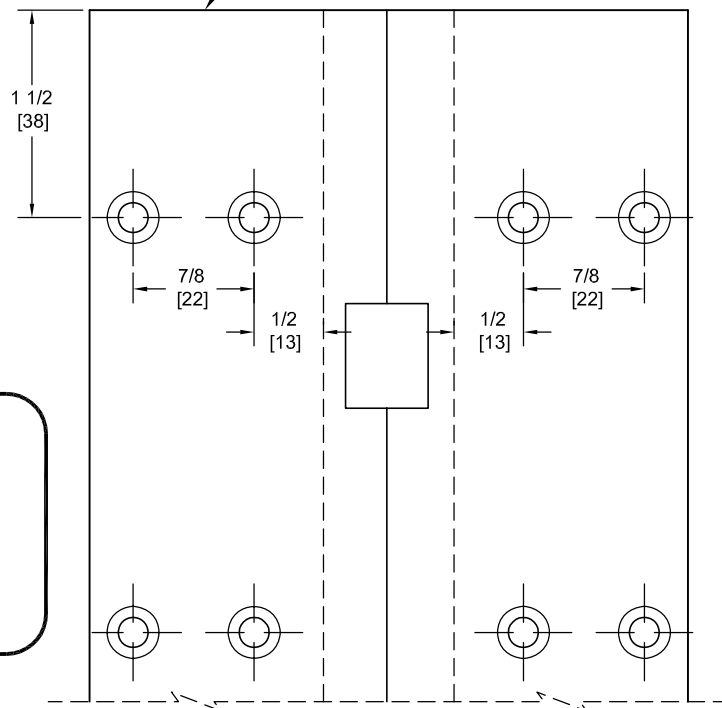
Fire Rated
Classified & Listed to
meet the requirements of
Standards UL10B, UL10C,
UBC7-2, Part I & BS476

POSITIVE PRESSURE



TOP

DO NOT SCALE



**** CAUTION ****
Due To Frame
Installation
Variations,
Pre-drilling
For Fasteners
Is Not
Recommended

PEMKO Template Full Mortise Continuous Geared Aluminum Hinges CFM95SLF-HD/DFM95SLF-HD are made to conform to this drawing.

PEMKO CFM95SLF-HD/DFM95SLF-HD hinges can be supplied with Electric Functions - See Electrical Application Section.

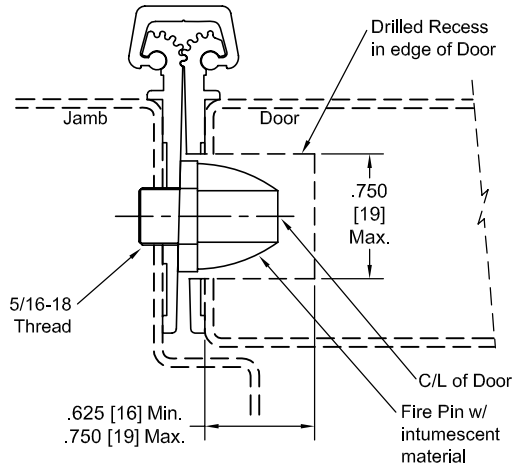
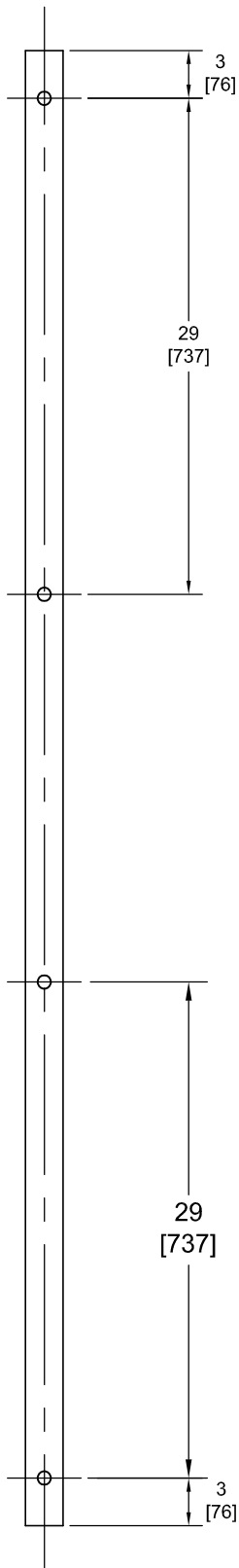
Machine Screw Size - No. 12-24 x 7/16 FHUC Thread-forming.

PEMKO Continuous Geared Aluminum Hinges are Listed for fire applications up to 90 minutes without special preparation; for 3 hour openings using hollow metal doors and hollow metal frames on Masonry/Drywall, Fire Pins (supplied separately) must be used. See back for locations.

Manufacturer reserves the right to make changes without formal notice.

Continued on Back...

Fire Pin Application



Concealed Circuit (CC) Application

SEE ELECTRICAL APPLICATION SECTION
IN TECHNICAL MANUAL

Magnetic Monitor (MM) Application

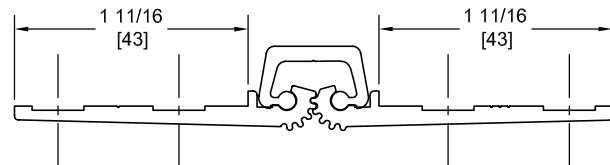
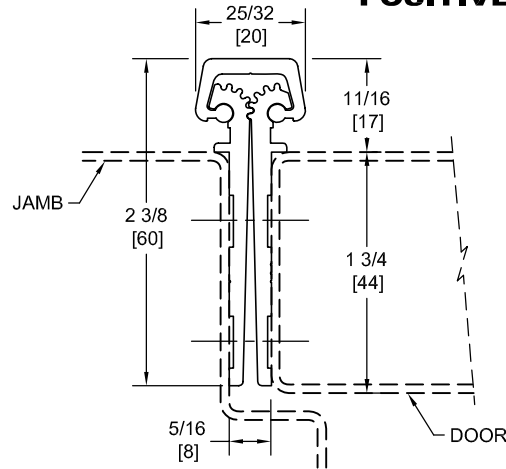
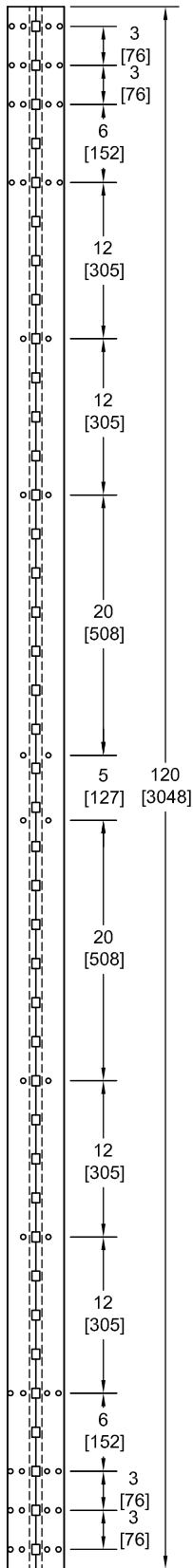
SEE ELECTRICAL APPLICATION SECTION
IN TECHNICAL MANUAL

FM120SLF-HD

TEMPLATE FULL MORTISE CONTINUOUS GEARED ALUMINUM HINGE

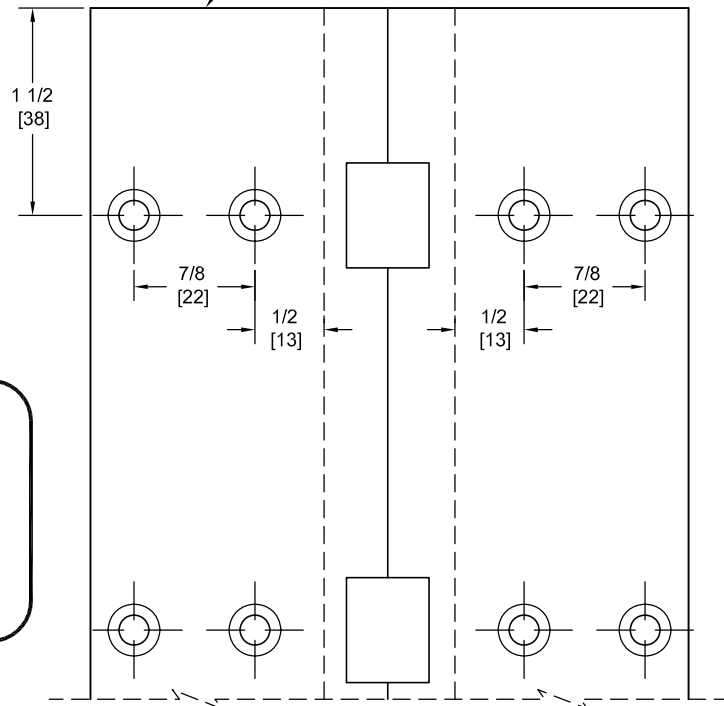


Fire Rated
Classified & Listed to
meet the requirements of
Standards UL10B, UL10C,
UBC7-2, Part I & BS476
POSITIVE PRESSURE



TOP

DO NOT SCALE



**** CAUTION ****
Due To Frame
Installation
Variations,
Pre-drilling
For Fasteners
Is Not
Recommended

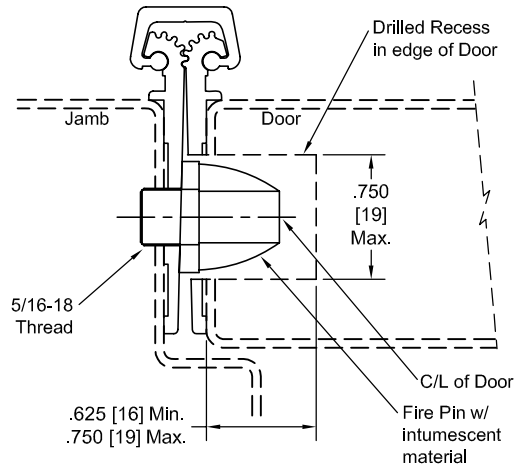
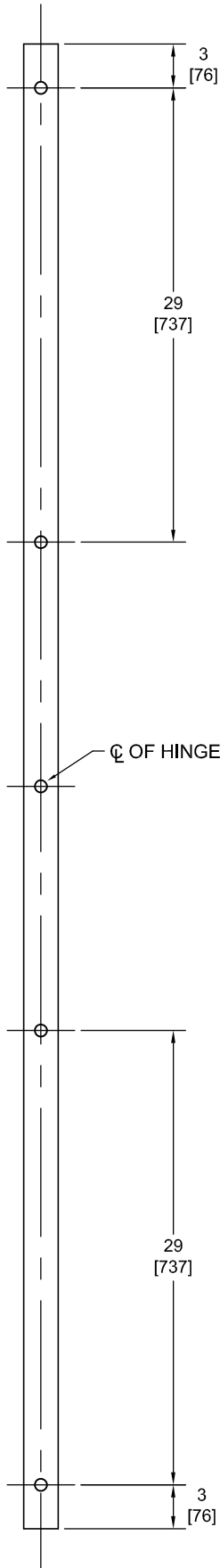
PEMKO Template Full Mortise Continuous Geared Aluminum Hinges CFM120SLF-HD/DFM120SLF-HD are made to conform to this drawing.

PEMKO CFM120SLF-HD/DFM120SLF-HD hinges can be supplied with Electric Functions - See Electrical Application Section.

Machine Screw Size - No. 12-24 x 7/16 FHUC Thread-forming.

PEMKO Continuous Geared Aluminum Hinges are Listed for fire applications up to 90 minutes without special preparation; for 3 hour openings using hollow metal doors and hollow metal frames on Masonry/Drywall, Fire Pins (supplied separately) must be used. See back for locations.

Fire Pin Application



Concealed Circuit (CC) Application

SEE ELECTRICAL APPLICATION SECTION
IN TECHNICAL MANUAL

Magnetic Monitor (MM) Application

SEE ELECTRICAL APPLICATION SECTION
IN TECHNICAL MANUAL