

Effective Date: November 2003

FM79SLI-HD

TEMPLATE FULL MORTISE CONTINUOUS GEARED ALUMINUM HINGE

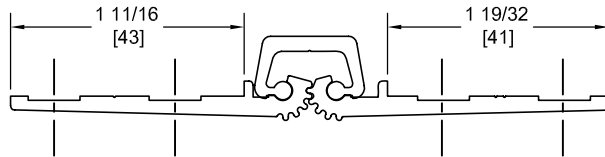
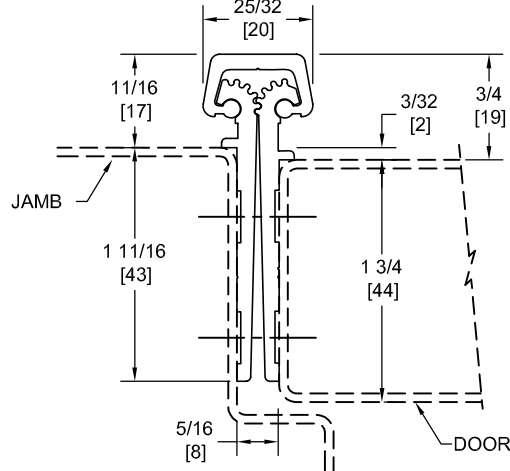
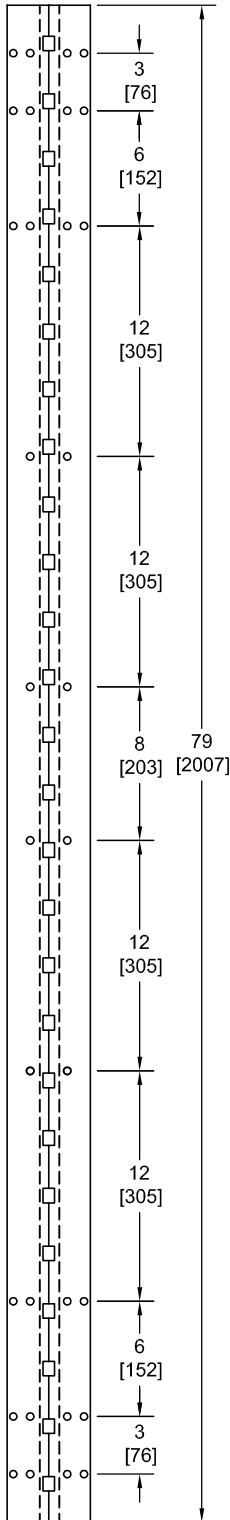


Fire Rated
Classified & Listed to
meet the requirements of
Standards UL10B, UL10C,
UBC7-2, Part I & BS476

POSITIVE PRESSURE

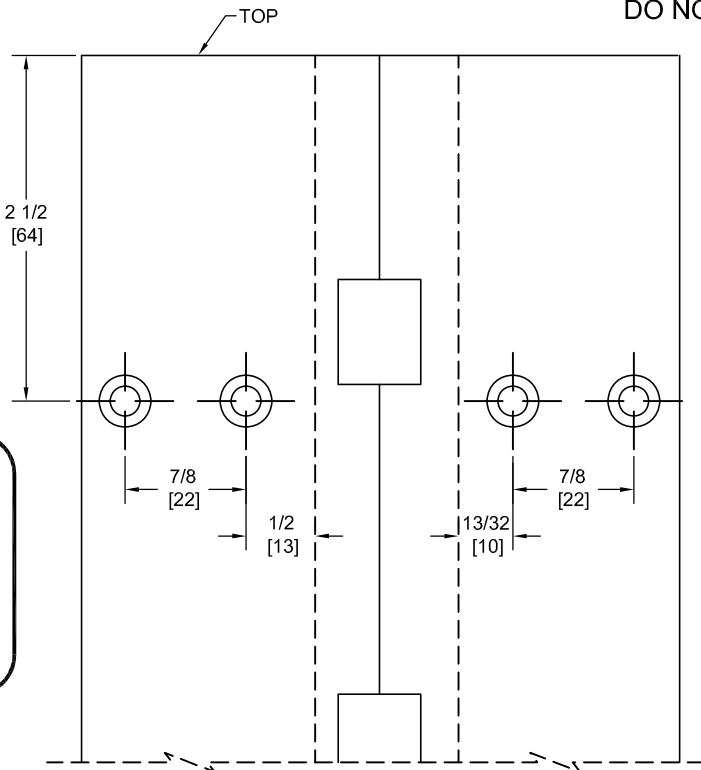
**SPECIAL ORDER:
79" HOLE PATTERN**

Minimum of 50 Units/Order
Is Required For This Hole
Pattern. Lessor Quantity
Will Be Cut Down From
83" Hinges. Refer to 83"
Cut Down Instruction.



DO NOT SCALE

**** CAUTION ****
Due To Frame
Installation
Variations,
Pre-drilling
For Fasteners
Is Not
Recommended



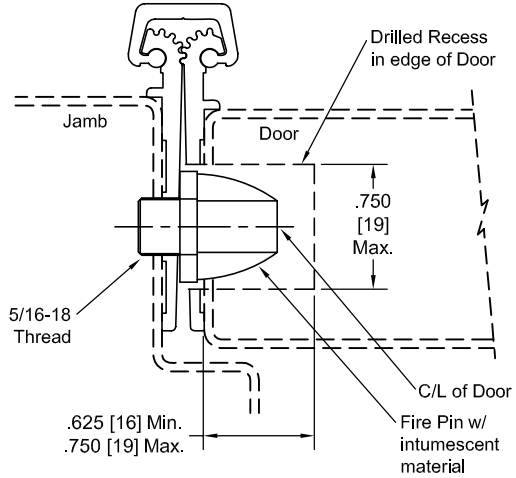
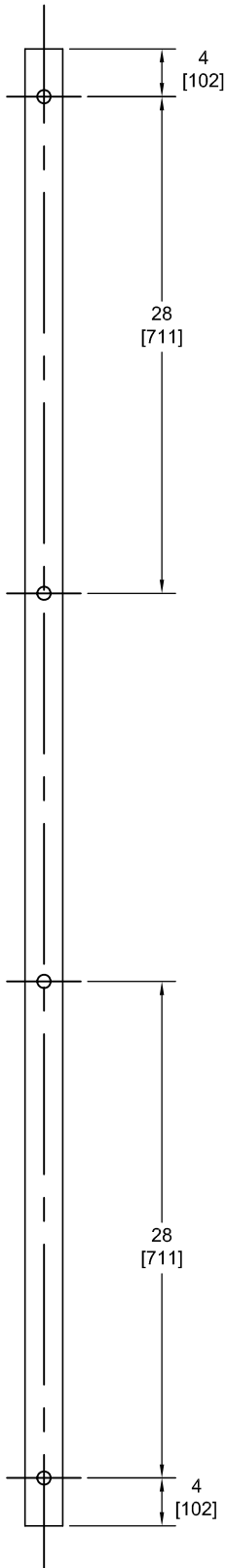
PEMKO Template Full Mortise Continuous Geared Aluminum Hinges CFM79SLI-HD/DFM79SLI-HD are made to conform to this drawing.

PEMKO CFM79SLI-HD/DFM79SLI-HD hinges can be supplied with Electric Functions - See Electrical Application Section.

Machine Screw Size - No. 12-24 x 7/16 FHUC Thread-forming.

PEMKO Continuous Geared Aluminum Hinges are Listed for fire applications up to 90 minutes without special preparation; for 3 hour openings using hollow metal doors and hollow metal frames on Masonry/Drywall, Fire Pins (supplied separately) must be used. See back for locations.

Fire Pin Application



Concealed Circuit (CC) Application

SEE ELECTRICAL APPLICATION SECTION
IN TECHNICAL MANUAL

Magnetic Monitor (MM) Application

SEE ELECTRICAL APPLICATION SECTION
IN TECHNICAL MANUAL

Effective Date: November 2003

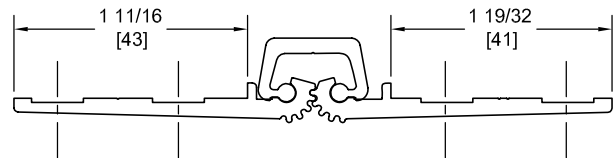
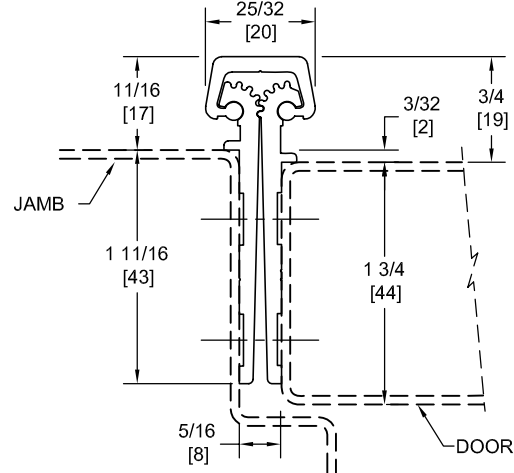
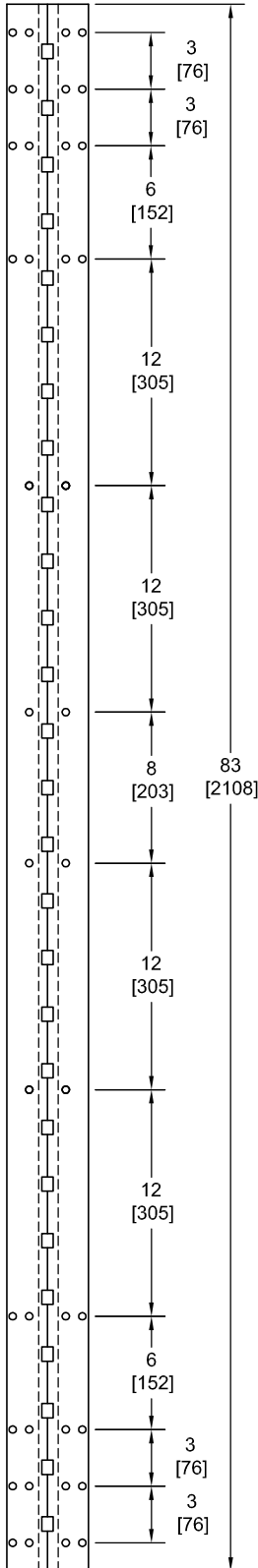
FM83SLI-HD

TEMPLATE FULL MORTISE CONTINUOUS GEARED ALUMINUM HINGE

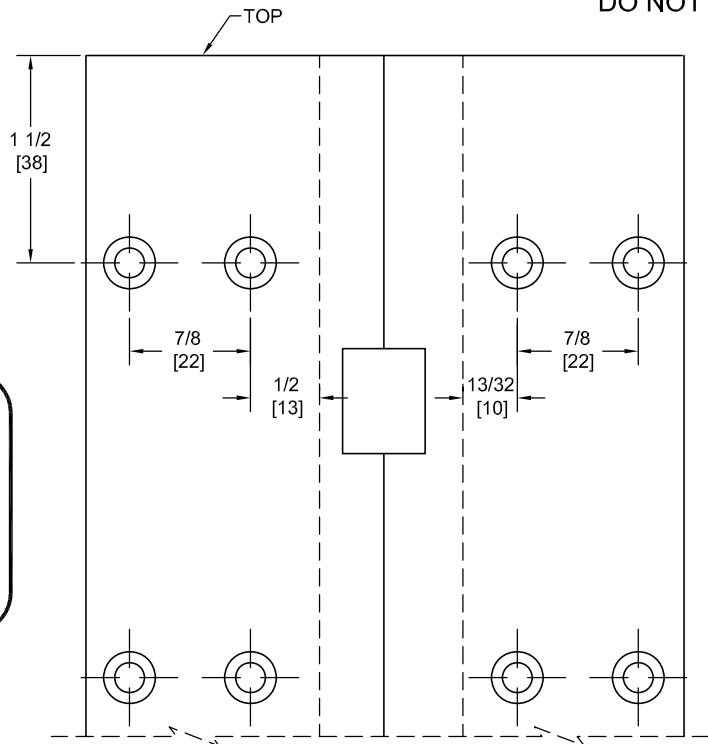


Fire Rated
Classified & Listed to meet the requirements of Standards UL10B, UL10C, UBC7-2, Part I & BS476

POSITIVE PRESSURE



DO NOT SCALE



**** CAUTION ****
Due To Frame Installation Variations, Pre-drilling For Fasteners Is Not Recommended

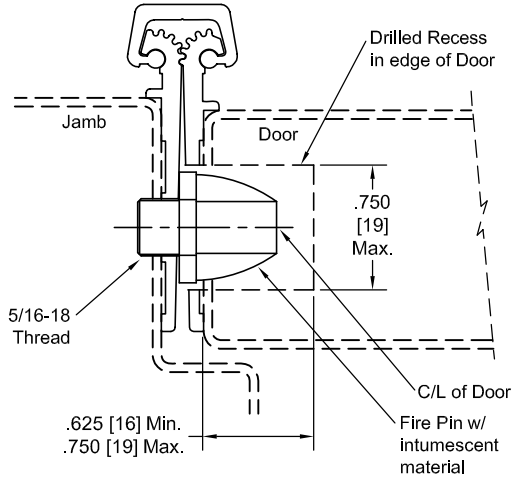
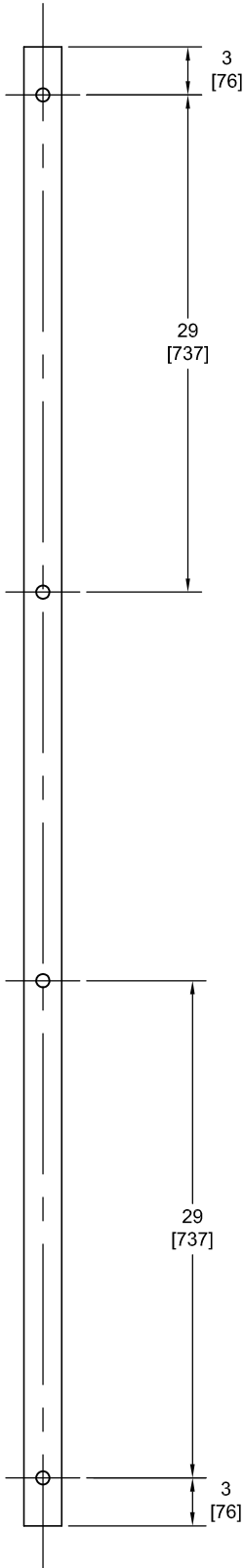
PEMKO Template Full Mortise Continuous Geared Aluminum Hinges CFM83SLI-HD/DFM83SLI-HD are made to conform to this drawing.

PEMKO CFM83SLI-HD/DFM83SLI-HD hinges can be supplied with Electric Functions - See Electrical Application Section.

Machine Screw Size - No. 12-24 x 7/16 FHUC Thread-forming.

PEMKO Continuous Geared Aluminum Hinges are Listed for fire applications up to 90 minutes without special preparation; for 3 hour openings using hollow metal doors and hollow metal frames on Masonry/Drywall, Fire Pins (supplied separately) must be used. See back for locations.

Fire Pin Application



Concealed Circuit (CC) Application

SEE ELECTRICAL APPLICATION SECTION
IN TECHNICAL MANUAL

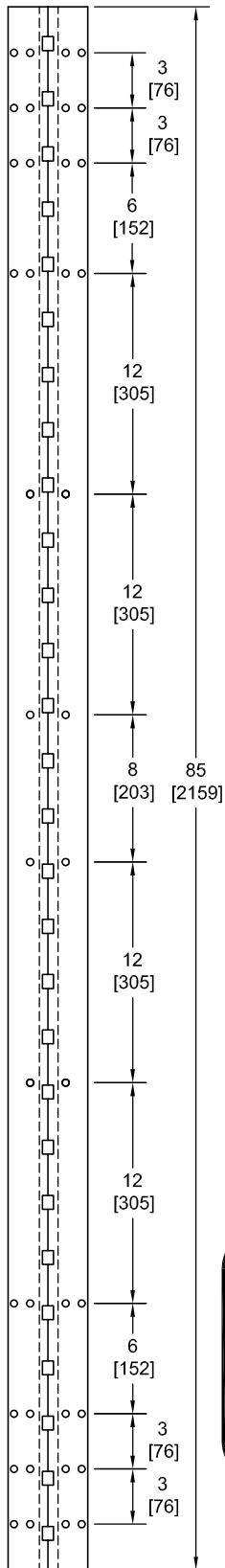
Magnetic Monitor (MM) Application

SEE ELECTRICAL APPLICATION SECTION
IN TECHNICAL MANUAL

Effective Date: November 2003

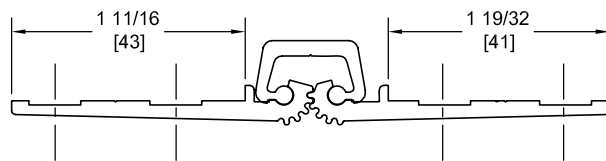
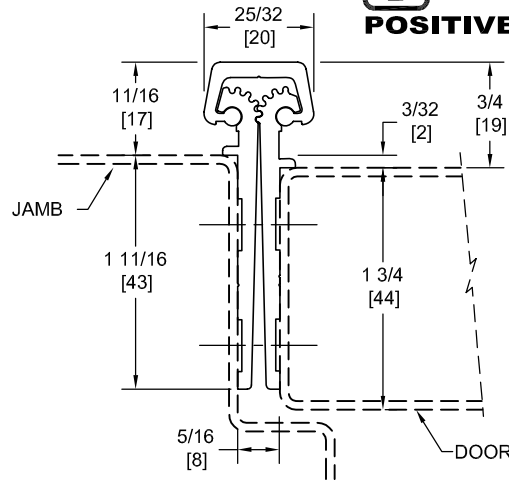
FM85SLI-HD

TEMPLATE FULL MORTISE CONTINUOUS GEARED ALUMINUM HINGE

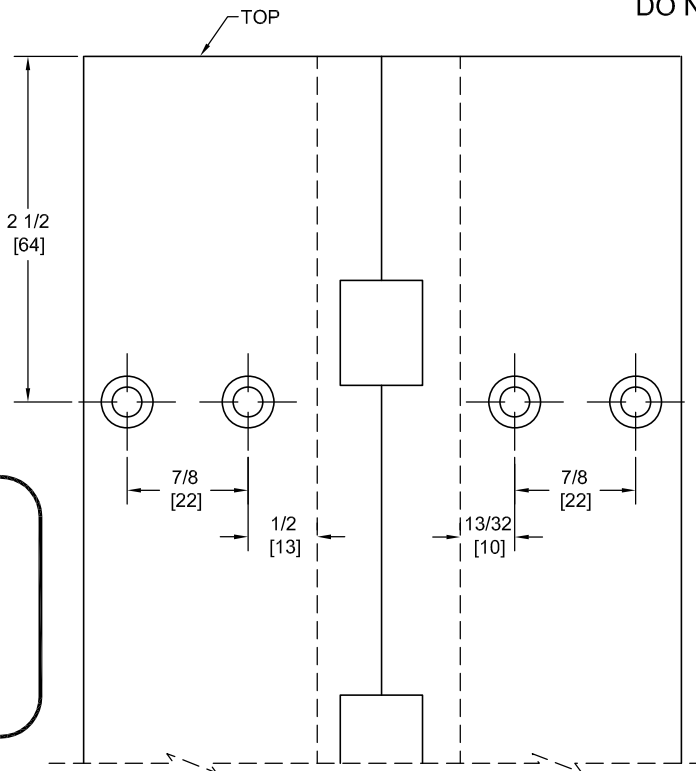


Fire Rated
Classified & Listed to meet the requirements of Standards UL10B, UL10C, UBC7-2, Part I & BS476

POSITIVE PRESSURE



DO NOT SCALE



**** CAUTION ****
Due To Frame Installation Variations, Pre-drilling For Fasteners Is Not Recommended

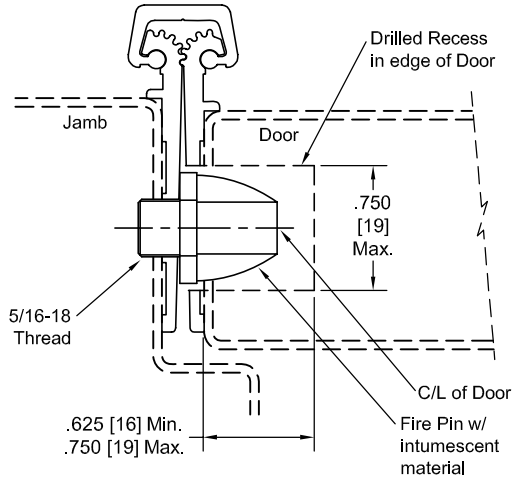
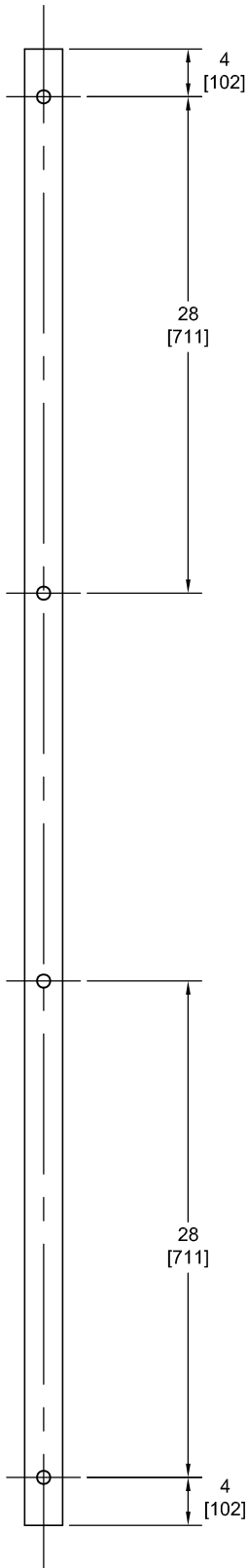
PEMKO Template Full Mortise Continuous Geared Aluminum Hinges CFM85SLI-HD/DFM85SLI-HD are made to conform to this drawing.

PEMKO CFM85SLI-HD/DFM85SLI-HD hinges can be supplied with Electric Functions - See Electrical Application Section.

Machine Screw Size - No. 12-24 x 7/16 FHUC Thread-forming.

PEMKO Continuous Geared Aluminum Hinges are Listed for fire applications up to 90 minutes without special preparation; for 3 hour openings using hollow metal doors and hollow metal frames on Masonry/Drywall, Fire Pins (supplied separately) must be used. See back for locations.

Fire Pin Application



Concealed Circuit (CC) Application

SEE ELECTRICAL APPLICATION SECTION
IN TECHNICAL MANUAL

Magnetic Monitor (MM) Application

SEE ELECTRICAL APPLICATION SECTION
IN TECHNICAL MANUAL

Effective Date: November 2003

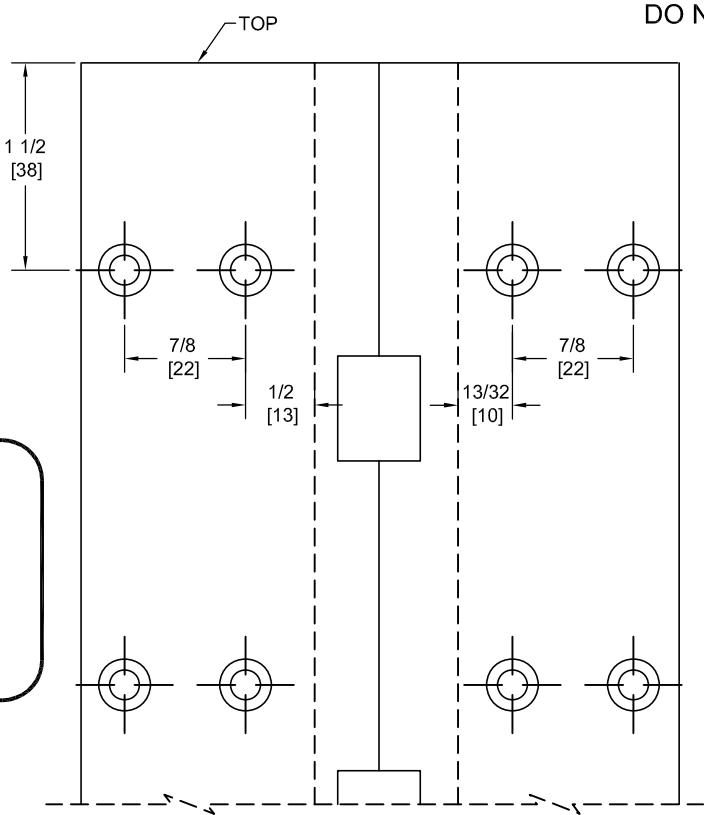
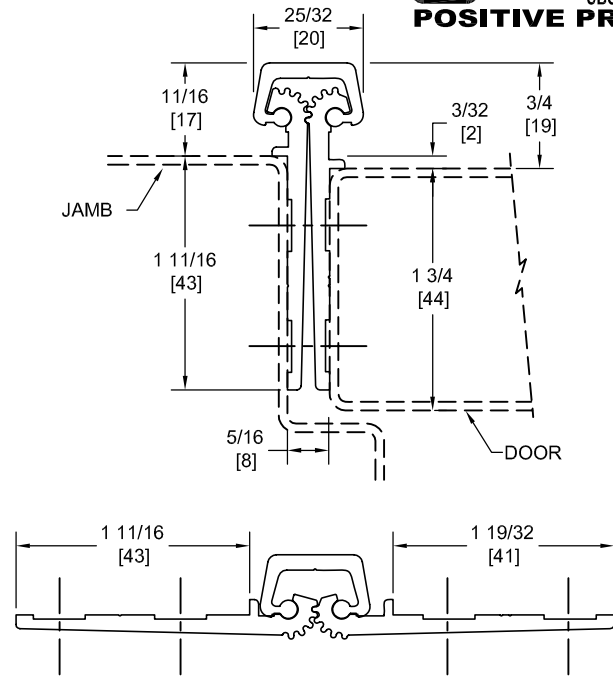
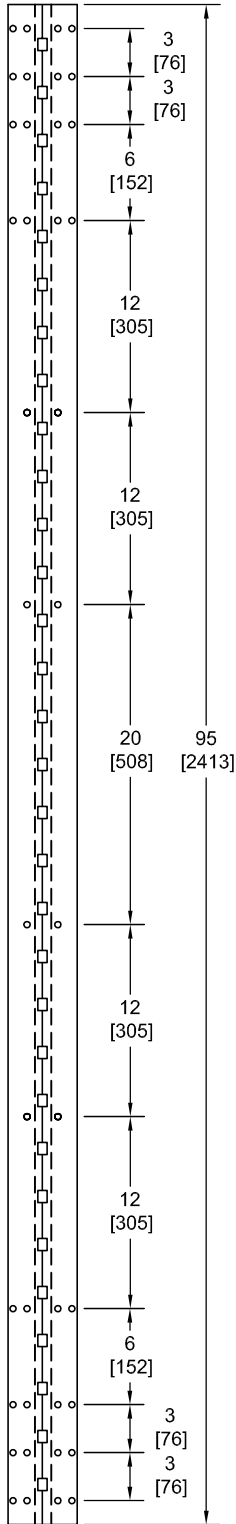
FM95SLI-HD

TEMPLATE FULL MORTISE CONTINUOUS GEARED ALUMINUM HINGE



Fire Rated
Classified & Listed to meet the requirements of Standards UL10B, UL10C, UBC7-2, Part I & BS476

POSITIVE PRESSURE



DO NOT SCALE

**** CAUTION ****
Due To Frame Installation Variations, Pre-drilling For Fasteners Is Not Recommended

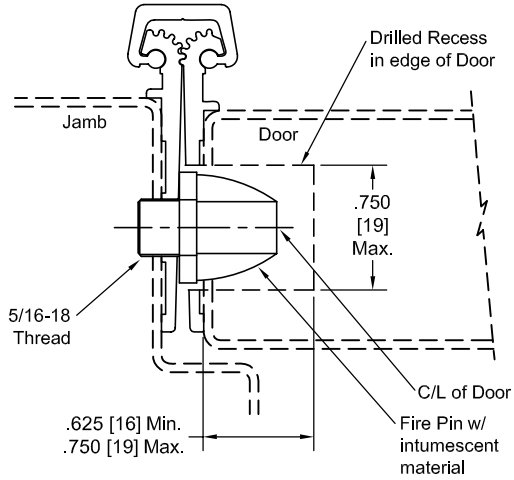
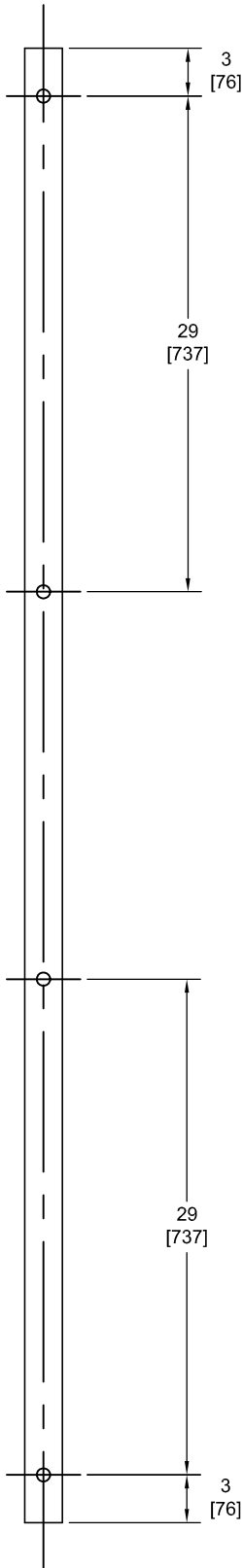
PEMKO Template Full Mortise Continuous Geared Aluminum Hinges CFM95SLI-HD/DFM95SLI-HD are made to conform to this drawing.

PEMKO CFM95SLI-HD/DFM95SLI-HD hinges can be supplied with Electric Functions - See Electrical Application Section.

Machine Screw Size - No. 12-24 x 7/16 FHUC Thread-forming.

PEMKO Continuous Geared Aluminum Hinges are Listed for fire applications up to 90 minutes without special preparation; for 3 hour openings using hollow metal doors and hollow metal frames on Masonry/Drywall, Fire Pins (supplied separately) must be used. See back for locations.

Fire Pin Application



Concealed Circuit (CC) Application

SEE ELECTRICAL APPLICATION SECTION
IN TECHNICAL MANUAL

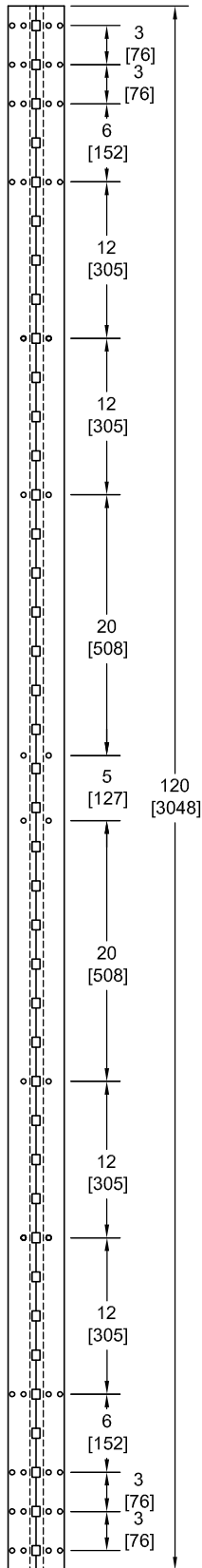
Magnetic Monitor (MM) Application

SEE ELECTRICAL APPLICATION SECTION
IN TECHNICAL MANUAL

Effective Date: November 2003

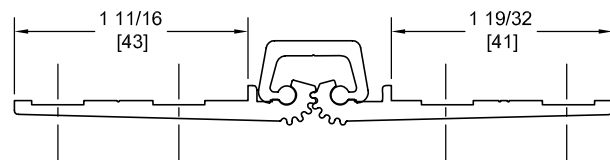
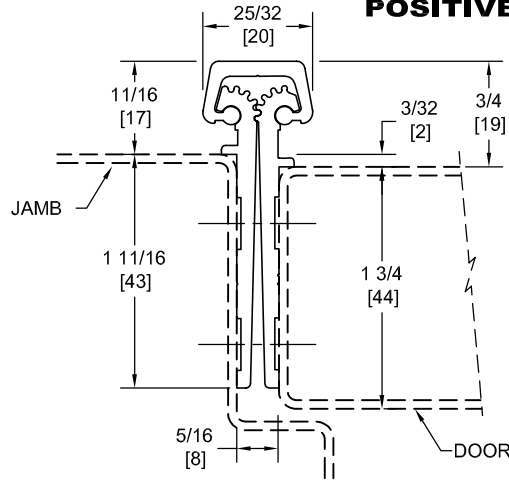
FM120SLI-HD

TEMPLATE FULL MORTISE CONTINUOUS GEARED ALUMINUM HINGE



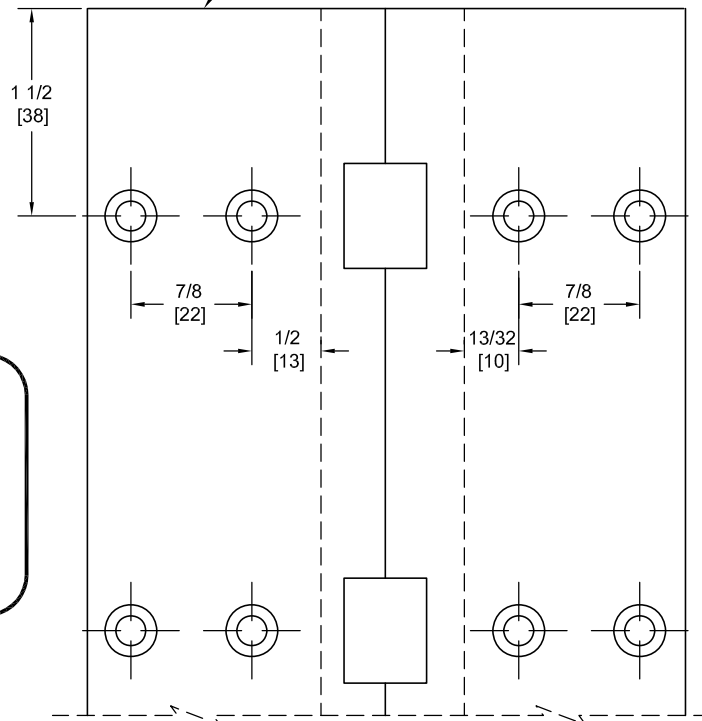
Fire Rated
Classified & Listed to meet the requirements of Standards UL10B, UL10C, UBC7-2, Part I & BS476

POSITIVE PRESSURE



TOP

DO NOT SCALE



**** CAUTION ****
Due To Frame Installation Variations, Pre-drilling For Fasteners Is Not Recommended

PEMKO Template Full Mortise Continuous Geared Aluminum Hinges CFM120SLI-HD/DFM120SLI-HD are made to conform to this drawing.

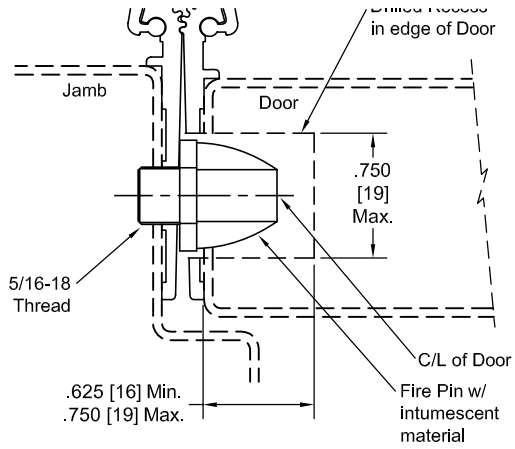
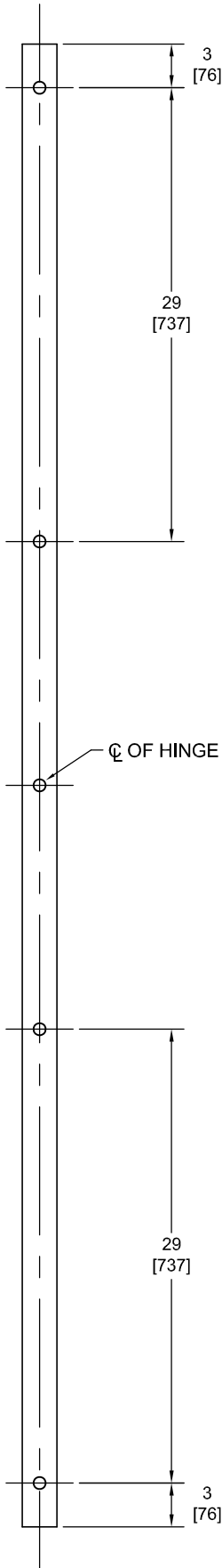
PEMKO CFM120SLI-HD/DFM120SLI-HD hinges can be supplied with Electric Functions - See Electrical Application Section.

Machine Screw Size - No. 12-24 x 7/16 FHUC Thread-forming.

PEMKO Continuous Geared Aluminum Hinges are Listed for fire applications up to 90 minutes without special preparation; for 3 hour openings using hollow metal doors and hollow metal frames on Masonry/Drywall, Fire Pins (supplied separately) must be used. See back for locations.

Manufacturer reserves the right to make changes without formal notice.

Fire Pin Application



Concealed Circuit (CC) Application

SEE ELECTRICAL APPLICATION SECTION
IN TECHNICAL MANUAL

Magnetic Monitor (MM) Application

SEE ELECTRICAL APPLICATION SECTION
IN TECHNICAL MANUAL