

Effective Date: November 2003

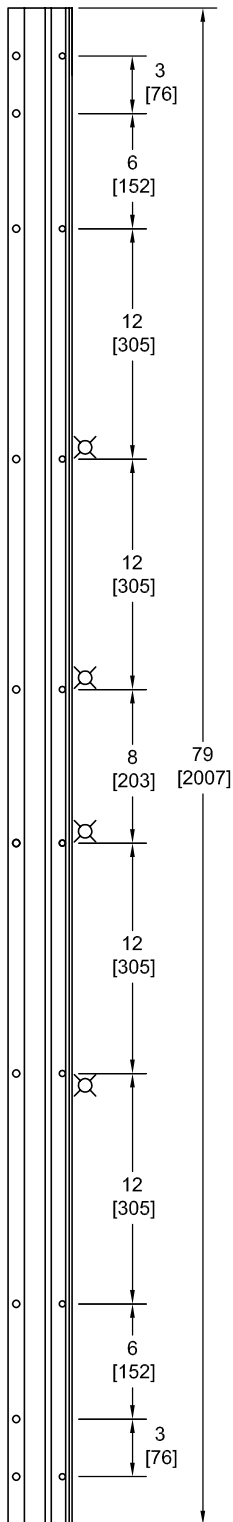
# FS79HD

## TEMPLATE FULL SURFACE CONTINUOUS GEARED ALUMINUM HINGE



**Fire Rated**  
Classified & Listed to meet the requirements of Standards UL10B, UL10C, UBC7-2, Part I & BS476

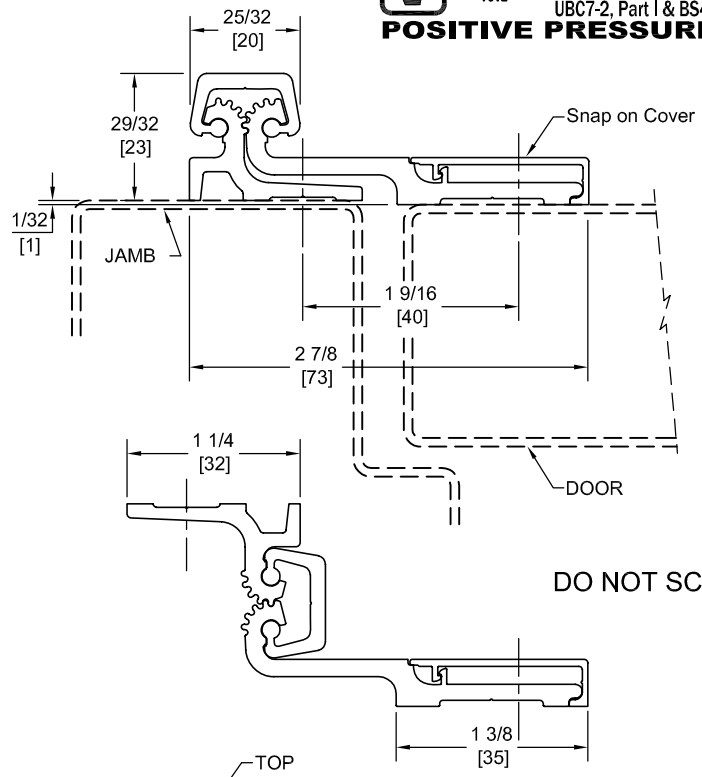
**POSITIVE PRESSURE**



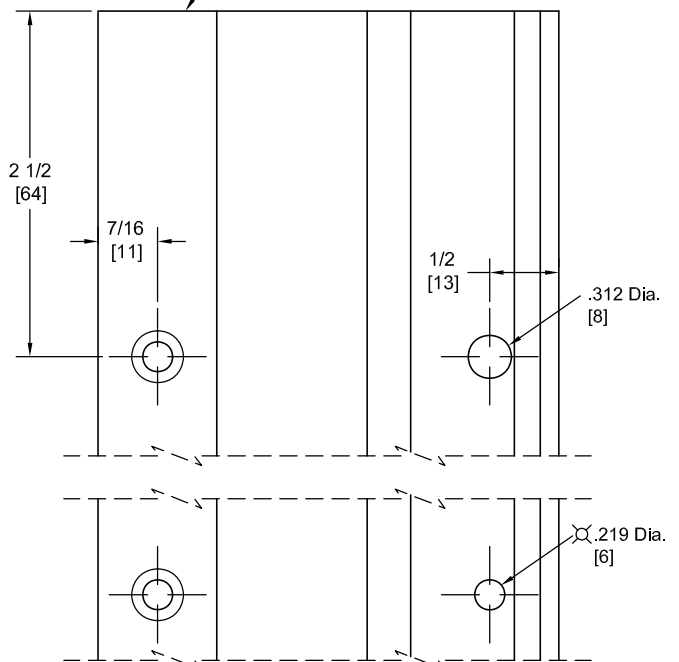
**SPECIAL ORDER:**  
**79" HOLE PATTERN**

Minimum of 50 Units/Order Is Required For This Hole Pattern. Lessor Quantity Will Be Cut Down From 83" Hinges. Refer to 83" Cut Down Instruction.

**\*\* CAUTION \*\***  
Due To Frame Installation Variations, Pre-drilling For Fasteners Is Not Recommended



DO NOT SCALE

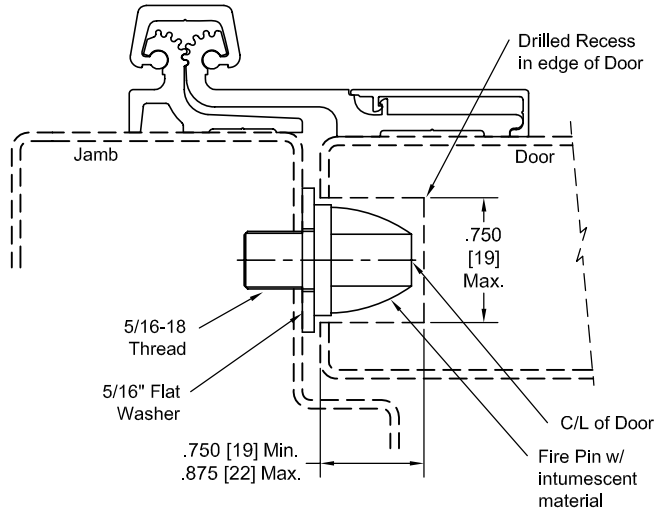
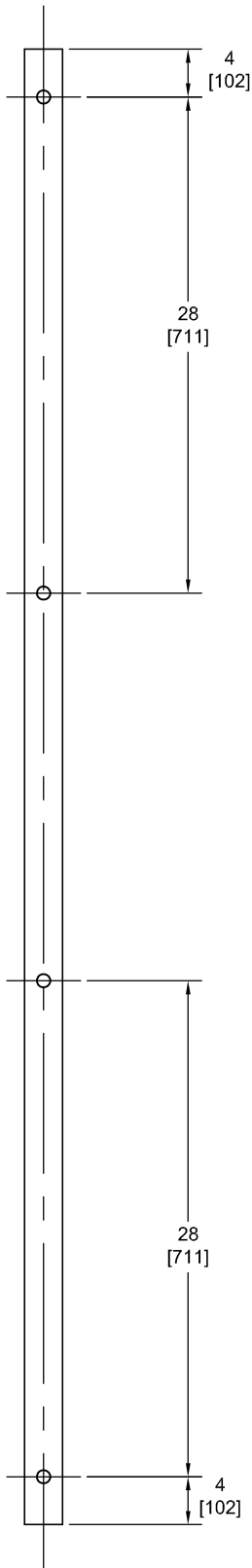


PEMKO Template Full Surface Continuous Geared Aluminum Hinges CFS79HD/DFS79HD are made to conform to this drawing. ☒ = Locator Holes  
PEMKO CFS79HD/DFS79HD hinges can be supplied with Electric Functions - See Electrical Application Section.

- Machine Screw Size - Jamb Leaf - No. 12-24 x 7/16 FHUC Thread-forming.
- Door Leaf - No. 12-24 x 3/4 Pan Head Self-drilling.
- No. 10 x 1 -1/2 Truss Head SMS.
- No. 1/4-20 x 1 PCH Shoulder Screws w/ No. 1/4-20 x 1 5/8 Thru Bolts.

PEMKO Continuous Geared Aluminum Hinges are Listed for fire applications up to 90 minutes without special preparation; for 3 hour openings using hollow metal doors and hollow metal frames on Masonry/Drywall, Fire Pins (supplied separately) must be used. See back for locations.

Fire Pin Application



Concealed Circuit (CC) Application

SEE ELECTRICAL APPLICATION SECTION  
IN TECHNICAL MANUAL

Magnetic Monitor (MM) Application

SEE ELECTRICAL APPLICATION SECTION  
IN TECHNICAL MANUAL

Effective Date: November 2003

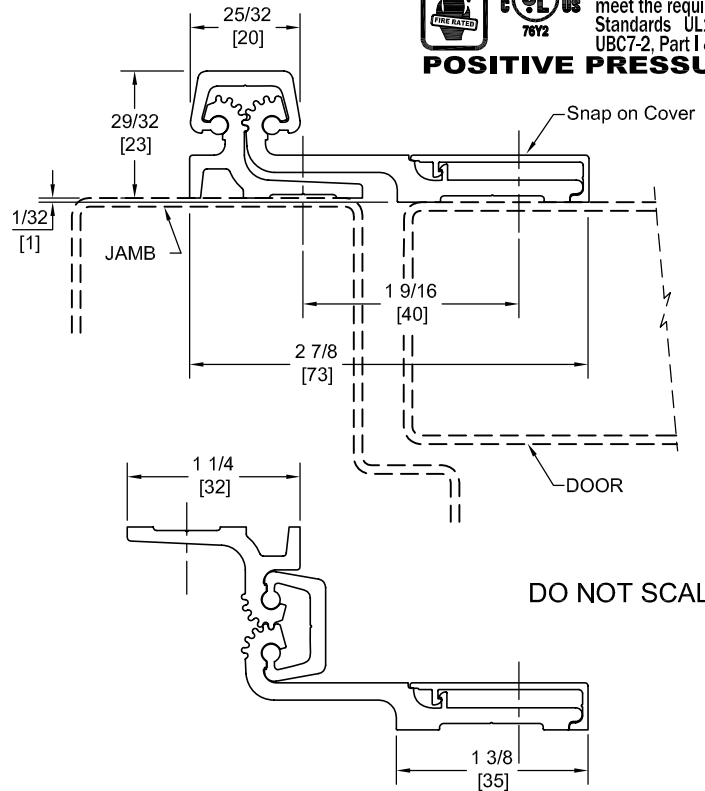
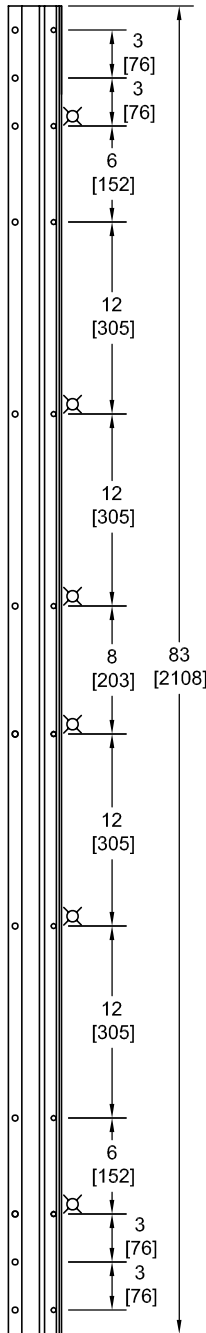
**FS83HD**

**TEMPLATE FULL SURFACE CONTINUOUS GEARED ALUMINUM HINGE**

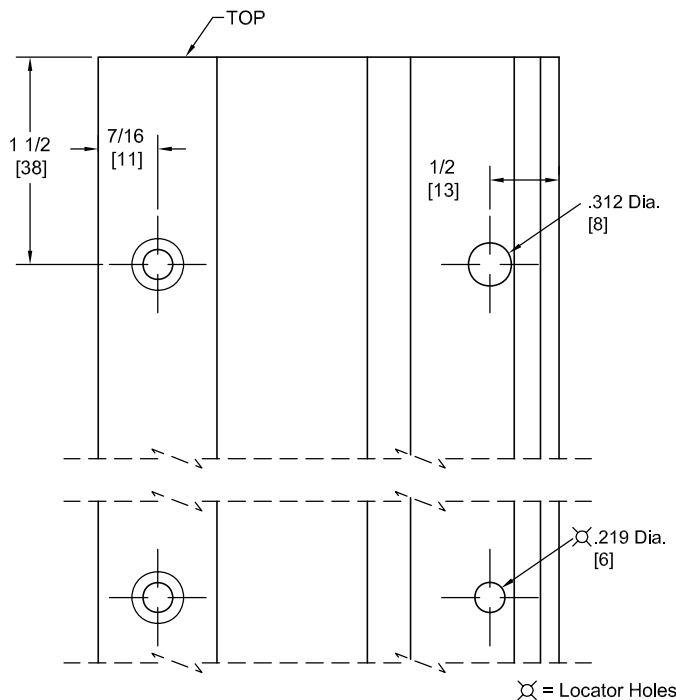


**Fire Rated**  
Classified & Listed to  
meet the requirements of  
Standards UL10B, UL10C,  
UBC7-2, Part I & BS476

**POSITIVE PRESSURE**



DO NOT SCALE



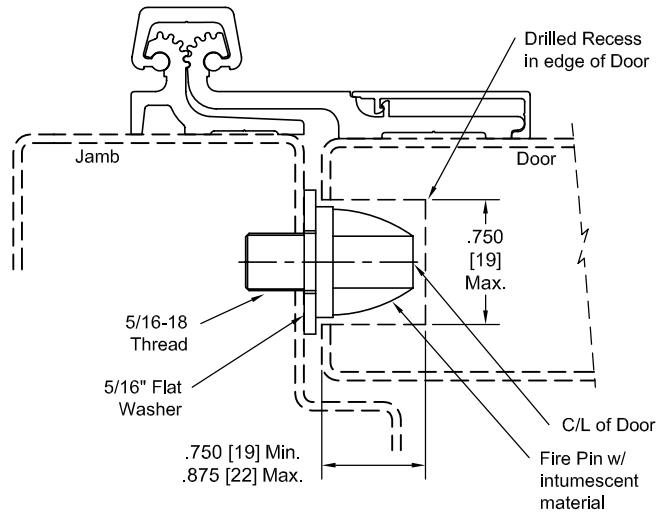
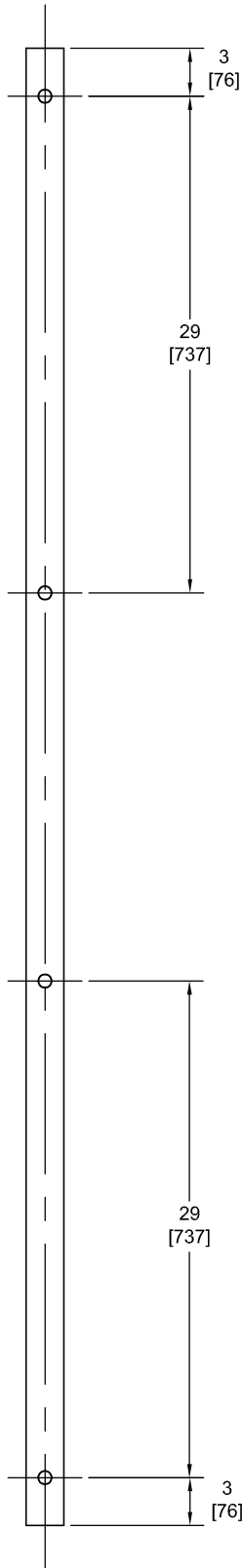
**\*\* CAUTION \*\***  
Due To Frame  
Installation  
Variations,  
Pre-drilling  
For Fasteners  
Is Not  
Recommended

PEMKO Template Full Surface Continuous Geared Aluminum Hinges CFS83HD/DFS83HD are made to conform to this drawing.  
PEMKO CFS83HD/DFS83HD hinges can be supplied with Electric Functions - See Electrical Application Section.  
Machine Screw Size - Jamb Leaf - No. 12-24 x 7/16 FHUC Thread-forming.  
- Door Leaf - No. 12-24 x 3/4 Pan Head Self-drilling.  
- No. 10 x 1 -1/2 Truss Head SMS.  
- No. 1/4-20 x 1 PCH Shoulder Screws w/ No. 1/4-20 x 1 5/8 Thru Bolts.

PEMKO Continuous Geared Aluminum Hinges are Listed for fire applications up to 90 minutes without special preparation; for 3 hour openings using hollow metal doors and hollow metal frames on Masonry/Drywall, Fire Pins (supplied separately) must be used. See back for locations.

Manufacturer reserves the right to make changes without formal notice.

Fire Pin Application



Concealed Circuit (CC) Application

SEE ELECTRICAL APPLICATION SECTION  
IN TECHNICAL MANUAL

Magnetic Monitor (MM) Application

SEE ELECTRICAL APPLICATION SECTION  
IN TECHNICAL MANUAL

Effective Date: November 2003

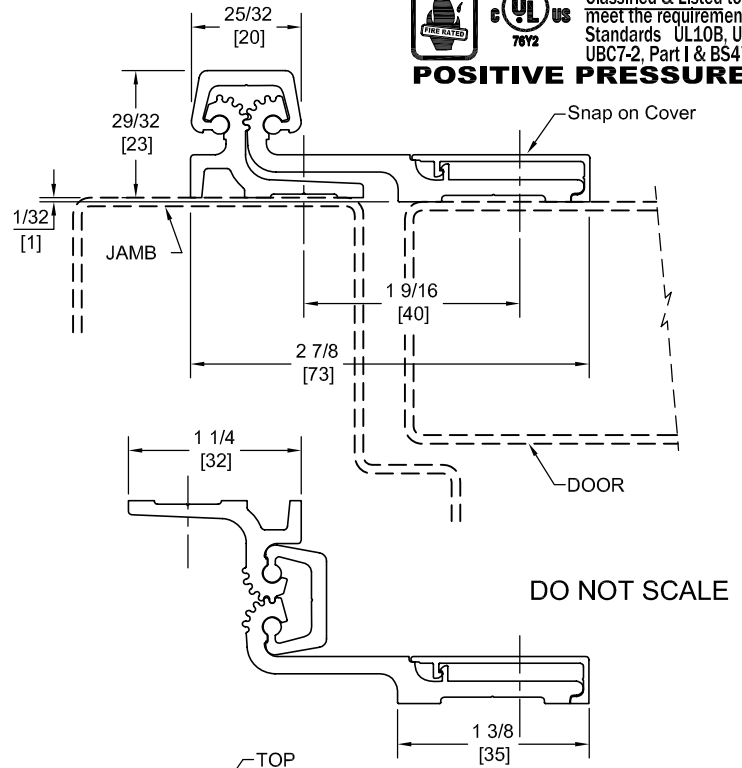
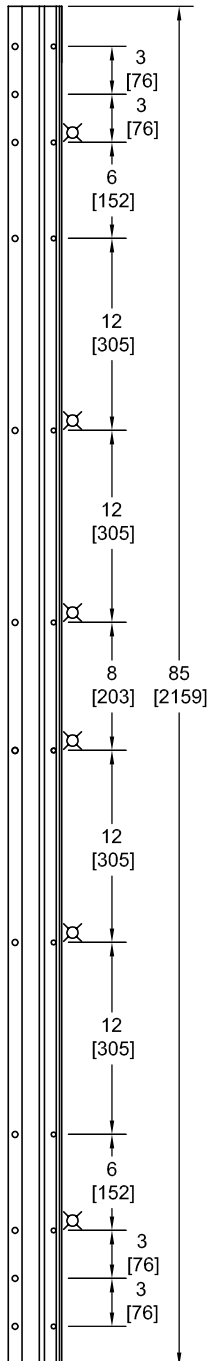
**FS85HD**

**TEMPLATE FULL SURFACE CONTINUOUS GEARED ALUMINUM HINGE**



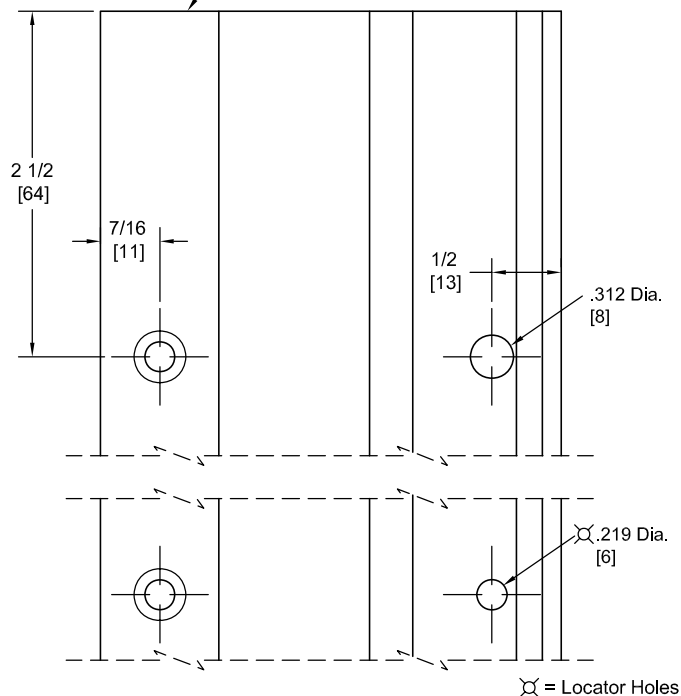
**Fire Rated**  
Classified & Listed to meet the requirements of Standards UL10B, UL10C, UBC7-2, Part I & BS476

**POSITIVE PRESSURE**



DO NOT SCALE

**\*\* CAUTION \*\***  
Due To Frame Installation Variations, Pre-drilling For Fasteners Is Not Recommended



PEMKO Template Full Surface Continuous Geared Aluminum Hinges CFS85HD/DFS85HD are made to conform to this drawing.

PEMKO CFS85HD/DFS85HD hinges can be supplied with Electric Functions - See Electrical Application Section.

Machine Screw Size - Jamb Leaf - No. 12-24 x 7/16 FHUC Thread-forming.

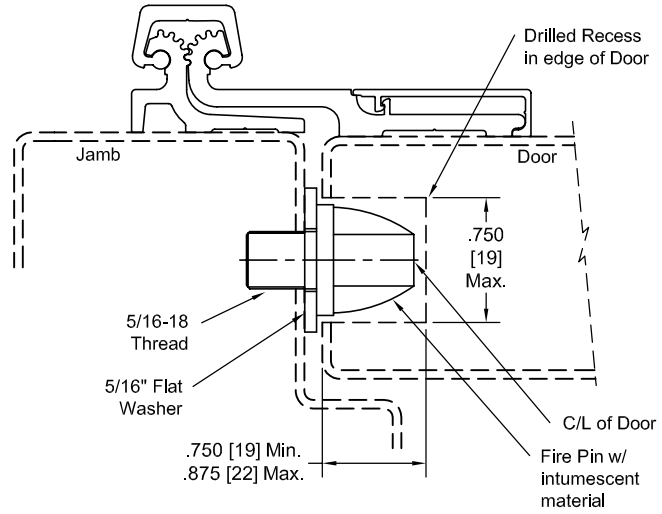
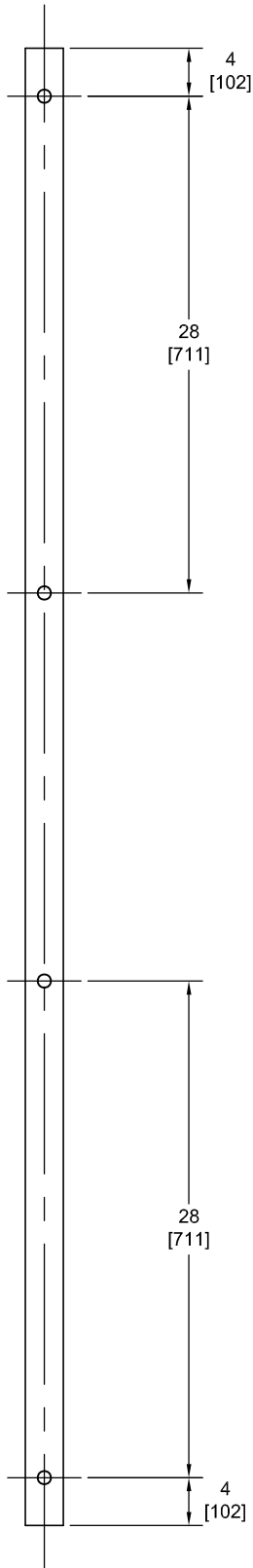
- Door Leaf - No. 12-24 x 3/4 Pan Head Self-drilling.

- No. 10 x 1 -1/2 Truss Head SMS.

- No. 1/4-20 x 1 PCH Shoulder Screws w/ No. 1/4-20 x 1 5/8 Thru Bolts.

PEMKO Continuous Geared Aluminum Hinges are Listed for fire applications up to 90 minutes without special preparation; for 3 hour openings using hollow metal doors and hollow metal frames on Masonry/Drywall, Fire Pins (supplied separately) must be used. See back for locations.

Fire Pin Application



Concealed Circuit (CC) Application

SEE ELECTRICAL APPLICATION SECTION  
IN TECHNICAL MANUAL

Magnetic Monitor (MM) Application

SEE ELECTRICAL APPLICATION SECTION  
IN TECHNICAL MANUAL

Effective Date: November 2003

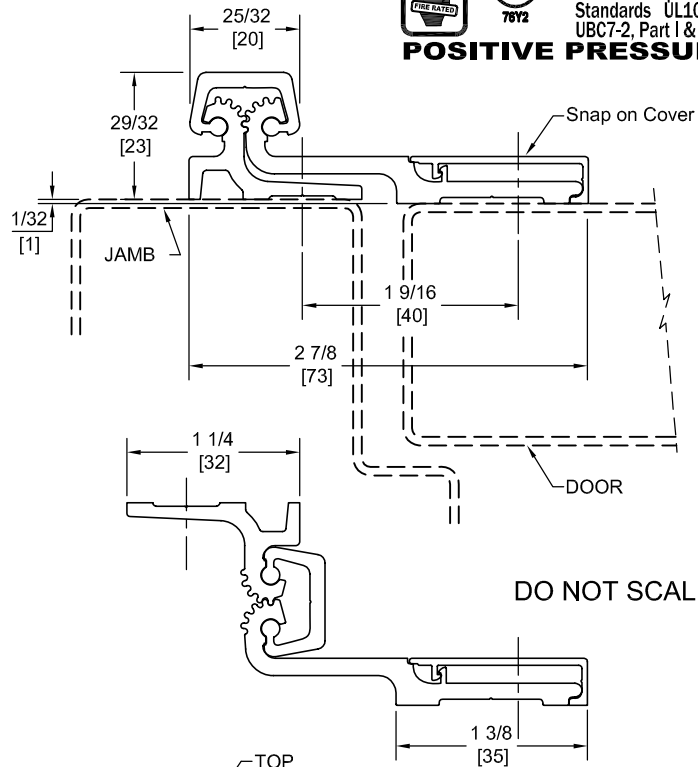
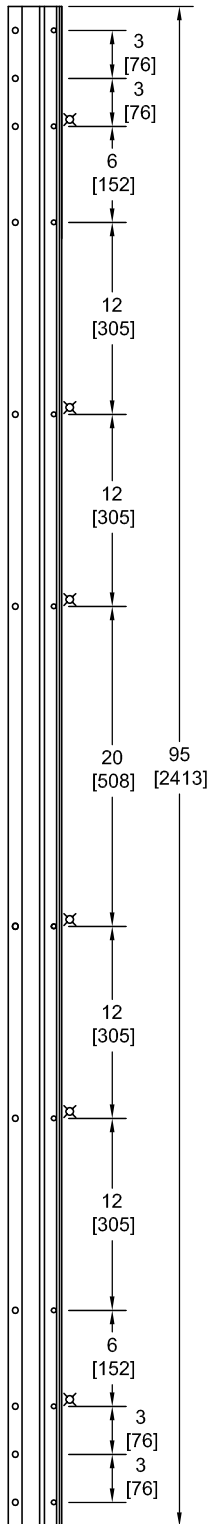
**FS95HD**

**TEMPLATE FULL SURFACE CONTINUOUS GEARED ALUMINUM HINGE**

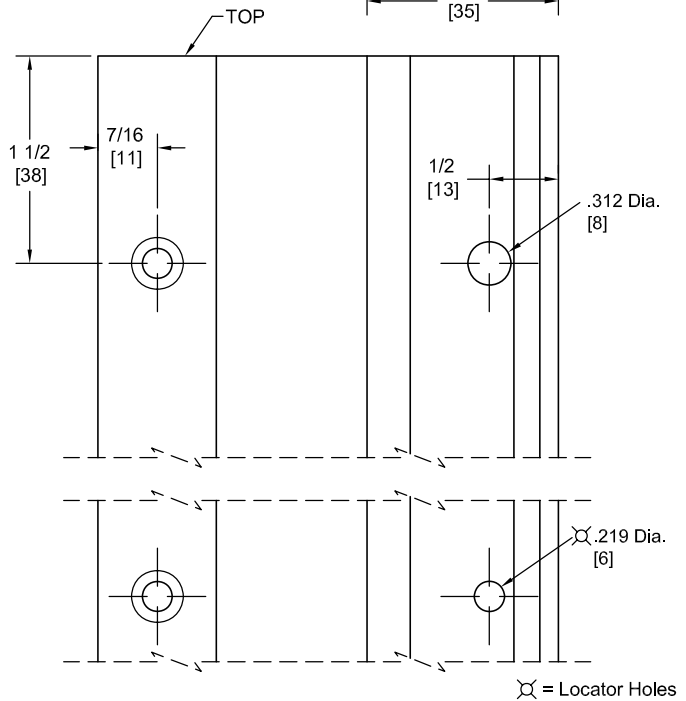


**Fire Rated**  
Classified & Listed to  
meet the requirements of  
Standards UL10B, UL10C,  
UBC7-2, Part I & BS476

**POSITIVE PRESSURE**



DO NOT SCALE



⊗ = Locator Holes

**\*\* CAUTION \*\***  
Due To Frame  
Installation  
Variations,  
Pre-drilling  
For Fasteners  
Is Not  
Recommended

PEMKO Template Full Surface Continuous Geared Aluminum Hinges CFS95HD/DFS95HD are made to conform to this drawing.

PEMKO CFS95HD/DFS95HD hinges can be supplied with Electric Functions - See Electrical Application Section.

Machine Screw Size - Jamb Leaf - No. 12-24 x 7/16 FHUC Thread-forming.

- Door Leaf - No. 12-24 x 3/4 Pan Head Self-drilling.

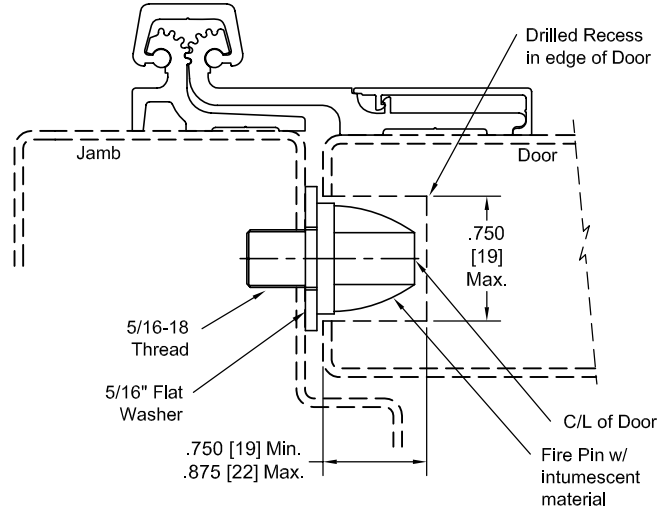
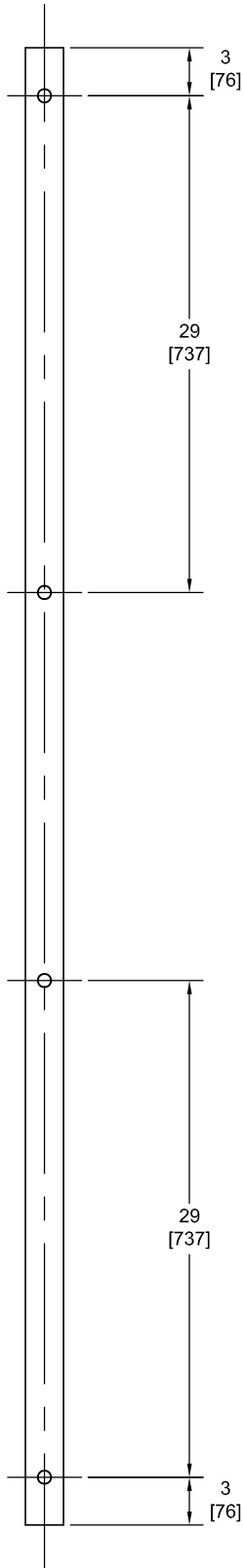
- No. 10 x 1 -1/2 Truss Head SMS.

- No. 1/4-20 x 1 PCH Shoulder Screws w/ No. 1/4-20 x 1 5/8 Thru Bolts.

PEMKO Continuous Geared Aluminum Hinges are Listed for fire applications up to 90 minutes without special preparation; for 3 hour openings using hollow metal doors and hollow metal frames on Masonry/Drywall, Fire Pins (supplied separately) must be used. See back for locations.

Manufacturer reserves the right to make changes without formal notice.

Fire Pin Application



Concealed Circuit (CC) Application

SEE ELECTRICAL APPLICATION SECTION  
IN TECHNICAL MANUAL

Magnetic Monitor (MM) Application

SEE ELECTRICAL APPLICATION SECTION  
IN TECHNICAL MANUAL



Effective Date: November 2003

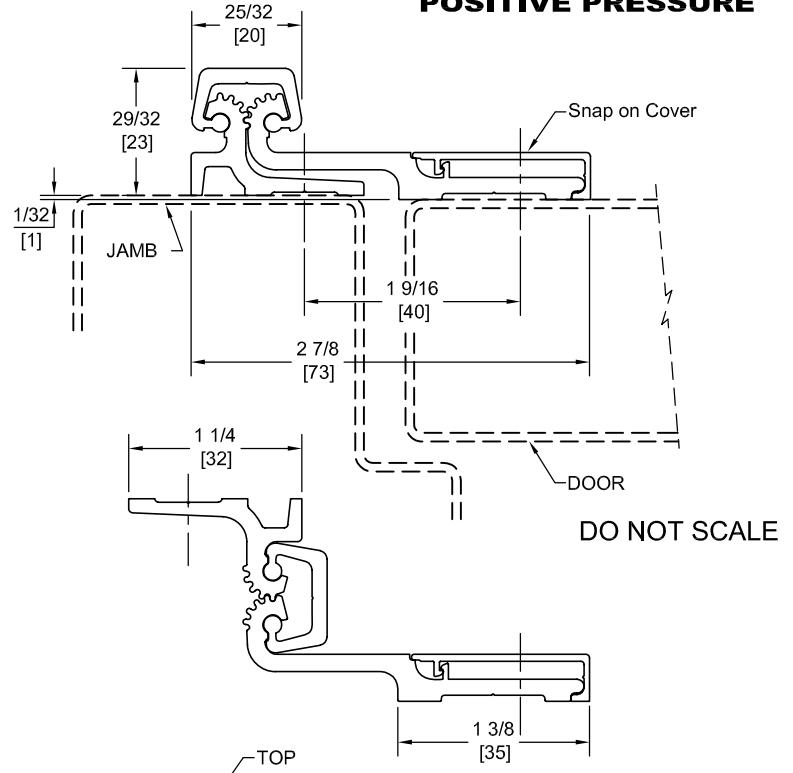
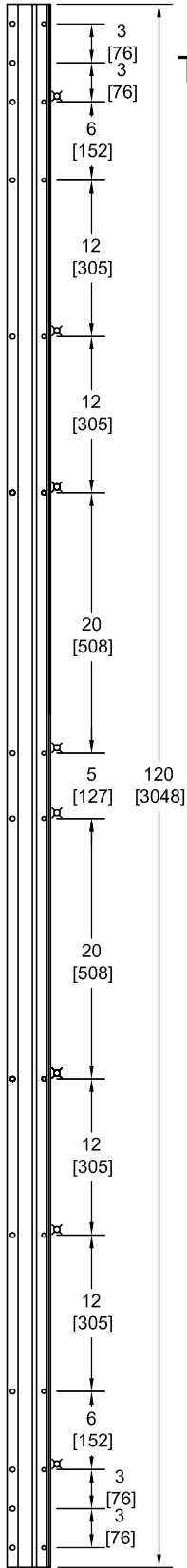
# FS120HD

## TEMPLATE FULL SURFACE CONTINUOUS GEARED ALUMINUM HINGE

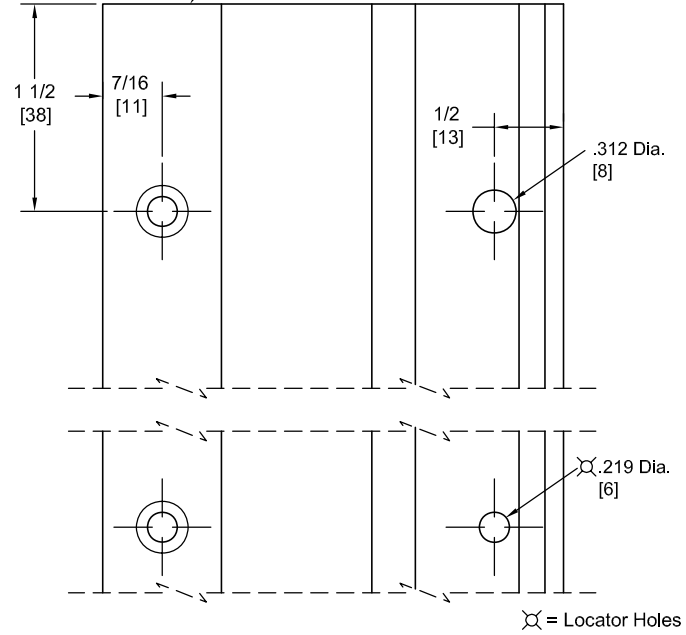


**Fire Rated**  
Classified & Listed to meet the requirements of Standards UL10B, UL10C, UBC7-2, Part I & BS476

**POSITIVE PRESSURE**



**\*\* CAUTION \*\***  
Due To Frame Installation Variations, Pre-drilling For Fasteners Is Not Recommended



PEMKO Template Full Surface Continuous Geared Aluminum Hinges CFS120HD/DFS120HD are made to conform to this drawing.

PEMKO CFS120HD/DFS120HD hinges can be supplied with Electric Functions - See Electrical Application Section.

Machine Screw Size - Jamb Leaf - No. 12-24 x 7/16 FHUC Thread-forming.

- Door Leaf - No. 12-24 x 3/4 Pan Head Self-drilling.

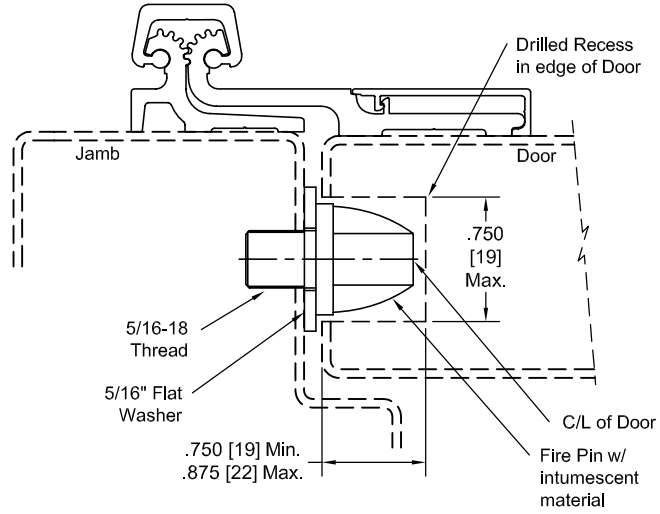
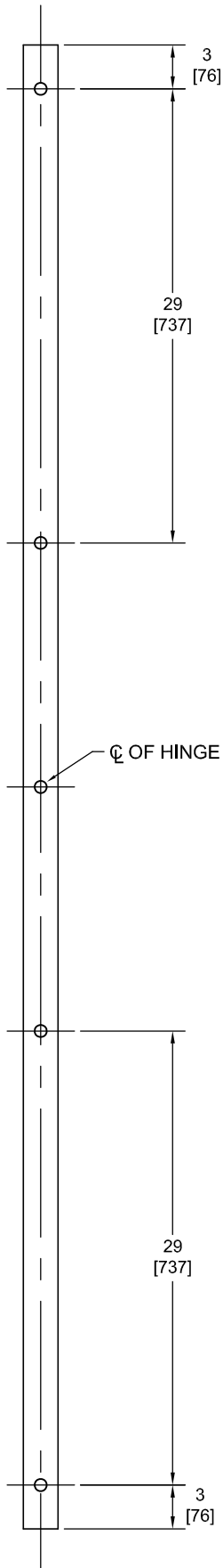
- No. 10 x 1 -1/2 Truss Head SMS.

- No. 1/4-20 x 1 PCH Shoulder Screws w/ No. 1/4-20 x 1 5/8 Thru Bolts.

PEMKO Continuous Geared Aluminum Hinges are Listed for fire applications up to 90 minutes without special preparation; for 3 hour openings using hollow metal doors and hollow metal frames on Masonry/Drywall, Fire Pins (supplied separately) must be used. See back for locations.

Manufacturer reserves the right to make changes without formal notice.

### Fire Pin Application



### Concealed Circuit (CC) Application

SEE ELECTRICAL APPLICATION SECTION  
IN TECHNICAL MANUAL

### Magnetic Monitor (MM) Application

SEE ELECTRICAL APPLICATION SECTION  
IN TECHNICAL MANUAL