



ASSA ABLOY

**PEMKOHINGE™ CONTINUOUS GEARED HINGES:
HALF-MORTISE HINGES:
STANDARD**



AVAILABLE FINISHES: **BL, C, D, PW, SN**

WIDTH: 5/32" (3.9 mm)
(between jamb leaf and door leaf edge)

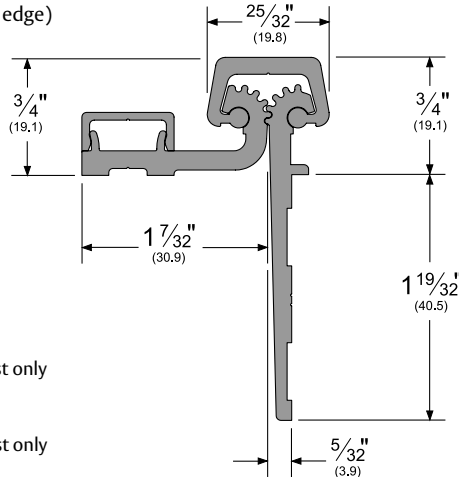
WIDTH: 1-7/32" (30.9 mm)
(jamb side - leaf)

CAP WIDTH: 25/32" (19.8 mm)

HEIGHT: 3/4" (19.1 mm)
(to top cap - jamb side)

HEIGHT: 3/4" (19.1 mm)
(to top cap - door edge side)

HEIGHT: 1-19/32" (40.5 mm)
(to flange - door edge side)



- BL** (Black Anodized) - special request only
- C** (Clear Anodized)
- D** (Dark Bronze Anodized)
- PW** (Painted White) - special request only
- SN** (Satin Nickel Anodized)

TITLE:
PREPARED FOR:
PREPARED BY:
DATE:
COMMENTS:

Copyright © 2008 Pemko Manufacturing Co. All rights reserved.
Reproduction in whole or in part without the express written permission of Pemko Manufacturing Co. is prohibited.