

# ASTRAGALS AND MEETING STILES

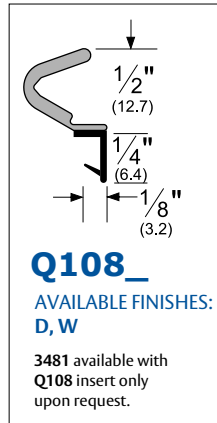
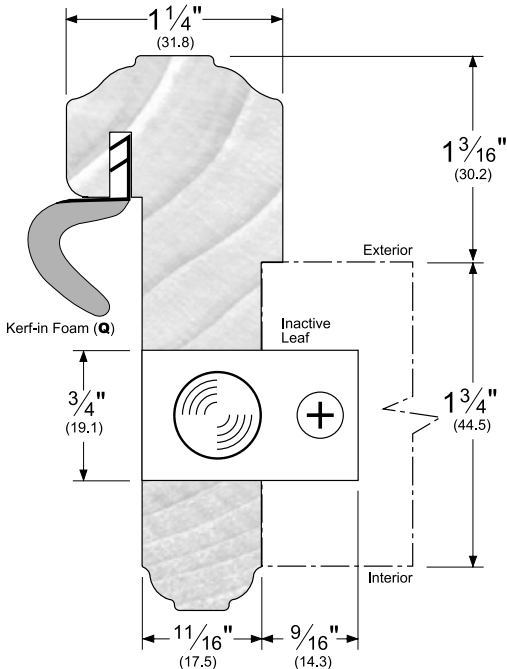
## Locking Wood Astragals

- The two (2) wood options are: **FIR**: Clear fir, stain grade, no knots on visible surfaces. **OAK**: Clear oak, stain grade, no knots on visible surfaces.
- 3481**'s are supplied with a hardware kit including: Two (2) bright brass sliding type flush bolt assemblies (5/16" diameter x 1" long throw bolt) and one 1/2" thick sponge neoprene bottom seal with double faced adhesive for attachment (non-handed).

### 3481\_Q

AVAILABLE FINISHES:

**FIR, OAK**



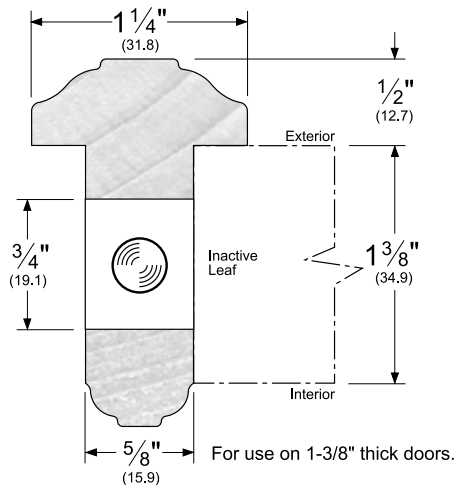
**3483\_** (0 flush bolts)

**34831\_** (1 flush bolt)

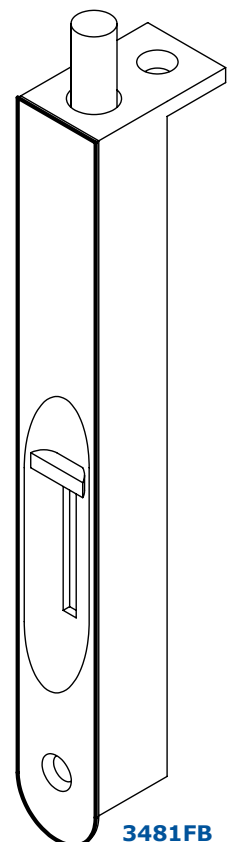
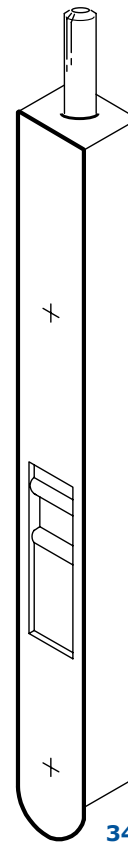
**34832\_** (2 flush bolts)

AVAILABLE FINISHES:

**FIR, OAK**



- Flush bolt face plates for **3483FB** are 3/4" x 7". Face plates for **3481FB** are 3/4" x 6".
- A 3/4" x 9/16" x 1/8" notch at the top of the door is required for the flush bolt mounting flange on **3481FB**.
- Flush bolt assemblies for locking wood astragals can be purchased separately.



Illustrations not to scale.

▲ AVAILABLE FINISHES FOR PRODUCTS SHOWN ON THIS PAGE (see General Information section for finish chart)

Wood Options: **FIR** (Natural Wood) • **OAK** (Natural Wood)  
Special finishes available upon request • Kerf Colors: **D** (Dark Brown) • **W** (White)