

Effective Date: November 2003

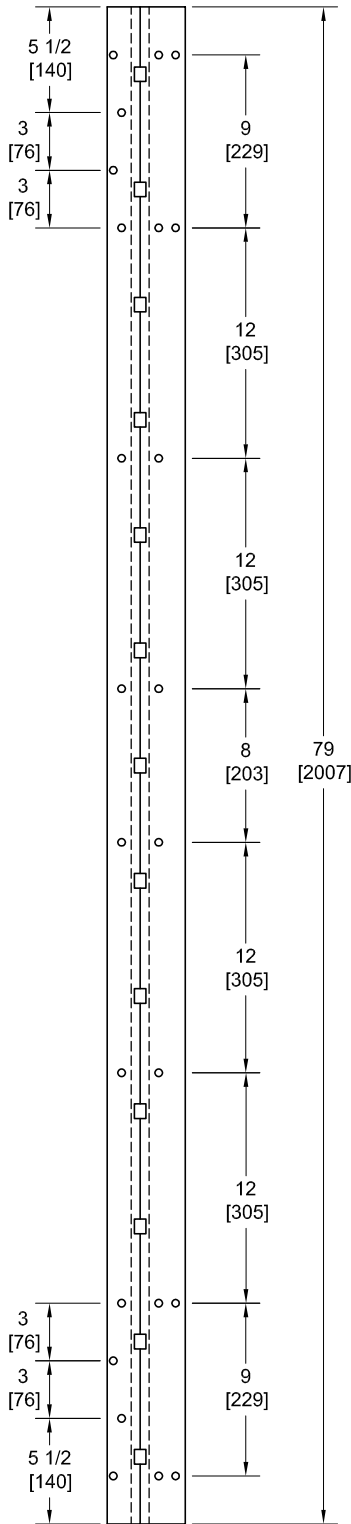
SPFM79SLF

TEMPLATE FULL MORTISE CONTINUOUS GEARED ALUMINUM HINGE



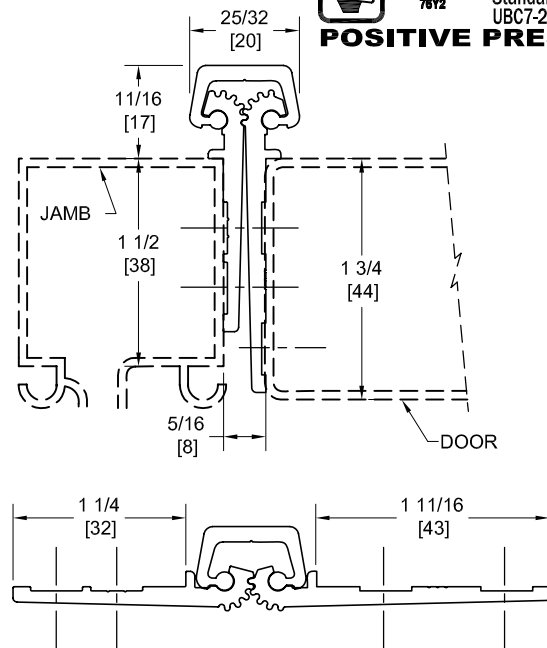
Fire Rated
Classified & Listed to meet the requirements of Standards UL10B, UL10C, UBC7-2, Part I & BS476

POSITIVE PRESSURE

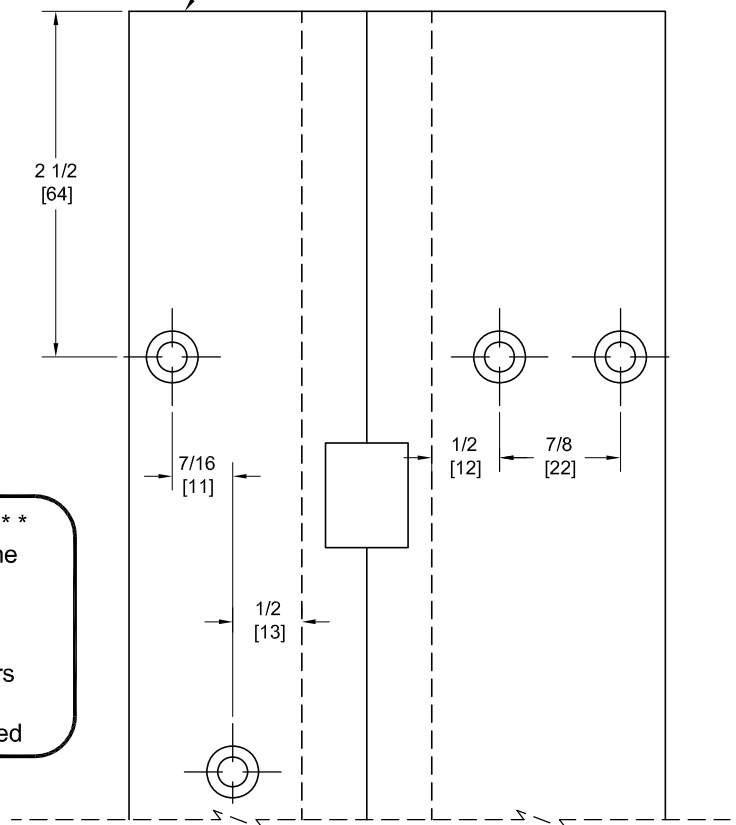


SPECIAL ORDER:
79" HOLE PATTERN

Minimum of 50 Units/Order Is Required For This Hole Pattern. Lessor Quantity Will Be Cut Down From 83" Hinges. Refer to 83" Cut Down Instruction.



DO NOT SCALE



**** CAUTION ****
Due To Frame Installation Variations, Pre-drilling For Fasteners Is Not Recommended

PEMCO Template Full Mortise Continuous Geared Aluminum Hinges CSPFM79SLF/DSPFM79SLF are made to conform to this drawing. PEMCO CSPFM79SLF/DSPFM79SLF hinges can be supplied with Electric Functions - See Electrical Application Section. Machine Screw Size - No. 12-24 x 7/16 FHUC Thread-forming. PEMCO Continuous Geared Aluminum Hinges are Listed for fire applications up to 90 minutes without special preparation.

Concealed Circuit (CC) Application

SEE ELECTRICAL APPLICATION SECTION
IN TECHNICAL MANUAL

Magnetic Monitor (MM) Application

SEE ELECTRICAL APPLICATION SECTION
IN TECHNICAL MANUAL

Effective Date: November 2003

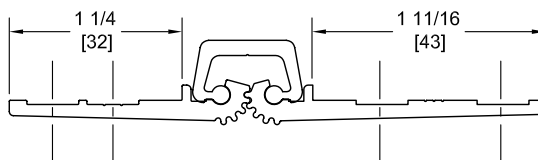
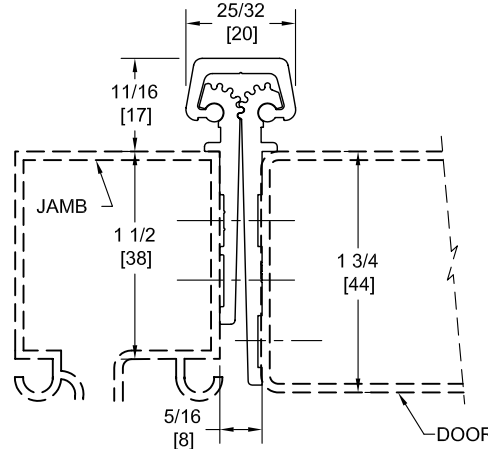
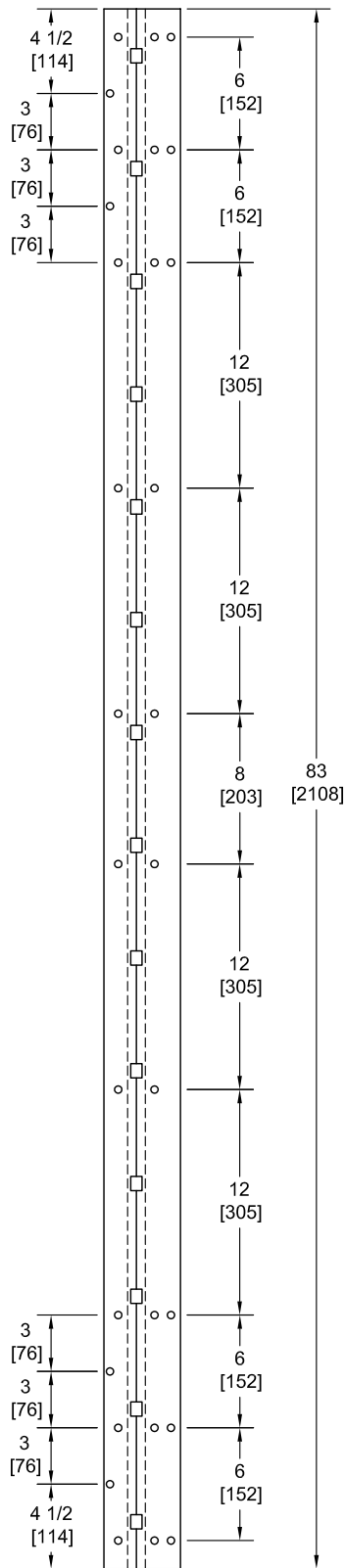
SPFM83SLF

TEMPLATE FULL MORTISE CONTINUOUS GEARED ALUMINUM HINGE

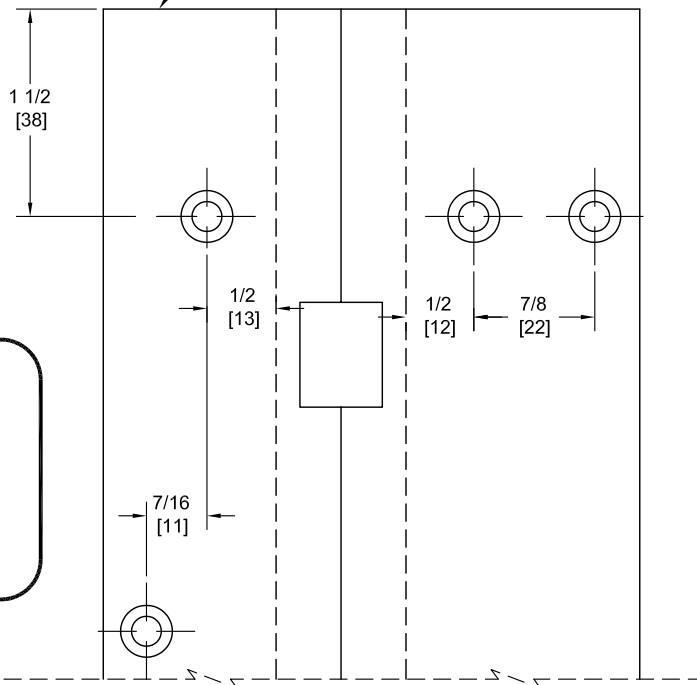


Fire Rated
Classified & Listed to meet the requirements of Standards UL10B, UL10C, UBC7-2, Part I & BS476

POSITIVE PRESSURE



TOP DO NOT SCALE



**** CAUTION ****
Due To Frame Installation Variations, Pre-drilling For Fasteners Is Not Recommended

PEMKO Template Full Mortise Continuous Geared Aluminum Hinges CSPFM83SLF/DSPFM83SLF are made to conform to this drawing. PEMKO CSPFM83SLF/DSPFM83SLF hinges can be supplied with Electric Functions - See Electrical Application Section. Machine Screw Size - No. 12-24 x 7/16 FHUC Thread-forming. PEMKO Continuous Geared Aluminum Hinges are Listed for fire applications up to 90 minutes without special preparation.

Concealed Circuit (CC) Application

SEE ELECTRICAL APPLICATION SECTION
IN TECHNICAL MANUAL

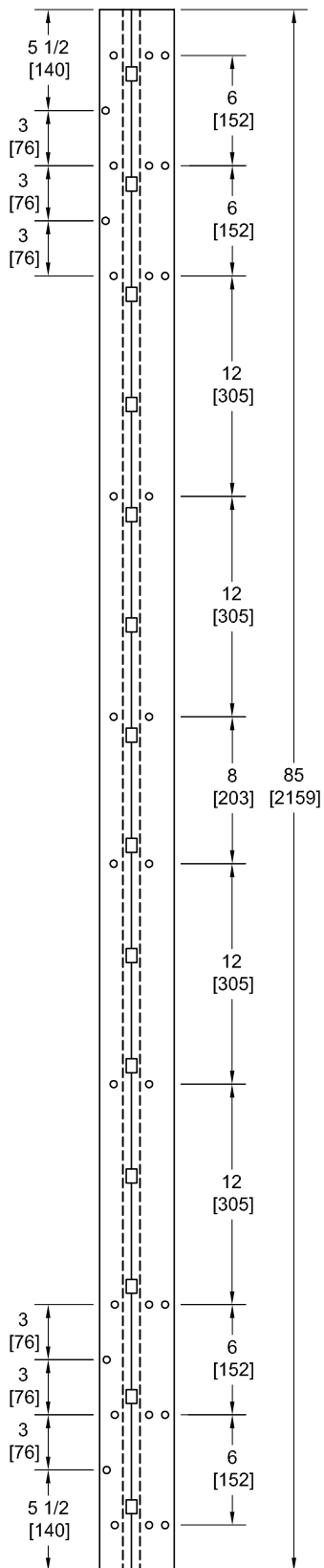
Magnetic Monitor (MM) Application

SEE ELECTRICAL APPLICATION SECTION
IN TECHNICAL MANUAL

Effective Date: November 2003

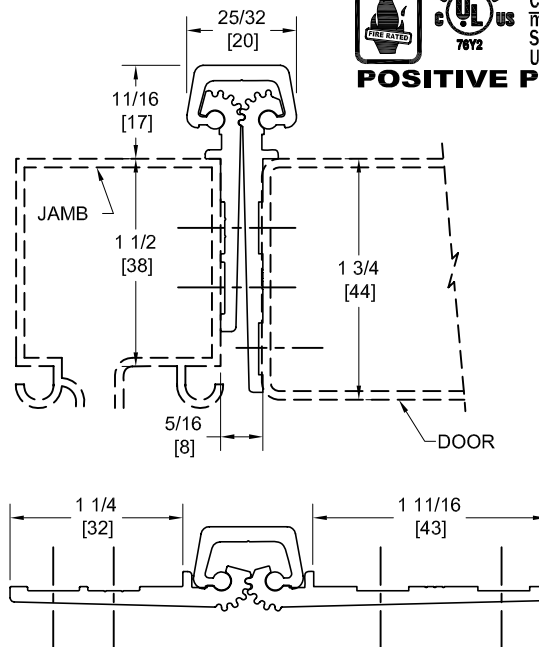
SPFM85SLF

TEMPLATE FULL MORTISE CONTINUOUS GEARED ALUMINUM HINGE

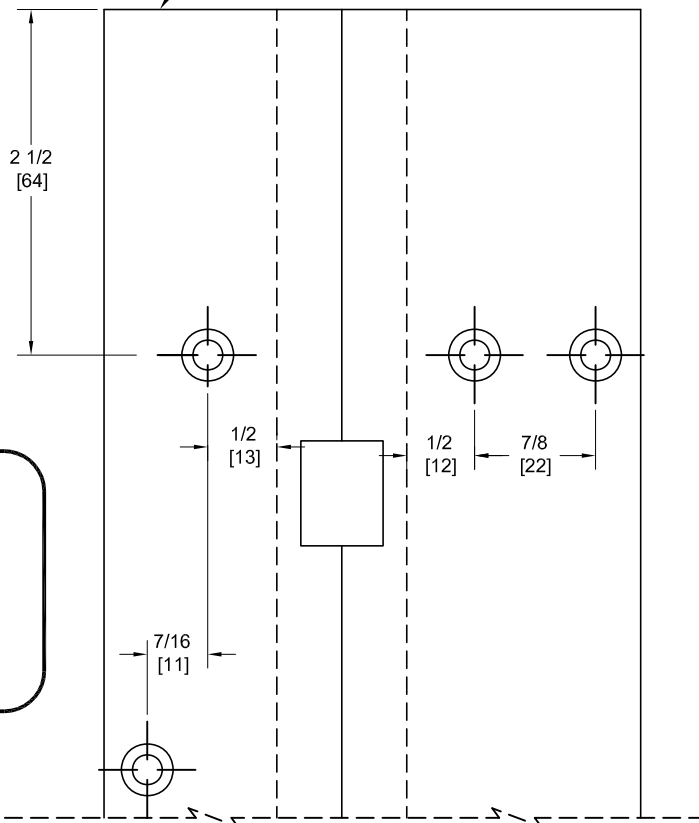


Fire Rated
Classified & Listed to meet the requirements of Standards UL10B, UL10C, UBC7-2, Part I & BS476

POSITIVE PRESSURE



DO NOT SCALE



**** CAUTION ****
Due To Frame Installation Variations, Pre-drilling For Fasteners Is Not Recommended

PEMKO Template Full Mortise Continuous Geared Aluminum Hinges CSPFM85SLF/DSPFM85SLF are made to conform to this drawing. PEMKO CSPFM85SLF/DSPFM85SLF hinges can be supplied with Electric Functions - See Electrical Application Section. Machine Screw Size - No. 12-24 x 7/16 FHUC Thread-forming. PEMKO Continuous Geared Aluminum Hinges are Listed for fire applications up to 90 minutes without special preparation.

Manufacturer reserves the right to make changes without formal notice.

Concealed Circuit (CC) Application

SEE ELECTRICAL APPLICATION SECTION
IN TECHNICAL MANUAL

Magnetic Monitor (MM) Application

SEE ELECTRICAL APPLICATION SECTION
IN TECHNICAL MANUAL

Effective Date: November 2003

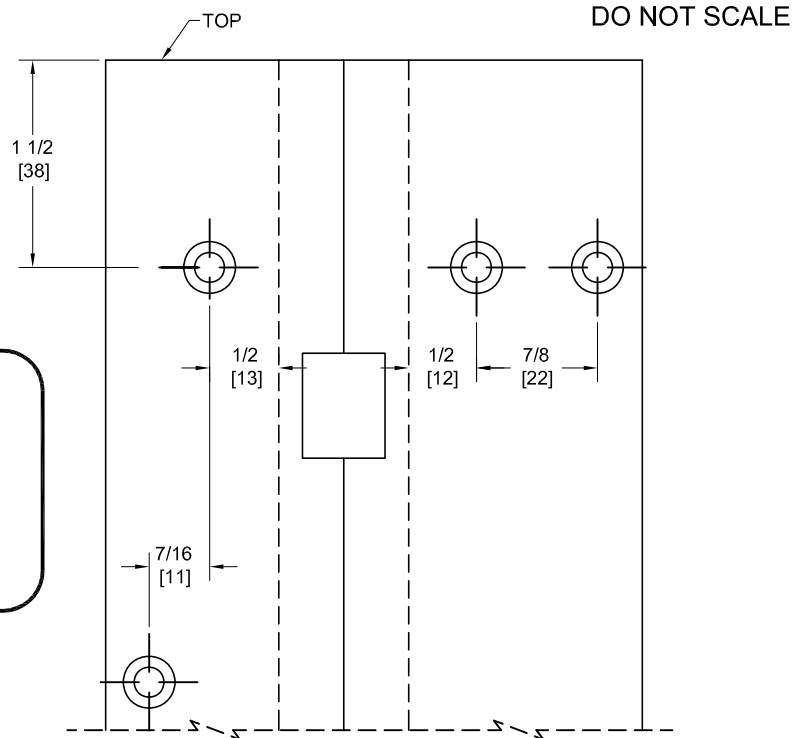
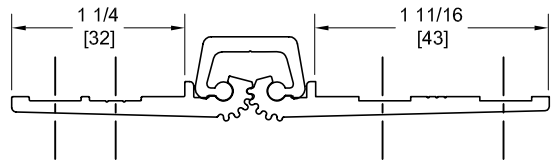
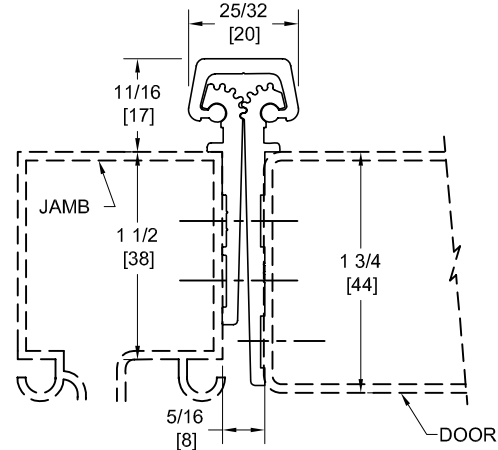
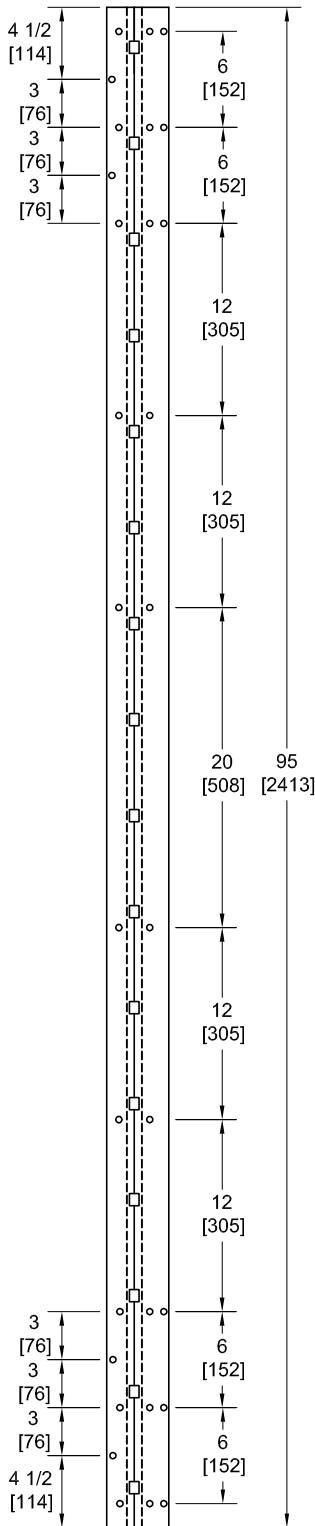
SPFM95SLF

TEMPLATE FULL MORTISE CONTINUOUS GEARED ALUMINUM HINGE



Fire Rated
Classified & Listed to
meet the requirements of
Standards UL10B, UL10C,
UBC7-2, Part I & BS476

POSITIVE PRESSURE



**** CAUTION ****
Due To Frame
Installation
Variations,
Pre-drilling
For Fasteners
Is Not
Recommended

PEMKO Template Full Mortise Continuous Geared Aluminum Hinges CSPFM95SLF/DSPFM95SLF are made to conform to this drawing. PEMKO CSPFM95SLF/DSPFM95SLF hinges can be supplied with Electric Functions - See Electrical Application Section. Machine Screw Size - No. 12-24 x 7/16 FHUC Thread-forming. PEMKO Continuous Geared Aluminum Hinges are Listed for fire applications up to 90 minutes without special preparation.

Concealed Circuit (CC) Application

SEE ELECTRICAL APPLICATION SECTION
IN TECHNICAL MANUAL

Magnetic Monitor (MM) Application

SEE ELECTRICAL APPLICATION SECTION
IN TECHNICAL MANUAL

Effective Date: November 2003

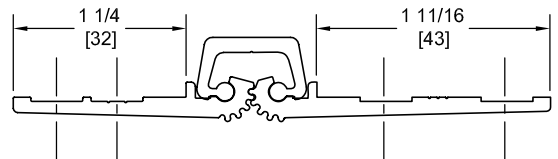
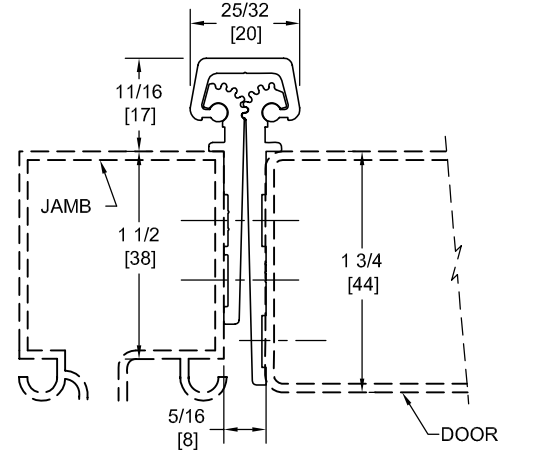
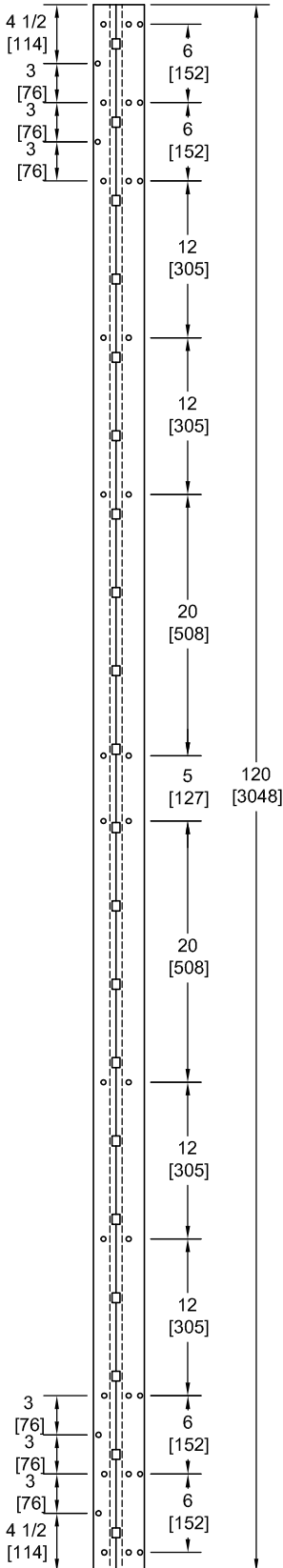
SPFM120SLF

TEMPLATE FULL SURFACE CONTINUOUS GEARED ALUMINUM HINGE



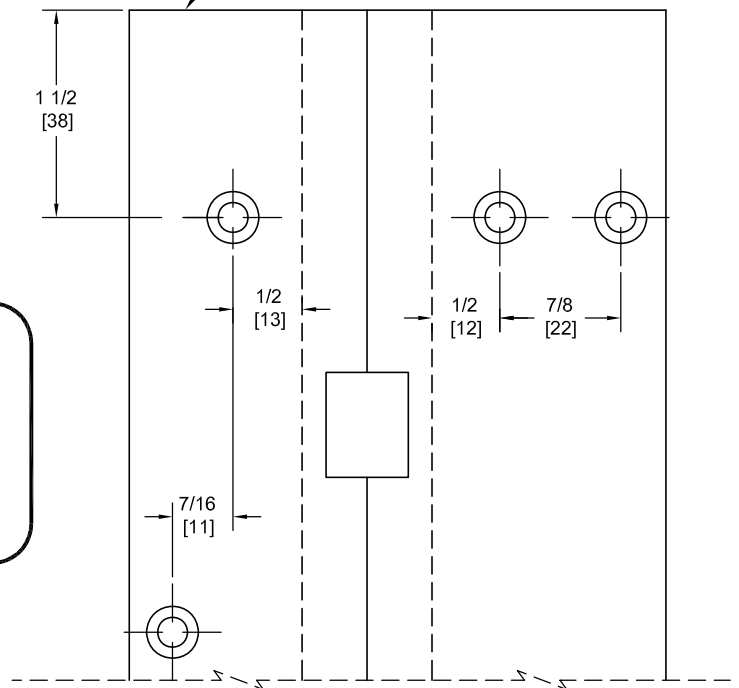
Fire Rated
Classified & Listed to
meet the requirements of
Standards UL10B, UL10C,
UBC7-2, Part I & BS476

POSITIVE PRESSURE



TOP

DO NOT SCALE



**** CAUTION ****
Due To Frame
Installation
Variations,
Pre-drilling
For Fasteners
Is Not
Recommended

PEMKO Template Full Mortise Continuous Geared Aluminum Hinges CSPFM120SLF/DSPFM120SLF are made to conform to this drawing.
PEMKO CSPFM120SLF/DSPFM120SLF hinges can be supplied with Electric Functions - See Electrical Application Section.
Machine Screw Size - No. 12-24 x 7/16 FHUC Thread-forming.
PEMKO Continuous Geared Aluminum Hinges are Listed for fire applications up to 90 minutes without special preparation.

Manufacturer reserves the right to make changes without formal notice.

Concealed Circuit (CC) Application

SEE ELECTRICAL APPLICATION SECTION
IN TECHNICAL MANUAL

Magnetic Monitor (MM) Application

SEE ELECTRICAL APPLICATION SECTION
IN TECHNICAL MANUAL