

**JUNIOR PUSH-BUTTON OPERATED  
WHITE ABS**

Code: **M88**

### General Description

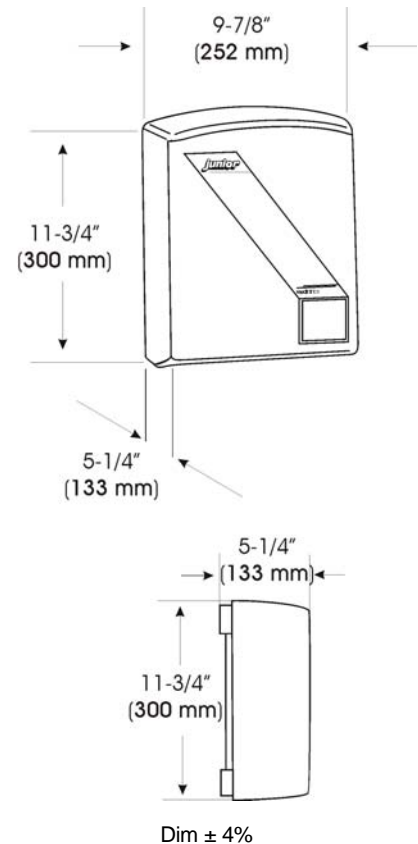
- Warm air hand dryer.
- Push-button operated.
- Suitable for medium traffic facilities.
- Compact, maintenance-free.
- Highest durability in its class.
- It normally goes along with a soap dispenser.

### Components & Materials

- White ABS thermoplastic one-piece cover, 1/8" (3 mm) thick. Cover fixed to the base by means of 4 Phillips head screws.
- Engineering thermoplastic PP base, with 4 Ø 5/64" (8 mm) holes for wall mounting.
- Motor, induction, 3,300 rpm (at 60 Hz), maintenance-free and high durability, incorporates a safety thermostat.
- PP UL94-VO single inlet fan wheel.
- Waved wire NiCr resistor that incorporates a safety thermostat.
- Push-button activates an electronic timer, with a 45 seconds cycle.
- Stainless steel air outlet grill.

### Technical Specifications

Voltage	110-120 V	Total power	1,300 W
Frequency	50/ 60 Hz	Motor power	1/7 hp
Electrical isolation	Grounding required	Heating element power	1,200 W
Dimensions	9-7/8"W x 11-3/4"H x 5-1/4"D	Consumption	11 A
Weight	6.6 Lbs.	r.p.m.	3,300
Effective airflow	111 CFM	Air temp. (at 4" distance / 70 °F)	123.8 °F
Nominal airflow	139 CFM	Drying time	45 sec
Air velocity	3,872 LFM	Noise level (at 79")	60 dB



### Operation

Press the Push-button to initiate the drying process. The dryer will go on with no interruption for 45 seconds.

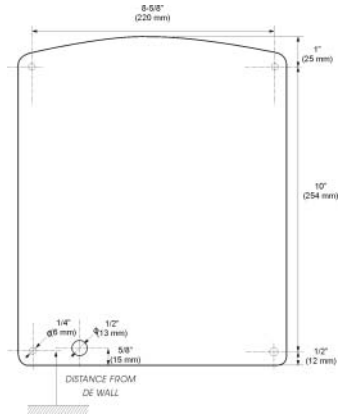
### Installation

Screws are included. Please refer to [Back](#)

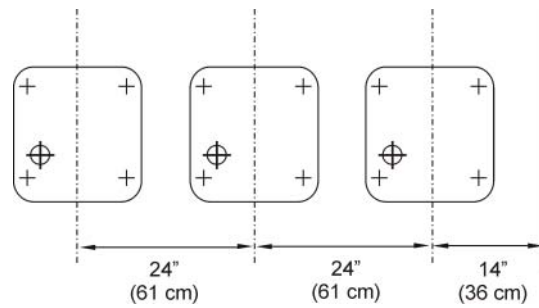
### Certificates & Qualifications

UL comply with UL499 norm.

## MOUNTING



## SERIAL MOUNTING



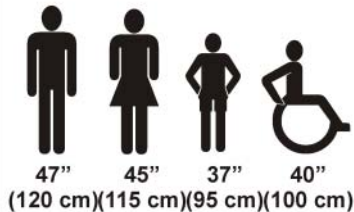
### Nº dryers to be fitted

In toilet areas with a normal frequency of use and only one wash-basin: 1 dryer.  
 In toilet areas with a normal frequency of use and more than one wash-basin: 1 dryer for each 2 wash-basins.  
 1 row of 4 wash basins: 2 dryers; 1 row of 6 wash basins: 3 dryers; 1 row of 8 wash basins: 4 dryers.  
 In toilet areas with high traffic and more than one wash-basin: 2 dryers for each 3 wash-basins.  
 1 row of 4 wash basins: 3 dryers; 1 row of 6 wash basins: 4 dryers; 1 row of 8 wash basins: 5 dryers.

### Ideal location

Between the wash-basin and exit. It is not recommended to install dryer between wash-basins, next to urinals, lavatories and showers. If installing automatic dryers over marble surface or ledge, the minimum distance from the dryer to the ledge must be 15-3/4. It is recommended that hand dryers be distributed throughout the washroom area to avoid overcrowding.

H = Distancia al suelo  
 H = Distance from floor  
 H = Hauteur par rapport au sol  
 H = Abstand vom Boden



## RECOMENDED HEIGHTS DISTANCE FROM THE FLOOR

### Specification

Surface mounted hand dryer shall be fabricated with one-piece 1/8" thick thermoplastic ABS UL94-5V cover. The back base shall be thermoplastic ABS UL94-5V and with 4 holes for wall mounting. The dryer shall be activated using the push button that activates an electromechanical timer with a 45 seconds cycle before switching dryer off automatically. The induction motor shall be 1/7 hp, 3,300 r.p.m.(at 60 Hz) and incorporate a temperature limiter which switch off at 266 °F (130°C). The waved wire NiCr heating element should incorporate a thermal limiter, which will switch off by a temperature of 176 °F (80°C.). The PP UL94-V0 fan should have a single inlet and the fan scroll shall be made of thermoplastic ABS UL94-5V. Dryer shall deliver 139 CFM of air at 123.8 °F (51 °C) and 3,872 LFM velocity during user controlled drying cycle. The dryer shall have a total power of 1,300 Watts with a consumption of 11A. Noise level should be 60 dB. Overall dimensions shall be 9-7/8"W x 11-3/4"H x 5-1/4"D.

Surface-Mounted Hand Dryer shall be Model M88 of Saniflow Corporation, 2655 Le Jeune Road Suite 810, Coral Gables, FL 33134

**Saniflow Corp reserves the right to make changes and/or modifications to the products and their specifications without warning or notice.**

Revision 04-2004

© SANIFLOW Corp.