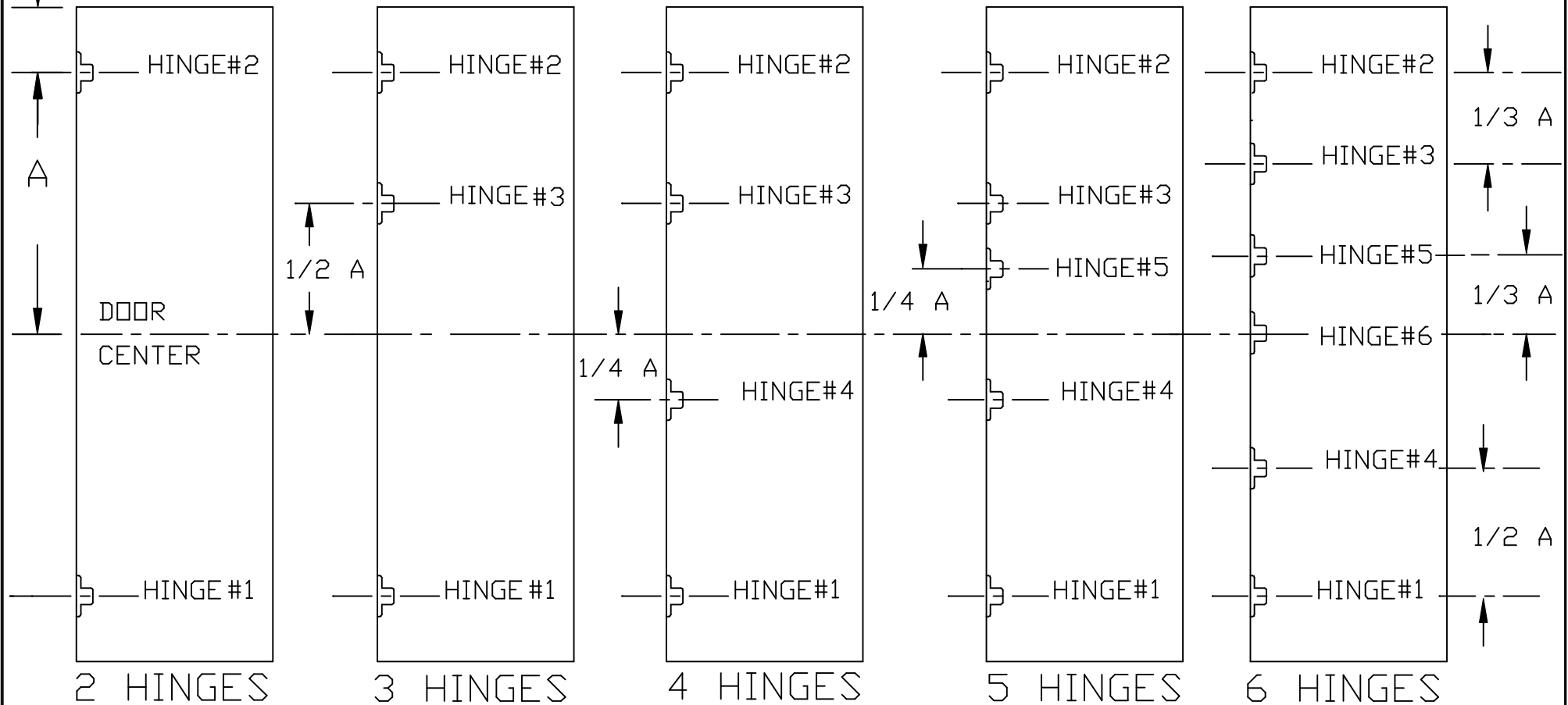


SOSS OFFERS A ROUTER GUIDE SYSTEM WHERE ONE SETUP PROVIDES FAST ACCURATE MORTISING ON BOTH DOOR AND FRAME. SEE TITLE BLOCK FOR ROUTER GUIDE PART NUMBERS FOR EACH SIZE HINGE.

8 TO 10 INCHES FROM END (BOTH TOP AND BOTTOM HINGE)



SEE CATALOG NOMOGRAPH TO DETERMINE THE NUMBER OF HINGES REQUIRED FOR A DOOR OF KNOWN WEIGHT AND HEIGHT.

LOCATION IS NOT CRITICAL ON DOORS REQUIRING MORE THAN 7 HINGES. LOCATE MOST HINGES IN THE TOP HALF OF THE DOOR.

**UIP**

© Copyright 1998  
 Universal Industrial Products Co. Inc.  
 One Coreway Drive  
 Pioneer, Ohio 43554-0628

SOSS INVISIBLE HINGE

NAME  
 VERTICAL HINGE LOCATION ON DOOR

SCALE: NOT TO SCALE
DATE: 4/8/98
DRAWN BY: R. SEIGNEUR
CHECKED BY:
ROUTER GUIDE SYSTEMS #216 - PART# 216RG4 #218 - PART# 218RG4 #220 - PART# 220RG4 #418 - PART# 418RG4
DRAWING # 4440-C